



Commercial By Havit

Issue 4.0



Tel: 02 9381 8383

Email: sales@havitcommercial.com.au

web: www.HavitCommercial.com.au

Address:

8/133 Beauchamp Road

Matraville NSW 2036

Australia

Postal:

PO Box 787

Matraville NSW 2036

Australia

All images and information in this publication are a guide to the displayed product and should be checked at www.HavitCommercial.com.au prior to purchase. Information is subject to change without notification at the discretion of Havit Commercial.

For further information please contact the team at Havit Commercial Pty Ltd.

Although Havit Commercial will make every effort to supply the globe shown, another globe may be supplied if models change or a globe is not available.

For information about our warranty visit: www.HavitCommercial.com.au

 @HavitCommercial

 @HavitCommercial

 @HavitLighting





HAVIT

COMMERCIAL



For extended product specifications, new products and other information visit www.HavitCommercial.com.au/more or scan this QR code



1. TRACK LIGHTING	2-35
2. SPOT LIGHTS	36-47
3. LED PANELS	48-51
4. OUTDOOR WALL LIGHTS.....	52-57
5. RECESSED STEP LIGHTS	58-63
6. WALL WASHERS	64-71
7. LED BATTENS.....	72-73
8. GARDEN LIGHTS	74-83
9. INGROUND LIGHTS	84-89
10. BOLLARDS	90-93
11. DECK LIGHTS	94-97
12. LED STRIP LIGHTS.....	98-148
13. LED SHEETS	149-151
14. ALUMINIUM PROFILE	152-207
15. LED DRIVERS	208-215
16. LED STRIP CONTROLLERS.	216-237
17. PROLINE PENDANTS.....	238-265
18. LED DOWNLIGHTS	266-335
19. PENDANTS.....	336-339
20. EMERGENCY LIGHTS	340-345
21. WARRANTY.....	346-347
22. RATINGS GUIDE & NOTES..	348-353

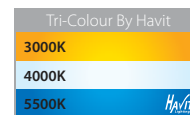
9IN1 SINGLE CIRCUIT TRACK HEADS





PRODUCT DATA

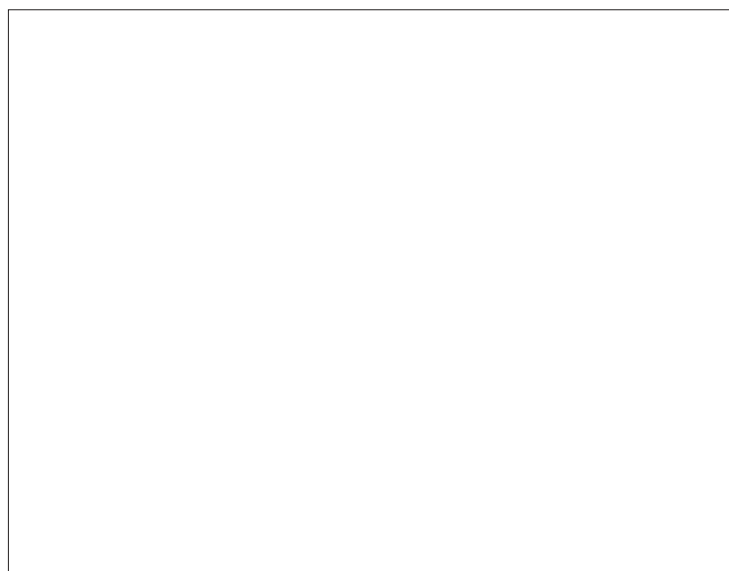
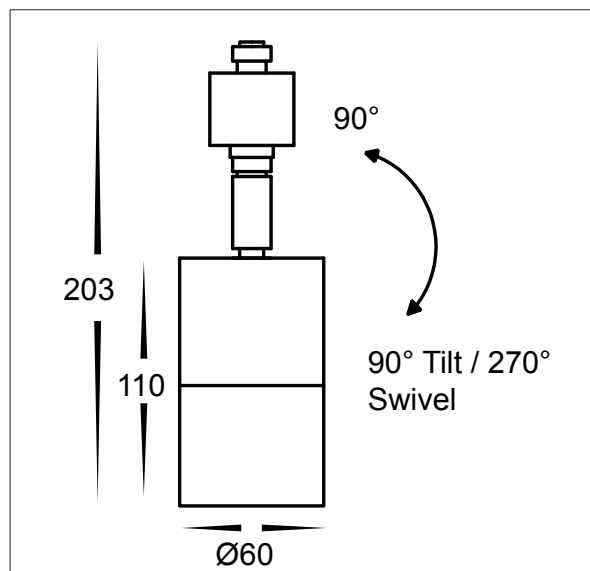
SINGLE CIRCUIT TRACK LIGHT	
MATERIAL	ALUMINIUM
COLOUR/FINISH	MATT BLACK OR MATT WHITE
COLOUR TEMP	3000K 4000K 5500K (TRI-COLOUR)
LUMEN OUTPUT	240LM-560LM 255LM-595LM 270LM-630LM
INPUT VOLTAGE	240V AC
BUILT-IN LED	9 IN 1 LED 3/5/7W GU10
DIMMING	TRIAC
CRI	RA >80
BEAM ANGLE	60°
IP RATING	IP20

PRODUCT ORDERING

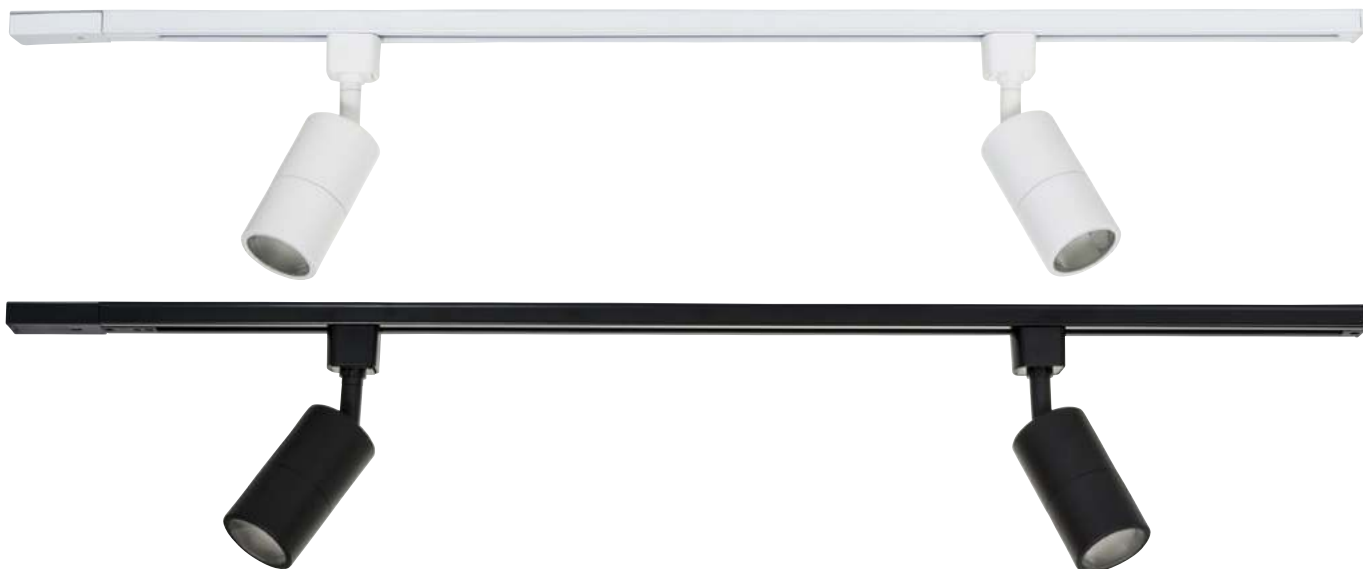


ALUMINIUM BLACK				
	HCP-1021000	9 in 1 LED 3/5/7w	3000K 4000K 5500K	240-560LM 255-595LM 270-630LM
ALUMINIUM WHITE				
	HCP-1031000	9 in 1 LED 3/5/7w	3000K 4000K 5500K	240-560LM 255-595LM 270-630LM

OTHER DATA



2 LIGHT 9IN1 SINGLE CIRCUIT TRACK LIGHT KIT



Tri-Colour By Havit	
3000K	Havit
4000K	
5500K	

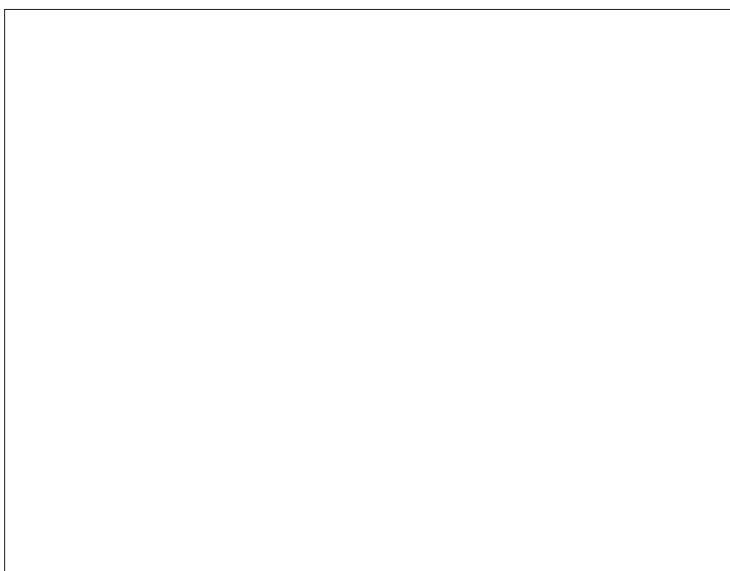
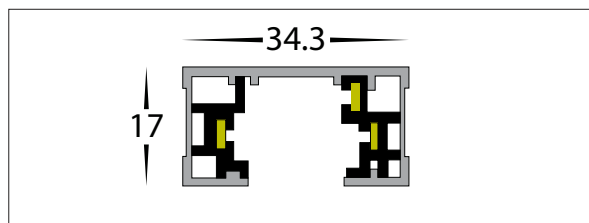
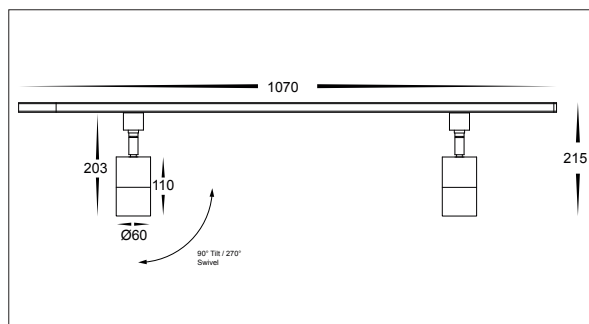
PRODUCT DATA

1M TRACK LIGHT KIT	
MATERIAL	ALUMINIUM
COLOUR/FINISH	MATT BLACK OR MATT WHITE
COLOUR TEMP	3000K 4000K 5500K (TRI-COLOUR)
LUMEN OUTPUT	240LM-560LM 255LM-595LM 270LM-630LM
INPUT VOLTAGE	240V AC
BUILT-IN LED	2X 9 IN 1 LED 3/5/7W GU10
DIMMING	TRIAC
CRI	RA >80
BEAM ANGLE	60°
IP RATING	IP20

PRODUCT ORDERING

ALUMINIUM BLACK				
	HCP-1021002	9 in 1 LED 3/5/7w	3000K 4000K 5500K	240-560LM 255-595LM 270-630LM (PER LIGHT)
ALUMINIUM WHITE				
	HCP-1031002	9 in 1 LED 3/5/7w	3000K 4000K 5500K	240-560LM 255-595LM 270-630LM (PER LIGHT)

OTHER DATA



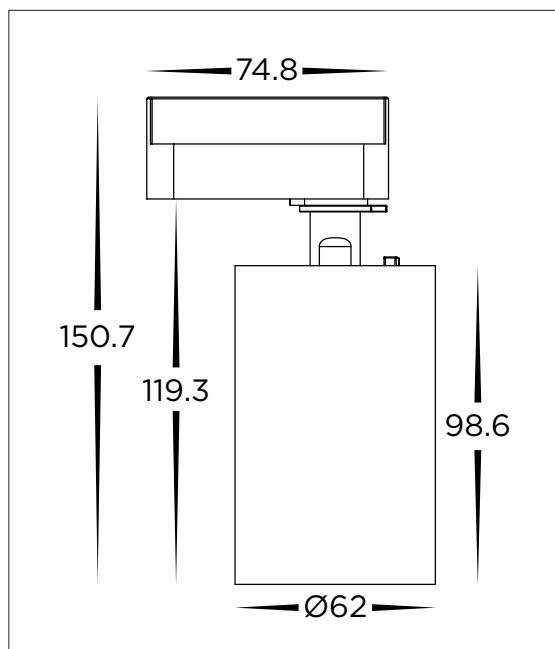
12W SINGLE CIRCUIT TRACK HEADS





PRODUCT DATA






SINGLE CIRCUIT TRACK LIGHT	
MATERIAL	ALUMINIUM + PLASTIC
COLOUR/FINISH	MATT BLACK OR MATT WHITE
COLOUR TEMP	2700K 3000K 4000K 5000K 5700K
LUMEN OUTPUT	747LM 778LM 856LM 923LM 970LM
INPUT VOLTAGE	240V AC
BUILT-IN LED	12W
DIMMING	TRIAC
CRI	RA >90
BEAM ANGLE	60°
IP RATING	IP20

OTHER DATA

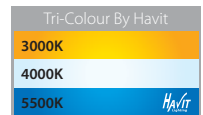


PRODUCT ORDERING

ALUMINIUM BLACK				
	HCP-1021201	12W LED	2700K 3000K 4000K 5000K 5700K	747LM 778LM 856LM 923LM 970LM
ALUMINIUM WHITE				
	HCP-1031201	12W LED	2700K 3000K 4000K 5000K 5700K	747LM 778LM 856LM 923LM 970LM

OPTIONAL ACCESSORIES		
	HCP-105006-BR	BLACK INSERT
	HCP-105006-CR	CHROME INSERT
	HCP-105006-GR	GOLD INSERT
	HCP-105006-15	15° LENS
	HCP-105006-24	24° LENS
	HCP-105006-36	36° LENS
	HCP-105006-HC	HONEYCOMB LENS







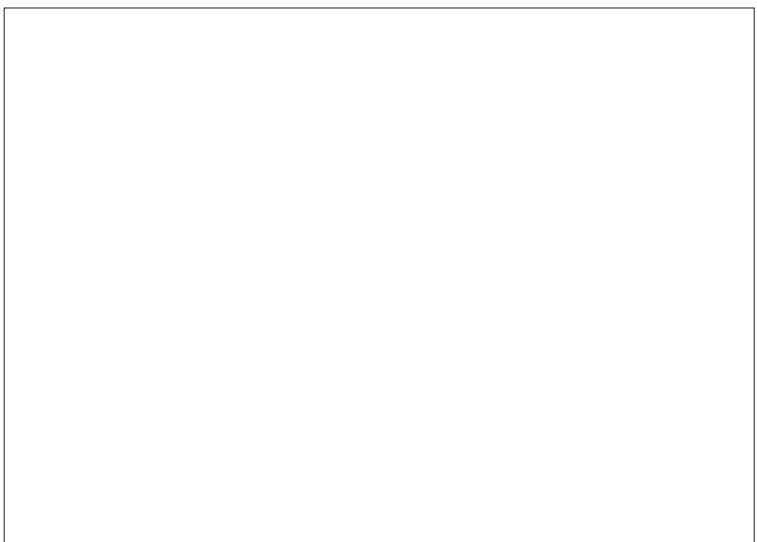
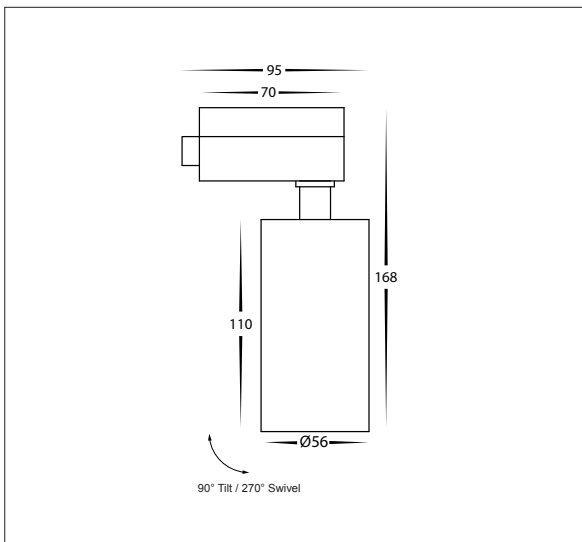
PRODUCT DATA

SINGLE CIRCUIT TRACK LIGHT	
MATERIAL	ALUMINIUM
COLOUR/FINISH	MATT BLACK OR MATT WHITE
COLOUR TEMP	3000K 4000K 5500K (TRI-COLOUR)
LUMEN OUTPUT	423LM 473LM 475LM
INPUT VOLTAGE	240V
BUILT-IN LED	9W
DIMMING	TRIAC
CRI	90+
BEAM ANGLE	60°
IP RATING	IP20

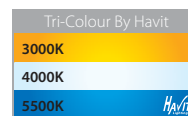
PRODUCT ORDERING

ALUMINIUM BLACK				
	HCP-1020901	9w LED	3000K 4000K 5500K	423LM 473LM 475LM
ALUMINIUM WHITE				
	HCP-1030901	9w LED	3000K 4000K 5500K	423LM 473LM 475LM

OTHER DATA



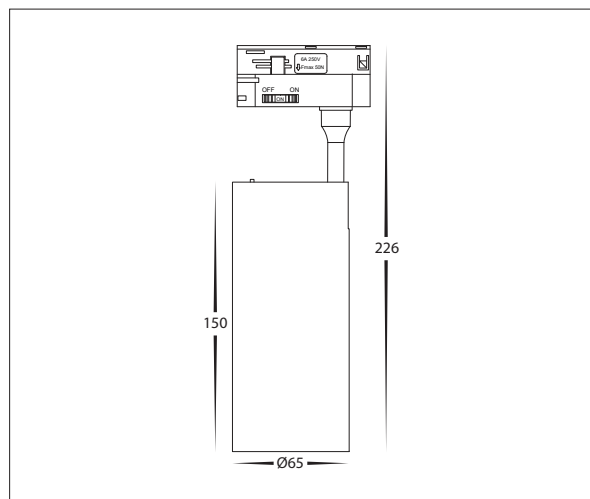
20W SINGLE CIRCUIT TRACK HEADS





PRODUCT DATA



SINGLE CIRCUIT TRACK LIGHT	
MATERIAL	ALUMINIUM + PLASTIC
COLOUR/FINISH	MATT BLACK OR MATT WHITE
COLOUR TEMP	3000K 4000K 5500K (TRI-COLOUR)
LUMEN OUTPUT	1170M 1265LM 1280LM
INPUT VOLTAGE	240V AC
BUILT-IN LED	20W
DIMMING	TRIAC
CRI	90+
BEAM ANGLE	60°
IP RATING	IP20

OTHER DATA



PRODUCT ORDERING

ALUMINIUM BLACK				
	HCP-1022001	20w LED	3000K 4000K 5500K	1170LM 1265LM 1280LM
ALUMINIUM WHITE				
	HCP-1032001	20w LED	3000K 4000K 5500K	1170LM 1265LM 1280LM

OPTIONAL ACCESSORIES		
	HCP-105004-BR	BLACK INSERT WITH HONEYCOMB
	HCP-105004-GR	GOLD INSERT WITH HONEYCOMB
	HCP-105004-15	15° LENS
	HCP-105004-24	24° LENS
	HCP-105004-36	36° LENS



30W SINGLE CIRCUIT TRACK HEADS



Tri-Colour By Havit	
3000K	
4000K	
5500K	

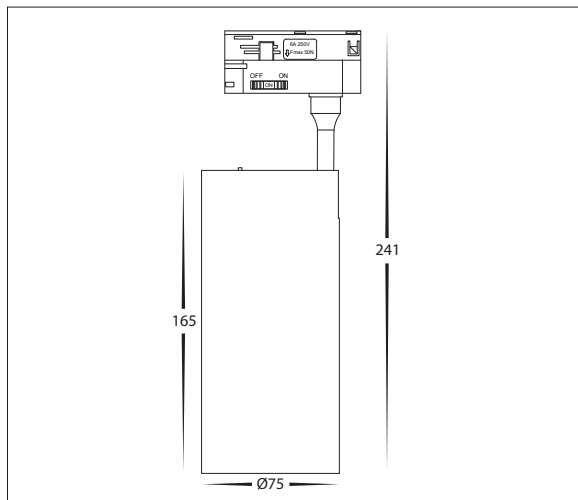
PRODUCT DATA

SINGLE CIRCUIT TRACK LIGHT	
MATERIAL	ALUMINIUM + PLASTIC
COLOUR/FINISH	MATT BLACK OR MATT WHITE
COLOUR TEMP	3000K 4000K 5500K (TRI-COLOUR)
LUMEN OUTPUT	2090LM 2310LM 2350LM
INPUT VOLTAGE	240V
BUILT-IN LED	30W
DIMMING	TRIAC
CRI	90+
BEAM ANGLE	60°
IP RATING	IP20

PRODUCT ORDERING

ALUMINIUM BLACK				
	HCP-1023001	30w LED	3000K 4000K 5500K	2090LM 2310LM 2350LM
ALUMINIUM WHITE				
	HCP-1033001	30w LED	3000K 4000K 5500K	2090LM 2310LM 2350LM

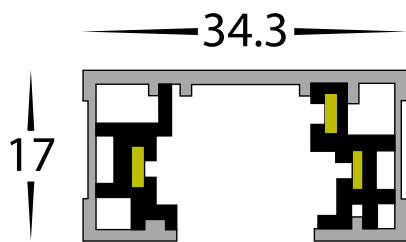
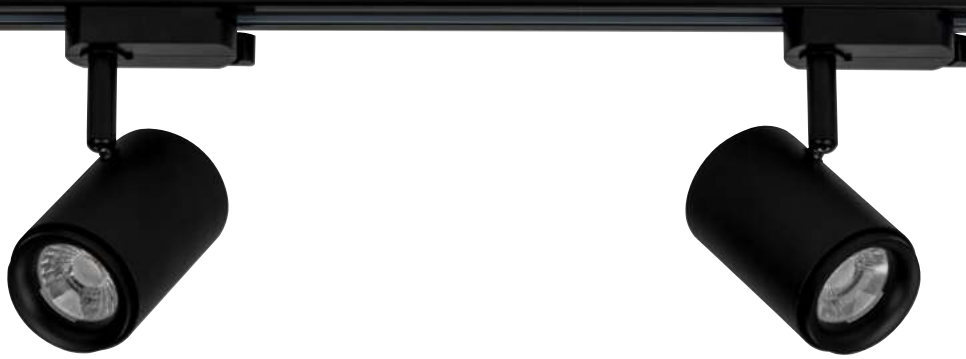
OTHER DATA



OPTIONAL ACCESSORIES		
	HCP-105005-BR	BLACK INSERT WITH HONEYCOMB
	HCP-105005-GR	GOLD INSERT WITH HONEYCOMB
	HCP-105005-15	15° LENS
	HCP-105005-24	24° LENS
	HCP-105005-36	36° LENS


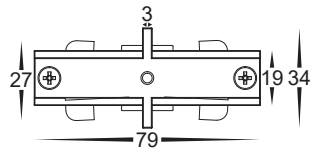

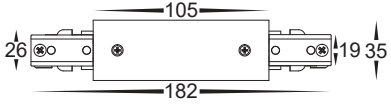

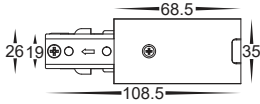


BLACK SINGLE CIRCUIT TRACK & CONNECTORS


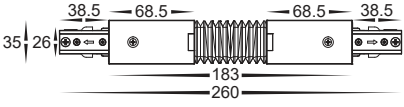

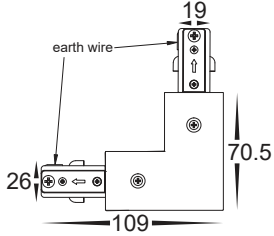

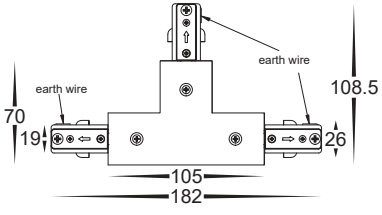

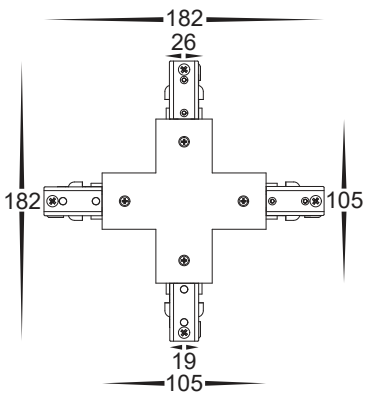


SINGLE CIRCUIT TRACK SYSTEM	
MATERIAL	ALUMINIUM
COLOUR/FINISH	MATT BLACK
INPUT VOLTAGE	240V AC
TRACK SYSTEM	SINGLE CIRCUIT
IP RATING	IP20

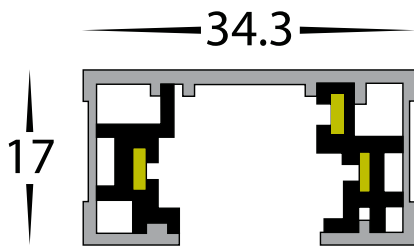
SINGLE CIRCUIT TRACK	
HCP-102110	1 METRE LENGTH INC. LIVE END
HCP-102120	2 METRE LENGTH INC. LIVE END
HCP-102130	3 METRE LENGTH INC. LIVE END

SINGLE CIRCUIT CONNECTORS			
	HCP-102100-SJ	STRAIGHT JOINER	
	HCP-102100-CF	CENTRE FEED	
	HCP-102100-LE	LIVE END	

SINGLE CIRCUIT CONNECTORS

	<p>HCP-102100-FC</p>	<p>FLEXIBLE JOINER</p>	
	<p>HCP-102100-LSC</p>	<p>L-SHAPE JOINER</p>	
	<p>HCP-102100-TSC</p>	<p>T-SHAPE JOINER</p>	
	<p>HCP-102100-XSC</p>	<p>X-SHAPE JOINER</p>	


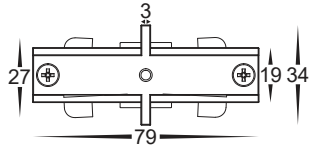

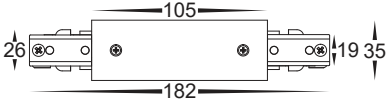

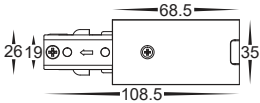
WHITE SINGLE CIRCUIT TRACK & CONNECTORS




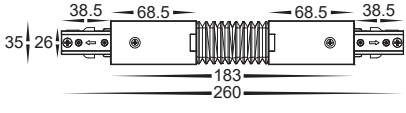
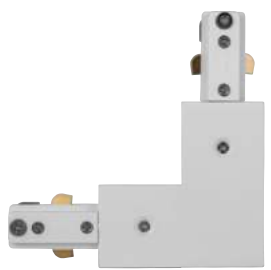
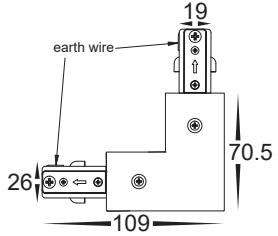
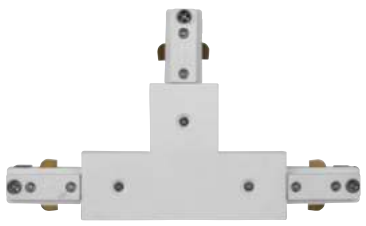
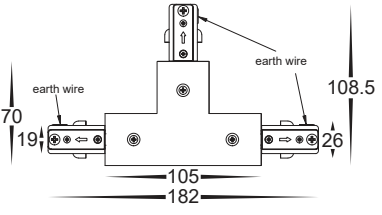
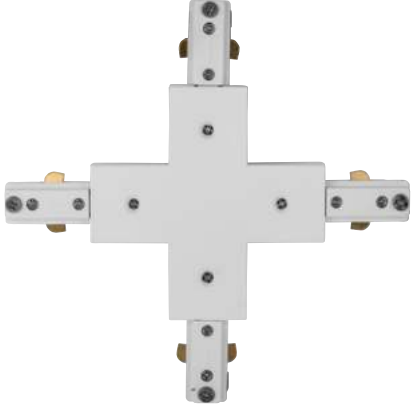
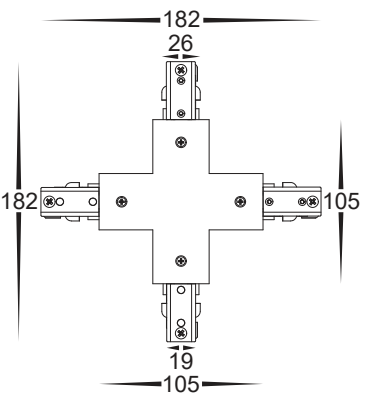
SINGLE CIRCUIT TRACK SYSTEM	
MATERIAL	ALUMINIUM
COLOUR/FINISH	MATT WHITE
INPUT VOLTAGE	240V AC
TRACK SYSTEM	SINGLE CIRCUIT
IP RATING	IP20

SINGLE CIRCUIT TRACK	
HCP-103110	1 METRE LENGTH INC. LIVE END
HCP-103120	2 METRE LENGTH INC. LIVE END
HCP-103130	3 METRE LENGTH INC. LIVE END

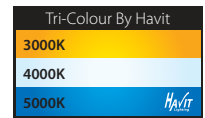
SINGLE CIRCUIT CONNECTORS

	HCP-103100-SJ	STRAIGHT JOINER	
	HCP-103100-CF	CENTRE FEED	
	HCP-103100-LE	LIVE END	

SINGLE CIRCUIT CONNECTORS

	<p>HCP-103100-FC</p>	<p>FLEXIBLE JOINER</p>	
	<p>HCP-103100-LSC</p>	<p>L-SHAPE JOINER</p>	
	<p>HCP-103100-TSC</p>	<p>T-SHAPE JOINER</p>	
	<p>HCP-103100-XSC</p>	<p>X-SHAPE JOINER</p>	



6W OR 9W THREE CIRCUIT TRACK HEADS



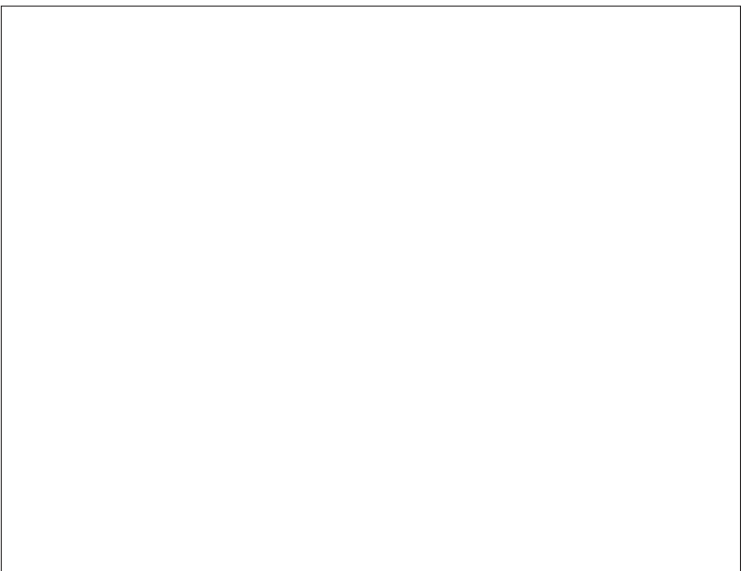
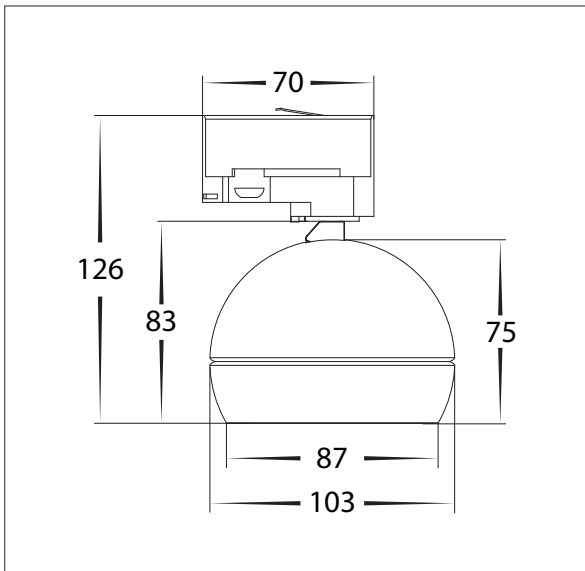
PRODUCT DATA

THREE CIRCUIT TRACK LIGHT	
MATERIAL	ALUMINIUM + PLASTIC
COLOUR/FINISH	MATT BLACK OR MATT WHITE
COLOUR TEMP	3000K 4000K 5000K (TRI-COLOUR)
LUMEN OUTPUT	630LM-874LM 668LM-943LM 663LM-921LM
INPUT VOLTAGE	240V
BUILT-IN LED	6W OR 9W LED
DIMMING	TRIAC
CRI	90+
BEAM ANGLE	60°
IP RATING	IP20

PRODUCT ORDERING

ALUMINIUM BLACK				
	HCP-1020911	6w-9w LED	3000K 4000K 5000K	630LM-874LM 668LM-943LM 663LM-921LM
ALUMINIUM WHITE				
	HCP-1030911	6w-9w LED	3000K 4000K 5000K	630LM-874LM 668LM-943LM 663LM-921LM

OTHER DATA



6W OR 9W THREE CIRCUIT TRACK HEADS

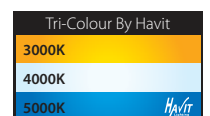
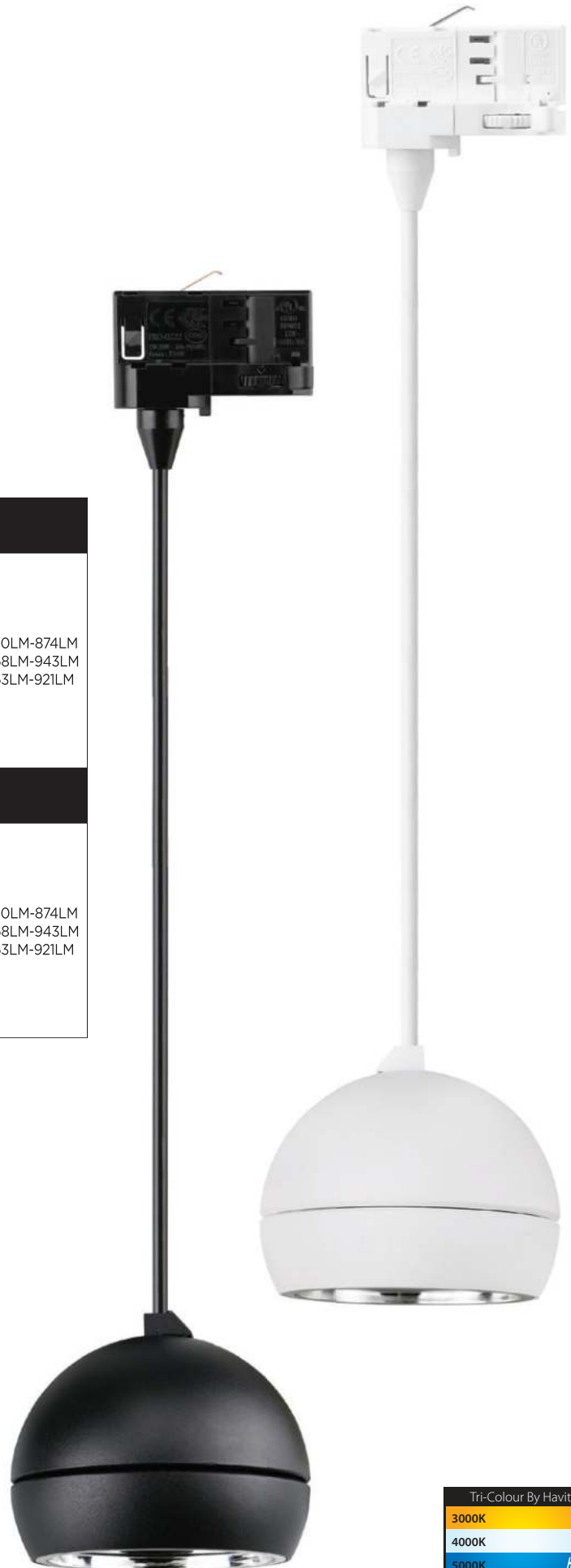
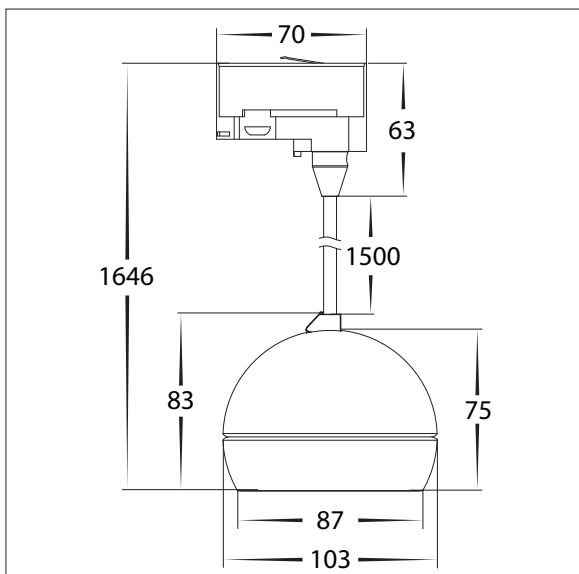
PRODUCT DATA

THREE CIRCUIT TRACK LIGHT	
MATERIAL	ALUMINIUM + PLASTIC
COLOUR/FINISH	MATT BLACK OR MATT WHITE
CABLE LENGTH	1500MM (ADJUSTABLE)
COLOUR TEMP	3000K 4000K 5000K (TRI-COLOUR)
LUMEN OUTPUT	630LM-874LM 668LM-943LM 663LM-921LM
INPUT VOLTAGE	240V
BUILT-IN LED	6W OR 9W LED
DIMMING	TRIAC
CRI	90+
BEAM ANGLE	60°
IP RATING	IP20

PRODUCT ORDERING

ALUMINIUM BLACK				
	HCP-1020921	6w-9w LED	3000K 4000K 5000K	630LM-874LM 668LM-943LM 663LM-921LM
ALUMINIUM WHITE				
	HCP-1030921	6w-9w LED	3000K 4000K 5000K	630LM-874LM 668LM-943LM 663LM-921LM

OTHER DATA

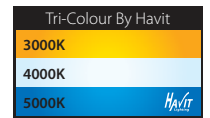


6W OR 9W THREE CIRCUIT TRACK HEADS



PRODUCT DATA

THREE CIRCUIT TRACK LIGHT	
MATERIAL	ALUMINIUM + PLASTIC
COLOUR/FINISH	MATT BLACK OR MATT WHITE
COLOUR TEMP	3000K 4000K 5000K (TRI-COLOUR)
LUMEN OUTPUT	630LM-874LM 668LM-943LM 663LM-921LM
INPUT VOLTAGE	240V AC
BUILT-IN LED	6W OR 9W LED
DIMMING	TRIAC
CRI	90+
BEAM ANGLE	60°
IP RATING	IP20

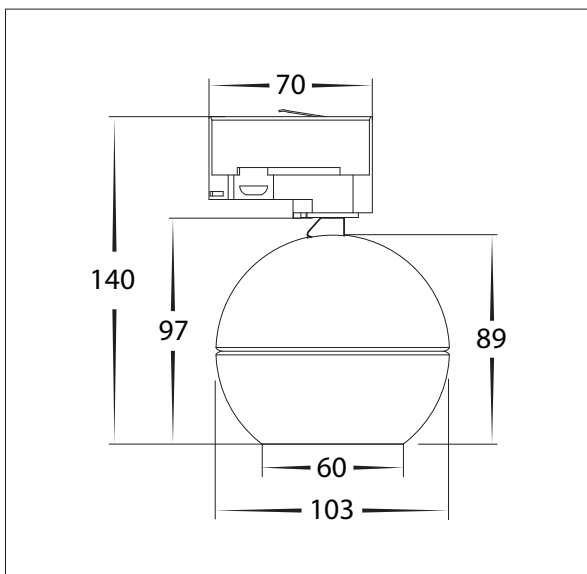


PRODUCT ORDERING

OPTIONAL ACCESSORIES		
	HCP-1050964-GR	GOLD INSERT
	HCP-1050964-CHR	CHROME INSERT
	HCP-1050964-BR	BLACK INSERT




ALUMINIUM BLACK				
	HCP-1020912	6W-9W LED	3000K 4000K 5000K	630LM-874LM 668LM-943LM 663LM-921LM
ALUMINIUM WHITE				
	HCP-1030912	6W-9W LED	3000K 4000K 5000K	630LM-874LM 668LM-943LM 663LM-921LM

OTHER DATA





PRODUCT DATA

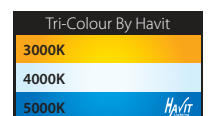
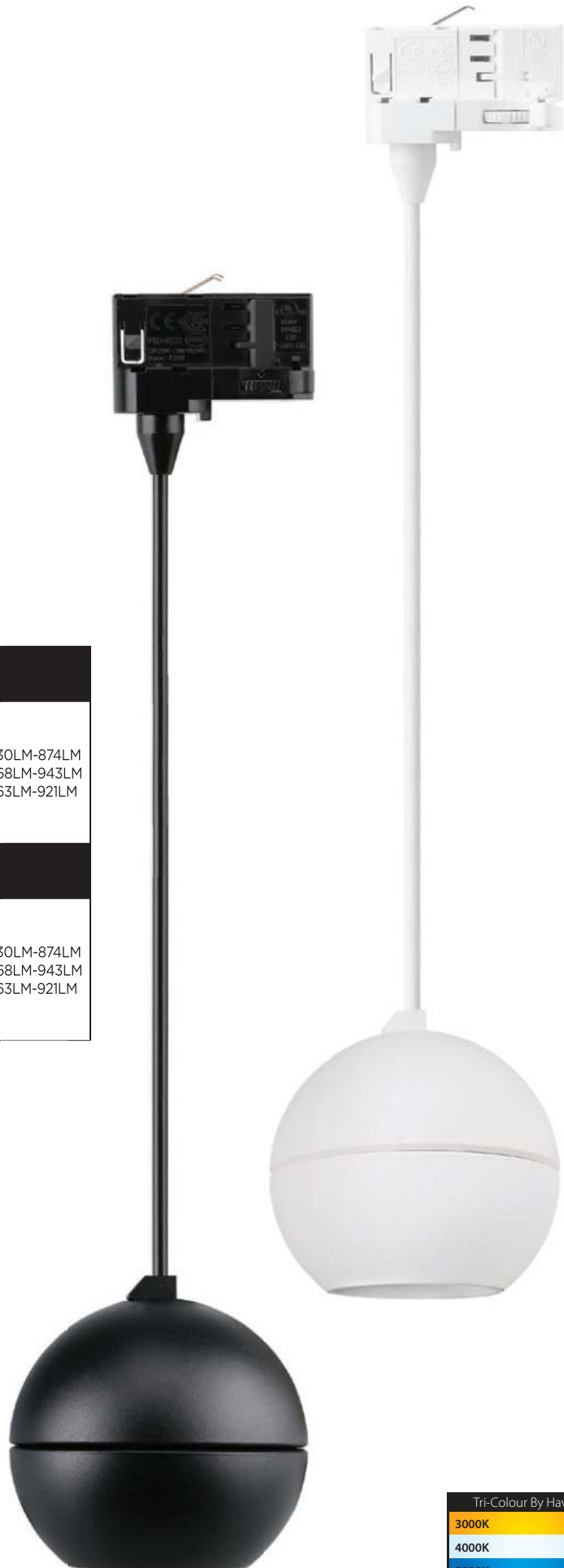
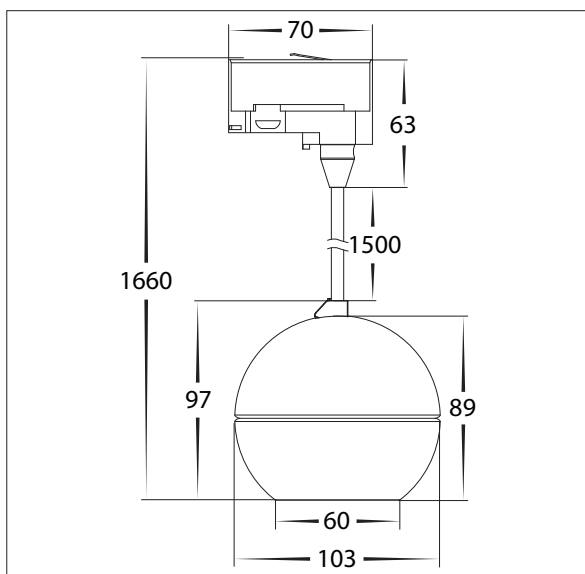
THREE CIRCUIT TRACK LIGHT	
MATERIAL	ALUMINIUM + PLASTIC
COLOUR/FINISH	MATT BLACK OR MATT WHITE
CABLE LENGTH	1500MM (ADJUSTABLE)
COLOUR TEMP	3000K 4000K 5000K (TRI-COLOUR)
LUMEN OUTPUT	570LM-791LM 607LM-859LM 631LM-847LM
INPUT VOLTAGE	240V AC
BUILT-IN LED	6W OR 9W LED
DIMMING	TRIAC
CRI	90+
BEAM ANGLE	60°
IP RATING	IP20

OPTIONAL ACCESSORIES		
	HCP-1050964-GR	GOLD INSERT
	HCP-1050964-CHR	CHROME INSERT
	HCP-1050964-BR	BLACK INSERT

PRODUCT ORDERING

ALUMINIUM BLACK				
	HCP-1020922	6w-9w LED	3000K 4000K 5000K	630LM-874LM 668LM-943LM 663LM-921LM
ALUMINIUM WHITE				
	HCP-1030922	6w-9w LED	3000K 4000K 5000K	630LM-874LM 668LM-943LM 663LM-921LM

OTHER DATA



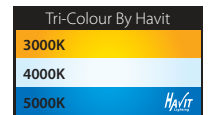
6W OR 9W THREE CIRCUIT TRACK HEADS





PRODUCT DATA

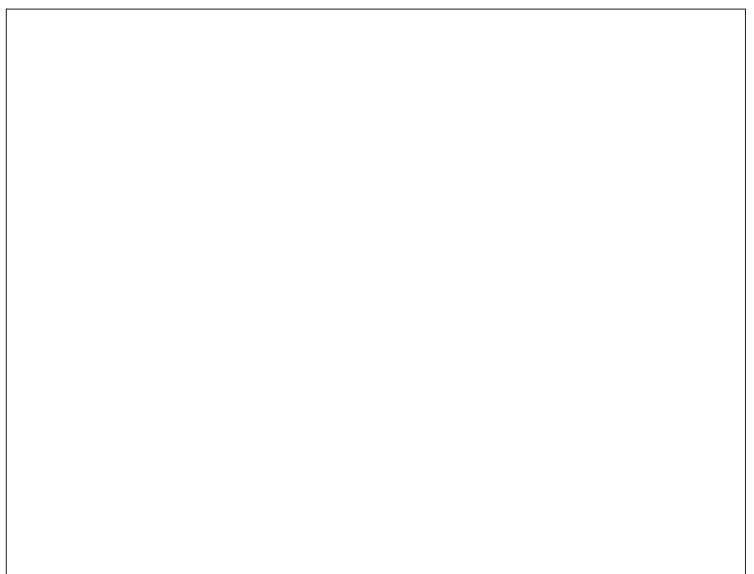
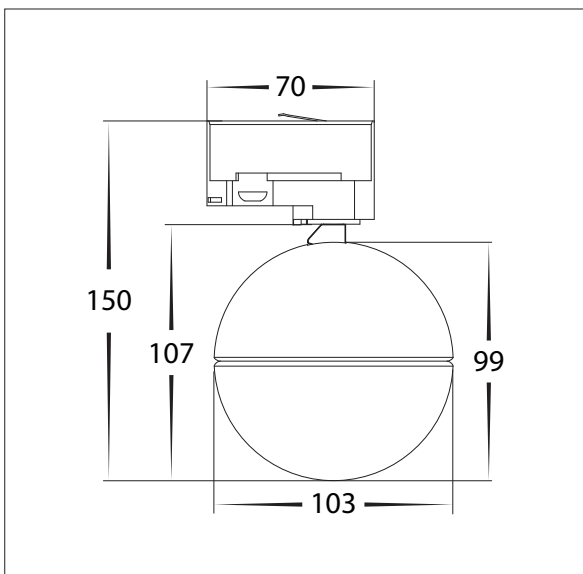
THREE CIRCUIT TRACK LIGHT	
MATERIAL	ALUMINIUM + PLASTIC
COLOUR/FINISH	MATT BLACK OR MATT WHITE
COLOUR TEMP	3000K 4000K 5000K (TRI-COLOUR)
LUMEN OUTPUT	558LM-767LM 596LM-832LM 595LM-828LM
INPUT VOLTAGE	240V AC
BUILT-IN LED	6W OR 9W LED
DIMMING	TRIAC
CRI	90+
BEAM ANGLE	150°
IP RATING	IP20

PRODUCT ORDERING



ALUMINIUM BLACK				
	HCP-1020913	6W-9W LED	3000K 4000K 5000K	558LM-767LM 596LM-832LM 595LM-828LM
ALUMINIUM WHITE				
	HCP-1030913	6W-9W LED	3000K 4000K 5000K	558LM-767LM 596LM-832LM 595LM-828LM

OTHER DATA



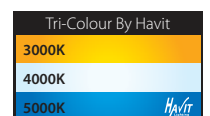
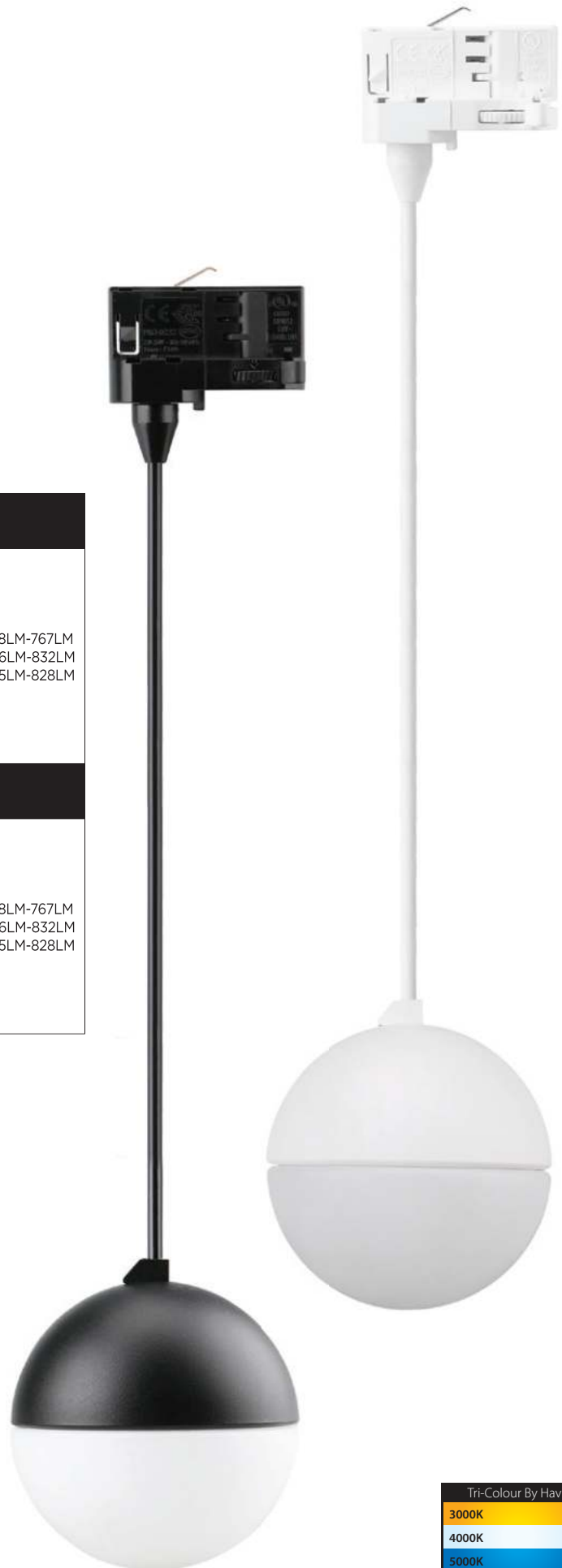
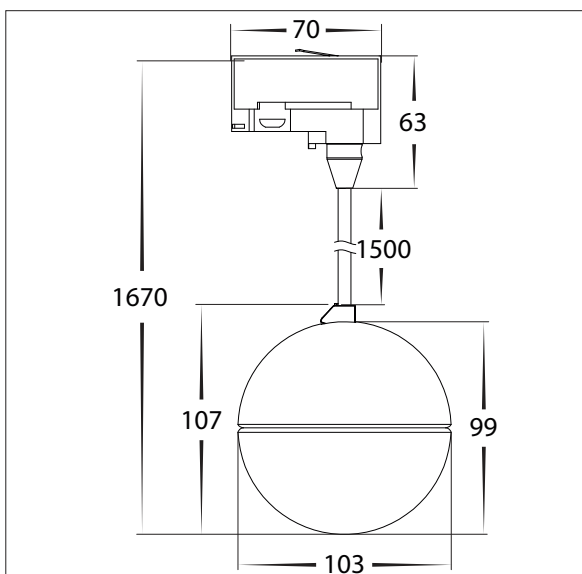
PRODUCT DATA

THREE CIRCUIT TRACK LIGHT	
MATERIAL	ALUMINIUM + PLASTIC
COLOUR/FINISH	MATT BLACK OR MATT WHITE
CABLE LENGTH	1500MM (ADJUSTABLE)
COLOUR TEMP	3000K 4000K 5000K (TRI-COLOUR)
LUMEN OUTPUT	558LM-767LM 596LM-832LM 595LM-828LM
INPUT VOLTAGE	240V AC
BUILT-IN LED	6W OR 9W LED
DIMMING	TRIAC
CRI	90+
BEAM ANGLE	150°
IP RATING	IP20

PRODUCT ORDERING

ALUMINIUM BLACK				
	HCP-1020923	6W-9W LED	3000K 4000K 5000K	558LM-767LM 596LM-832LM 595LM-828LM
ALUMINIUM WHITE				
	HCP-1030923	6W-9W LED	3000K 4000K 5000K	558LM-767LM 596LM-832LM 595LM-828LM

OTHER DATA

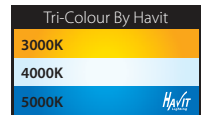





6W OR 9W THREE CIRCUIT TRACK HEADS





PRODUCT DATA

THREE CIRCUIT TRACK LIGHT	
MATERIAL	ALUMINIUM + PLASTIC
COLOUR/FINISH	MATT BLACK OR MATT WHITE
COLOUR TEMP	3000K 4000K 5000K (TRI-COLOUR)
LUMEN OUTPUT	526LM-742LM 562LM-797LM 559LM-778LM
INPUT VOLTAGE	240V AC
BUILT-IN LED	6W OR 9W LED
DIMMING	TRIAC
CRI	90+
BEAM ANGLE	60°
IP RATING	IP20

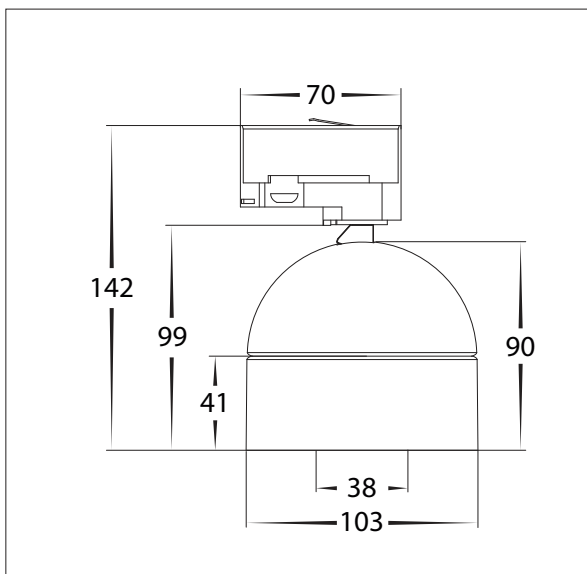


OPTIONAL ACCESSORIES		
	HCP-1051964-GR	GOLD INSERT
	HCP-1051964-CHR	CHROME INSERT
	HCP-1051964-BR	BLACK INSERT

PRODUCT ORDERING




ALUMINIUM BLACK				
	HCP-1020914	6W-9W LED	3000K 4000K 5000K	526LM-772LM 562LM-797LM 559LM-778LM
ALUMINIUM WHITE				
	HCP-1030914	6W-9W LED	3000K 4000K 5000K	526LM-772LM 562LM-797LM 559LM-778LM

OTHER DATA





PRODUCT DATA

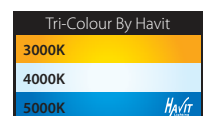
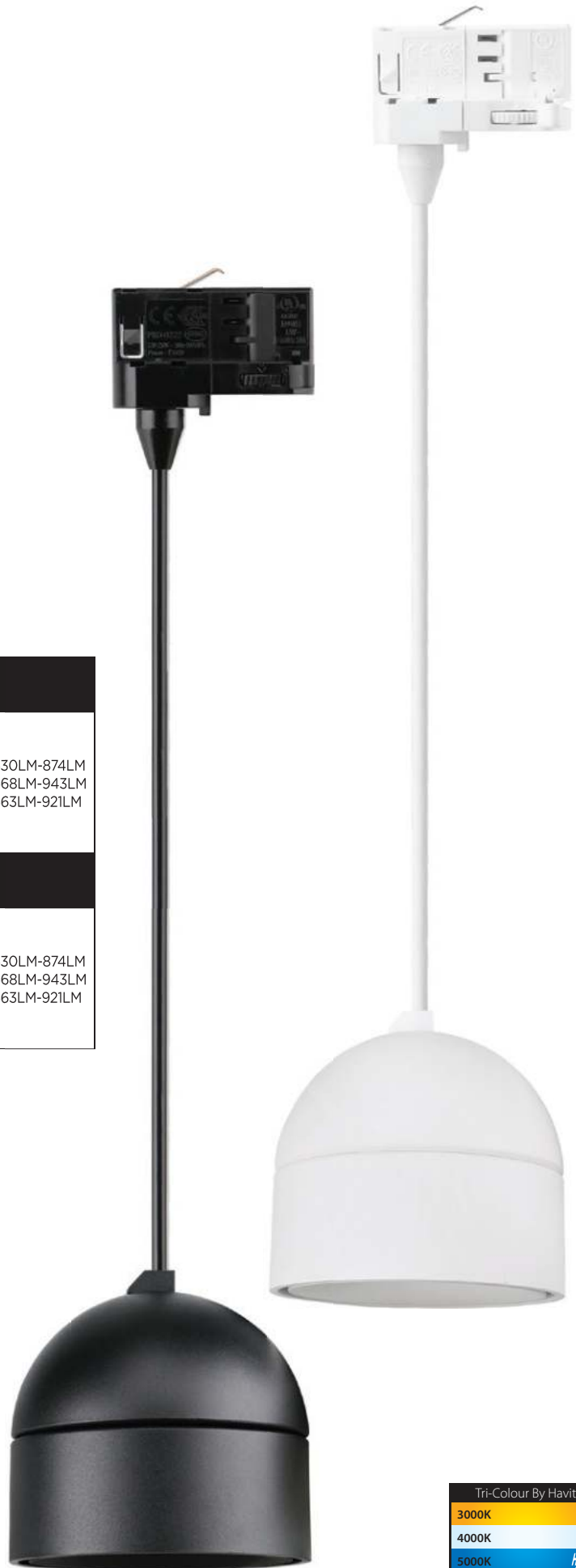
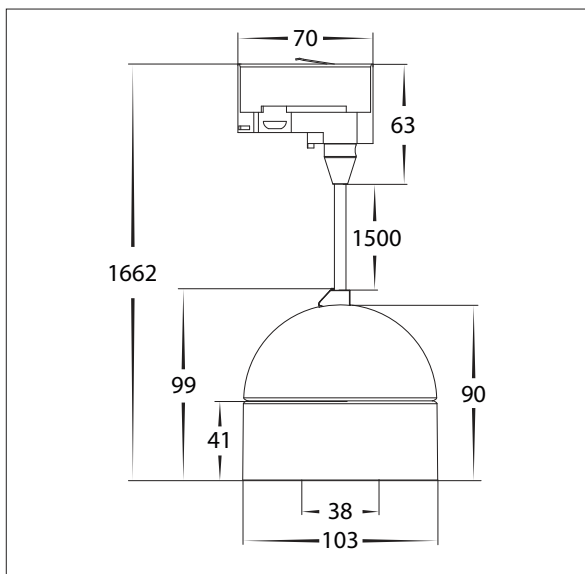
THREE CIRCUIT TRACK LIGHT	
MATERIAL	ALUMINIUM + PLASTIC
COLOUR/FINISH	MATT BLACK OR MATT WHITE
CABLE LENGTH	1500MM (ADJUSTABLE)
COLOUR TEMP	3000K 4000K 5000K (TRI-COLOUR)
LUMEN OUTPUT	526LM-742LM 562LM-797LM 559LM-778LM
INPUT VOLTAGE	240V AC
BUILT-IN LED	6W OR 9W LED
DIMMING	TRIAC
CRI	90+
BEAM ANGLE	60°
IP RATING	IP20

OPTIONAL ACCESSORIES		
	HCP-1051964-GR	GOLD INSERT
	HCP-1051964-CHR	CHROME INSERT
	HCP-1051964-BR	BLACK INSERT

PRODUCT ORDERING

ALUMINIUM BLACK				
	HCP-1020924	6w-9w LED	3000K 4000K 5000K	630LM-874LM 668LM-943LM 663LM-921LM
ALUMINIUM WHITE				
	HCP-1030924	6w-9w LED	3000K 4000K 5000K	630LM-874LM 668LM-943LM 663LM-921LM

OTHER DATA



10W THREE CIRCUIT TRACK HEADS







PRODUCT DATA

THREE CIRCUIT TRACK LIGHT	
MATERIAL	ALUMINIUM
COLOUR/FINISH	MATT BLACK OR MATT WHITE
COLOUR TEMP	2700K 3000K 4000K 5000K 5700K
LUMEN OUTPUT	518LM 532LM 582LM 614LM 626LM
INPUT VOLTAGE	240V AC
BUILT-IN LED	10W
DIMMING	TRIAC
CRI	RA >90
BEAM ANGLE	60°
IP RATING	IP20

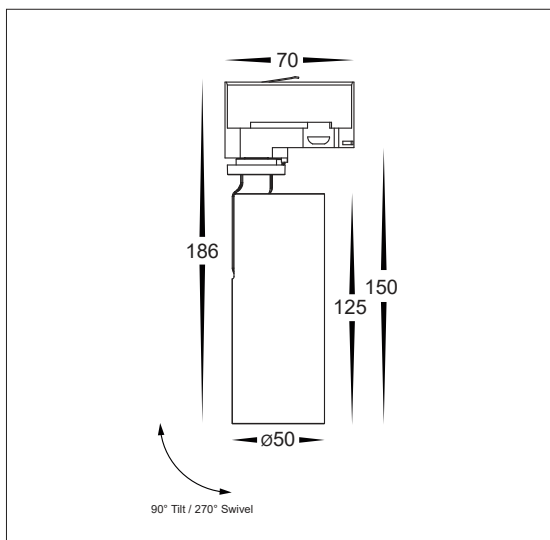


PRODUCT ORDERING

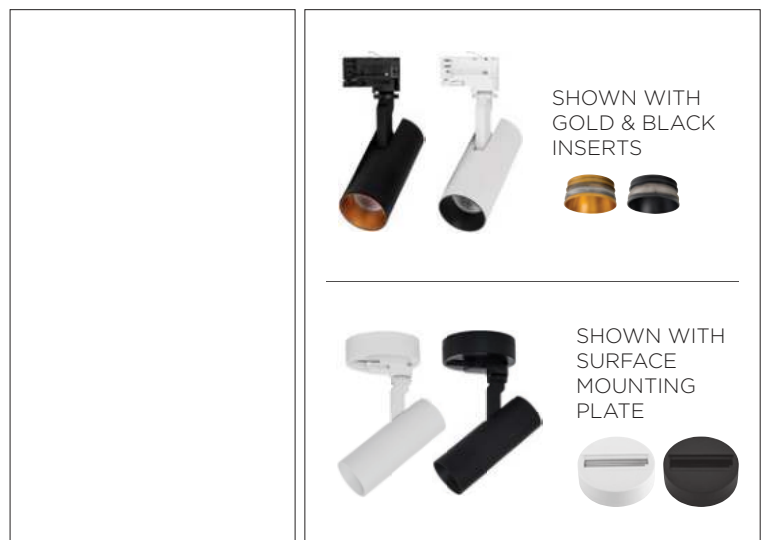
ALUMINIUM BLACK				
	HCP-1022102	10W LED	2700K 3000K 4000K 5000K 5700K	518LM 532LM 582LM 614LM 626LM
ALUMINIUM WHITE				
	HCP-1032102	10W LED	2700K 3000K 4000K 5000K 5700K	518LM 532LM 582LM 614LM 626LM
OPTIONAL LENS & HONEYCOMB				
	HCP-105001-15	18° LENS		
	HCP-105001-24	24° LENS		
	HCP-105001-38	38° LENS		
	HCP-105001-HC	HONEYCOMB INSERT		

OPTIONAL ACCESSORIES		
	HCP-105001-GR	GOLD INSERT
	HCP-105001-BR	BLACK INSERT
	HCP-102300-SM	SURFACE MOUNTING PLATE
	HCP-103300-SM	SURFACE MOUNTING PLATE

OTHER DATA



OPTIONAL ACCESSORIES







15W THREE CIRCUIT TRACK HEADS



PRODUCT DATA

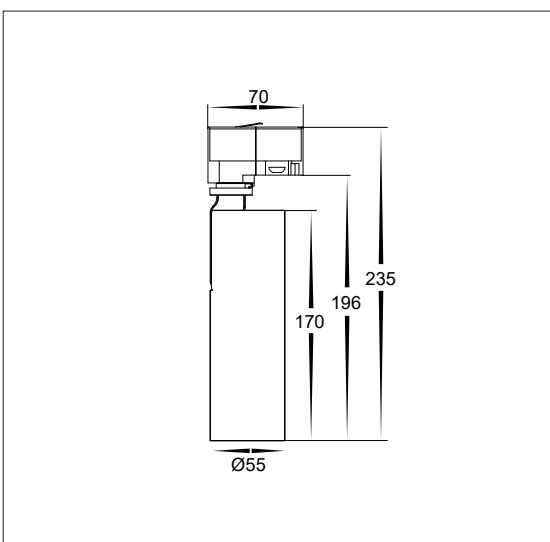
THREE CIRCUIT TRACK LIGHT	
MATERIAL	ALUMINIUM
COLOUR/FINISH	MATT BLACK OR MATT WHITE
COLOUR TEMP	2700K 3000K 4000K 5000K 5700K
LUMEN OUTPUT	819LM 879LM 973LM 1000LM 876LM
INPUT VOLTAGE	240V
BUILT-IN LED	15W
DIMMING	TRIAC
CRI	RA>90
BEAM ANGLE	60°
IP RATING	IP20

PRODUCT ORDERING

ALUMINIUM BLACK				
	HCP-1022202	15W LED	2700K 3000K 4000K 5000K 5700K	819LM 879LM 973LM 1000LM 876LM
ALUMINIUM WHITE				
	HCP-1032202	15W LED	2700K 3000K 4000K 5000K 5700K	819LM 879LM 973LM 1000LM 876LM
OPTIONAL LENS & HONEYCOMB				
	HCP-105003-18	18° LENS		
	HCP-105003-24	24° LENS		
	HCP-105003-36	36° LENS		
	HCP-105003-HC	HONEYCOMB INSERT		

OPTIONAL ACCESSORIES		
	HCP-105003-GR	GOLD INSERT
	HCP-105003-BR	BLACK INSERT
	HCP-102300-SM	SURFACE MOUNTING PLATE
	HCP-103300-SM	SURFACE MOUNTING PLATE

OTHER DATA



OPTIONAL ACCESSORIES



25W THREE CIRCUIT TRACK HEADS



PRODUCT DATA

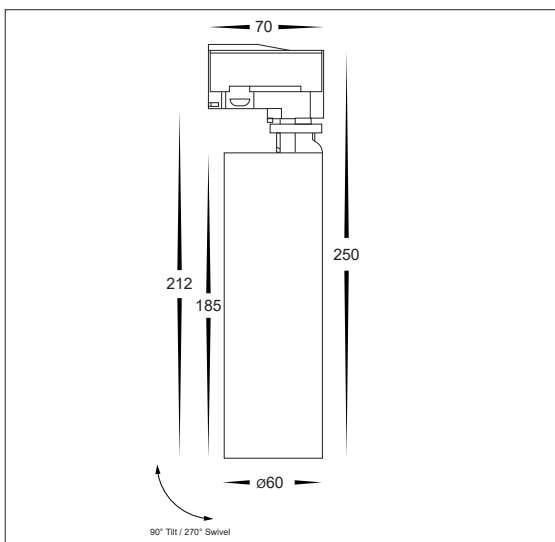
THREE CIRCUIT TRACK LIGHT	
MATERIAL	ALUMINIUM
COLOUR/FINISH	MATT BLACK OR MATT WHITE
COLOUR TEMP	3000K 4000K 5000K
LUMEN OUTPUT	2200LM 2230LM 2280LM
INPUT VOLTAGE	240V AC
BUILT-IN LED	25W
DIMMING	TRIAC
CRI	RA >90
BEAM ANGLE	60°
IP RATING	IP20

OPTIONAL ACCESSORIES		
	HCP-105000-GR	GOLD INSERT
	HCP-105000-BR	BLACK INSERT
	HCP-102300-SM	SURFACE MOUNTING PLATE
	HCP-103300-SM	SURFACE MOUNTING PLATE

PRODUCT ORDERING

ALUMINIUM BLACK				
	HCP-1022531	3000K	25w LED	2200LM
	HCP-1022541	4000K	25w LED	2230LM
	HCP-1022551	5000K	25w LED	2280LM
ALUMINIUM WHITE				
	HCP-1032531	3000K	25w LED	2200LM
	HCP-1032541	4000K	25w LED	2230LM
	HCP-1032551	5000K	25w LED	2280LM
OPTIONAL LENS & HONEYCOMB				
	HCP-105000-18	18° LENS		
	HCP-105000-25	25° LENS		
	HCP-105000-36	36° LENS		
	HCP-105000-HC	HONEYCOMB INSERT		

OTHER DATA



OPTIONAL ACCESSORIES



35W THREE CIRCUIT TRACK HEADS







PRODUCT DATA

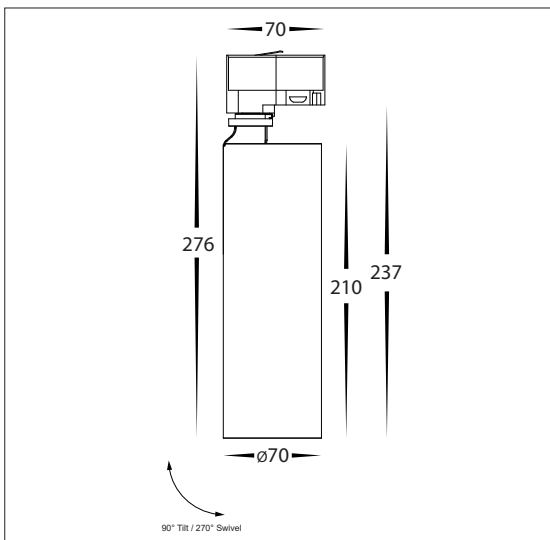
THREE CIRCUIT TRACK LIGHT	
MATERIAL	ALUMINIUM
COLOUR/FINISH	MATT BLACK OR MATT WHITE
COLOUR TEMP	3000K 4000K 5000K
LUMEN OUTPUT	3150LM 3500LM 3360LM
INPUT VOLTAGE	240V
BUILT-IN LED	35W
DIMMING	TRIAC
CRI	90+
BEAM ANGLE	60°
IP RATING	IP20

OPTIONAL ACCESSORIES		
	HCP-105002-GR	GOLD INSERT
	HCP-105002-BR	BLACK INSERT
	HCP-102300-SM	SURFACE MOUNTING PLATE
	HCP-103300-SM	SURFACE MOUNTING PLATE

PRODUCT ORDERING

ALUMINIUM BLACK				
	HCP-1022731	3000K	3150LM	35w LED
	HCP-1022741	4000K	3500LM	
	HCP-1022751	5000K	3360LM	
ALUMINIUM WHITE				
	HCP-1032731	3000K	3150LM	35w LED
	HCP-1032741	4000K	3500LM	
	HCP-1032751	5000K	3360LM	
OPTIONAL LENS & HONEYCOMB				
	HCP-105002-24	24° LENS		
	HCP-105002-36	36° LENS		
	HCP-105002-HC	HONEYCOMB INSERT		

OTHER DATA



OPTIONAL ACCESSORIES



7W THREE CIRCUIT ROTATABLE TRACK HEADS



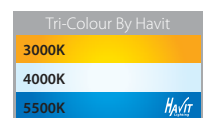
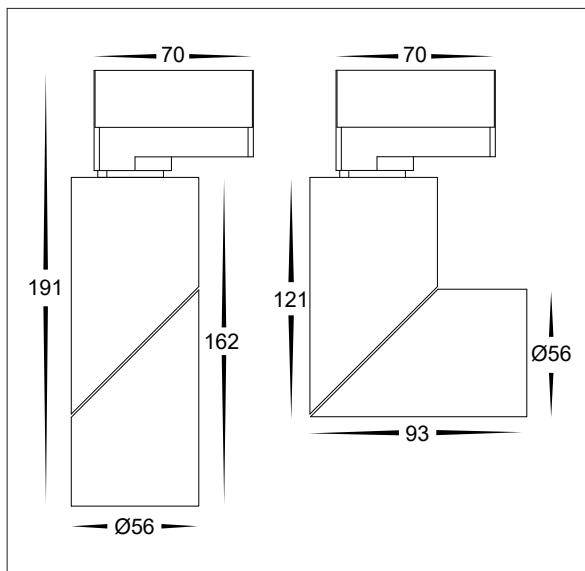
PRODUCT DATA

THREE CIRCUIT TRACK LIGHT	
MATERIAL	ALUMINIUM
COLOUR/FINISH	MATT BLACK OR MATT WHITE
COLOUR TEMP	3000K 4000K 5500K (TRI-COLOUR)
LUMEN OUTPUT	560LM 595LM 630LM
INPUT VOLTAGE	240V
BUILT-IN LED	7W
DIMMING	TRIAC
CRI	90+
BEAM ANGLE	36°
IP RATING	IP20

PRODUCT ORDERING

ALUMINIUM BLACK				
	HCP-1022101	7w LED	3000K 4000K 5500K	560LM 595LM 630LM
ALUMINIUM WHITE				
	HCP-1032101	7w LED	3000K 4000K 5500K	560LM 595LM 630LM

OTHER DATA



12W THREE CIRCUIT ROTATABLE TRACK HEADS



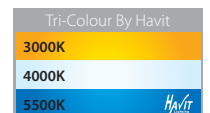
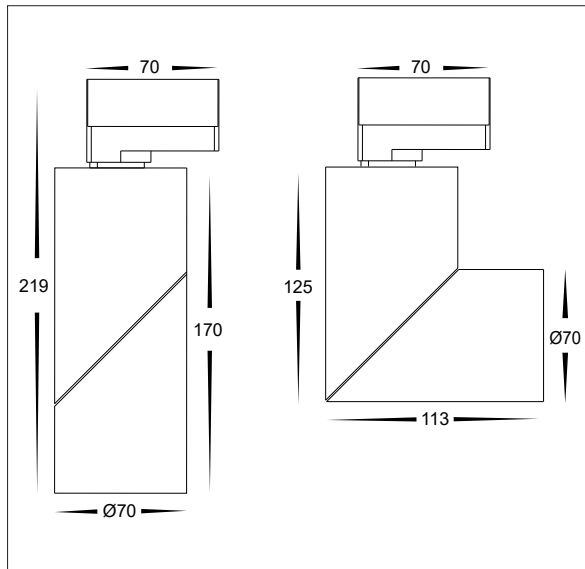
PRODUCT DATA

THREE CIRCUIT TRACK LIGHT	
MATERIAL	ALUMINIUM
COLOUR/FINISH	MATT BLACK OR MATT WHITE
COLOUR TEMP	3000K 4000K 5500K (TRI-COLOUR)
LUMEN OUTPUT	790LM 855LM 881LM
INPUT VOLTAGE	240V
BUILT-IN LED	12W
DIMMING	TRIAC
CRI	90+
BEAM ANGLE	36°
IP RATING	IP20

PRODUCT ORDERING

ALUMINIUM BLACK				
	HCP-1022201	12w LED	3000K 4000K 5500K	790LM 855LM 881LM
ALUMINIUM WHITE				
	HCP-1032201	12w LED	3000K 4000K 5500K	790LM 855LM 881LM

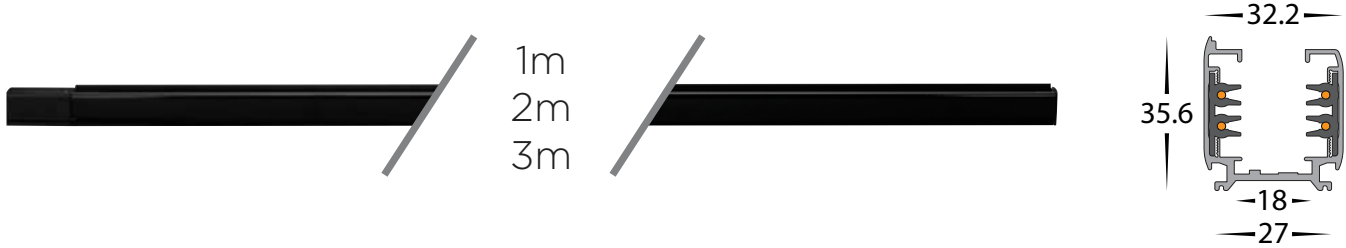
OTHER DATA



BLACK THREE CIRCUIT TRACK & CONNECTORS


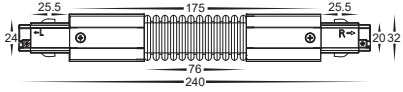

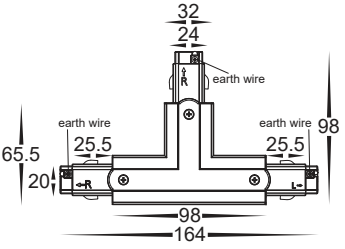
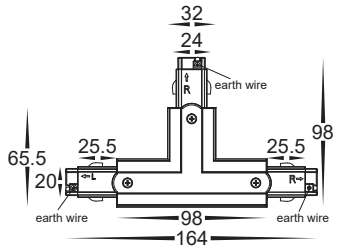

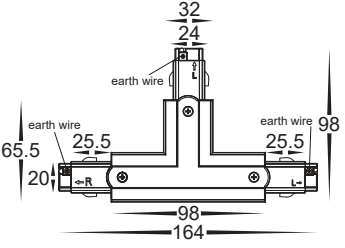
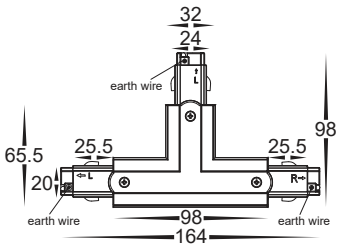

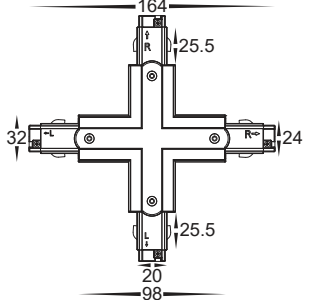
THREE CIRCUIT TRACK SYSTEM	
MATERIAL	ALUMINIUM
COLOUR/FINISH	MATT BLACK
INPUT VOLTAGE	240V AC
TRACK SYSTEM	3 CIRCUIT
IP RATING	IP20

THREE CIRCUIT TRACK	
HCP-102310	1 METRE LENGTH INC. LIVE END
HCP-102320	2 METRE LENGTH INC. LIVE END
HCP-102330	3 METRE LENGTH INC. LIVE END



THREE CIRCUIT CONNECTORS			
	HCP-102300-SJ	STRAIGHT JOINER	
	HCP-102300-CF	CENTRE FEED	
	HCP-102300-LE	LIVE END	
	HCP-102300-LSCL	L-SHAPE JOINER	
	HCP-102300-LSCR	L-SHAPE JOINER	

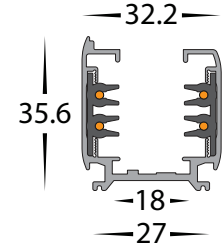
Image are for reference only


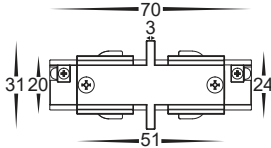

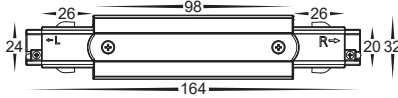

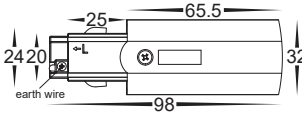
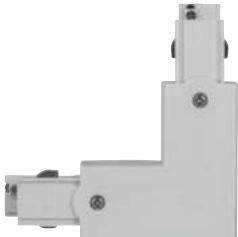
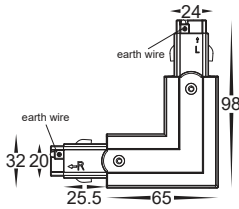
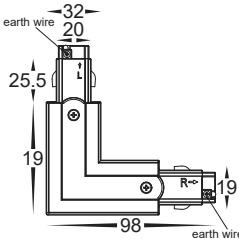
THREE CIRCUIT CONNECTORS			
	HCP-102300-FC	FLEXIBLE JOINER	
	HCP-102300-TSCL1	T-SHAPE JOINER	
	HCP-102300-TSCL2	T-SHAPE JOINER	
	HCP-102300-TSCR1	T-SHAPE JOINER	
	HCP-102300-TSCR2	T-SHAPE JOINER	
	HCP-102300-XSC	X-SHAPE JOINER	

WHITE THREE CIRCUIT TRACK & CONNECTORS

THREE CIRCUIT TRACK SYSTEM	
MATERIAL	ALUMINIUM
COLOUR/FINISH	MATT WHITE
INPUT VOLTAGE	240V AC
TRACK SYSTEM	3 CIRCUIT
IP RATING	IP20

THREE CIRCUIT TRACK	
HCP-103310	1 METRE LENGTH INC. LIVE END
HCP-103320	2 METRE LENGTH INC. LIVE END
HCP-103330	3 METRE LENGTH INC. LIVE END



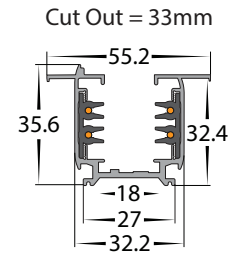
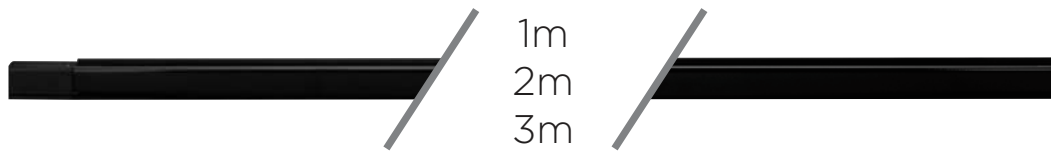
THREE CIRCUIT CONNECTORS			
	HCP-103300-SJ	STRAIGHT JOINER	
	HCP-103300-CF	CENTRE FEED	
	HCP-103300-LE	LIVE END	
	HCP-103300-LSCL	L-SHAPE JOINER	
	HCP-103300-LSCR	L-SHAPE JOINER	

THREE CIRCUIT CONNECTORS			
	<p>HCP-103300-FC</p>	<p>FLEXIBLE JOINER</p>	
	<p>HCP-103300-TSCL1</p>	<p>T-SHAPE JOINER</p>	
	<p>HCP-103300-TSCL2</p>	<p>T-SHAPE JOINER</p>	
	<p>HCP-103300-TSCR1</p>	<p>T-SHAPE JOINER</p>	
	<p>HCP-103300-TSCR2</p>	<p>T-SHAPE JOINER</p>	
	<p>HCP-103300-XSC</p>	<p>X-SHAPE JOINER</p>	

BLACK THREE CIRCUIT RECESSED TRACK & CONNECTORS

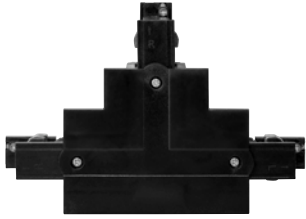
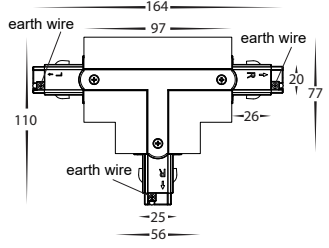
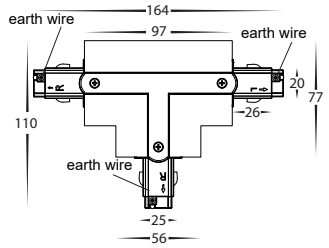
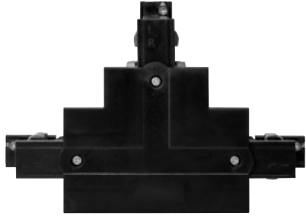
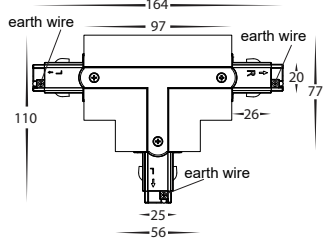
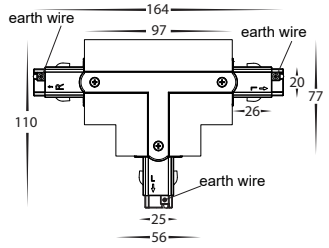
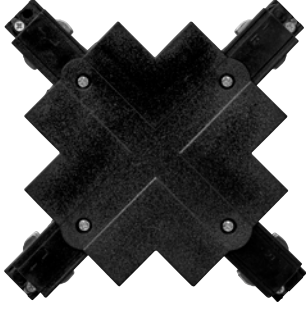
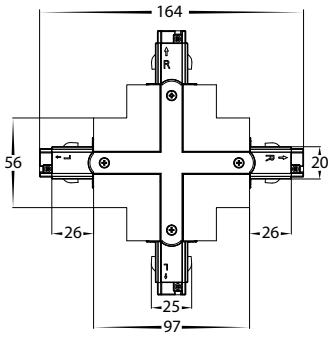
THREE CIRCUIT TRACK SYSTEM	
MATERIAL	ALUMINIUM
COLOUR/FINISH	MATT BLACK
INPUT VOLTAGE	240V AC
TRACK SYSTEM	3 CIRCUIT
IP RATING	IP20

THREE CIRCUIT TRACK	
HCP-102311	1 METRE LENGTH INC. LIVE END
HCP-102321	2 METRE LENGTH INC. LIVE END
HCP-102331	3 METRE LENGTH INC. LIVE END



THREE CIRCUIT CONNECTORS			
	HCP-102301-SJ	STRAIGHT JOINER	
	HCP-102301-CF	CENTRE FEED	
	HCP-102301-LE	LIVE END	
	HCP-102301-LSCL	L-SHAPE JOINER	
	HCP-102301-LSCR	L-SHAPE JOINER	

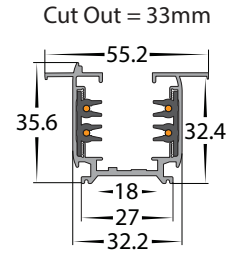
Image are for reference only


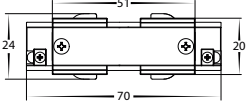
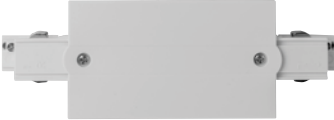
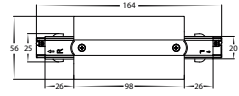

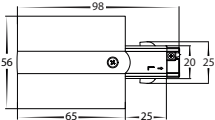
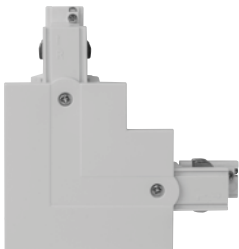
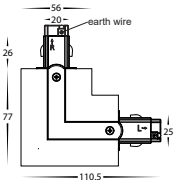
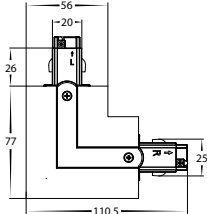
THREE CIRCUIT CONNECTORS			
	HCP-102301-TSCL1	T-SHAPE JOINER	
	HCP-102301-TSCL2	T-SHAPE JOINER	
	HCP-102301-TSCR1	T-SHAPE JOINER	
	HCP-102301-TSCR2	T-SHAPE JOINER	
	HCP-102301-XSC	X-SHAPE JOINER	

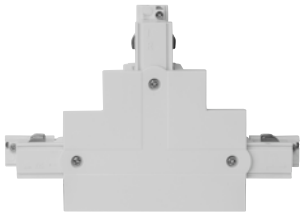
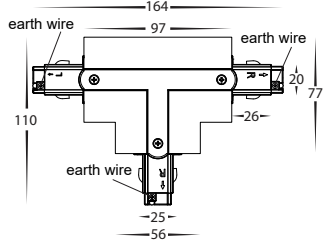
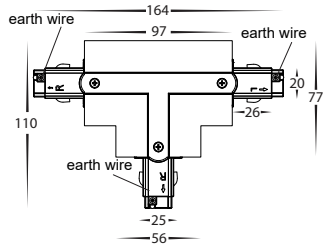
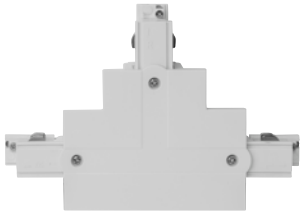
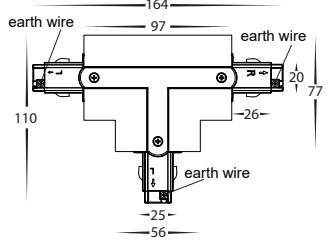
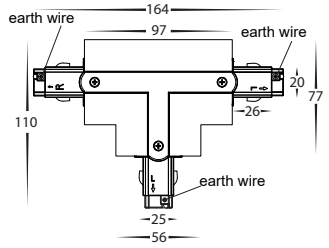
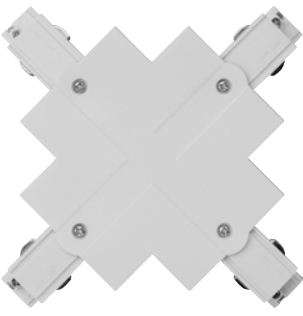
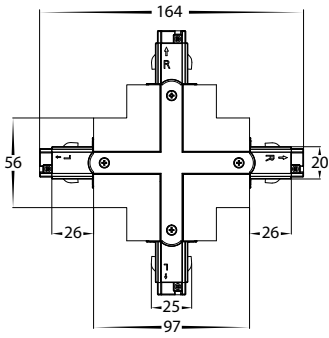
WHITE THREE CIRCUIT RECESSED TRACK & CONNECTORS

THREE CIRCUIT TRACK SYSTEM	
MATERIAL	ALUMINIUM
COLOUR/FINISH	MATT WHITE
INPUT VOLTAGE	240V AC
TRACK SYSTEM	3 CIRCUIT
IP RATING	IP20

THREE CIRCUIT TRACK	
HCP-103311	1 METRE LENGTH INC. LIVE END
HCP-103321	2 METRE LENGTH INC. LIVE END
HCP-103331	3 METRE LENGTH INC. LIVE END



THREE CIRCUIT CONNECTORS			
	HCP-103301-SJ	STRAIGHT JOINER	
	HCP-103301-CF	CENTRE FEED	
	HCP-103301-LE	LIVE END	
	HCP-103301-LSCL	L-SHAPE JOINER	
	HCP-103301-LSCR	L-SHAPE JOINER	

THREE CIRCUIT CONNECTORS			
	HCP-103301-TSCL1	T-SHAPE JOINER	
	HCP-103301-TSCL2	T-SHAPE JOINER	
	HCP-103301-TSCR1	T-SHAPE JOINER	
	HCP-103301-TSCR2	T-SHAPE JOINER	
	HCP-103301-XSC	X-SHAPE JOINER	


TRACK LIGHT SUSPENSION KITS



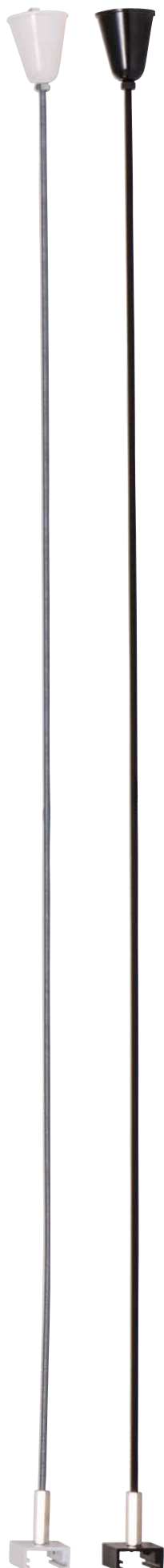
PRODUCT DATA

SINGLE CIRCUIT TRACK SYSTEM SUSPENSION	
MATERIAL	BRASS + STAINLESS STEEL CABLE
COLOUR/FINISH	CHROME PLATED
WEIGHT LIMITS	2KG
LENGTH	2000MM
IP RATING	IP20

PRODUCT ORDERING

SINGLE CIRCUIT SUSPENSION KIT		
	HCP-105100-SUS	2000MM CHROME PLATED BRASS + STAINLESS STEEL CABLE









PRODUCT DATA

THREE CIRCUIT TRACK SYSTEM SUSPENSION	
MATERIAL	PC + STEEL CABLE + ALUMINIUM ROD
COLOUR/FINISH	BLACK OR WHITE
WEIGHT LIMITS	2KG
LENGTH	ROD SUSPENSION = 1000MM
	CABLE SUSPENSION = 3000MM
IP RATING	IP20

PRODUCT ORDERING

THREE CIRCUIT SUSPENSION KIT		
	HCP-102300-SUS	BLACK CABLE SUSPENSION
	HCP-103300-SUS	WHITE CABLE SUSPENSION
1m Rod 	HCP-102300-ROD	BLACK ROD SUSPENSION
1m Rod 	HCP-103300-ROD	WHITE ROD SUSPENSION

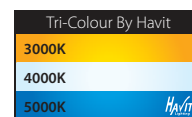
SURFACE MOUNTED SPOT LIGHT





PRODUCT DATA

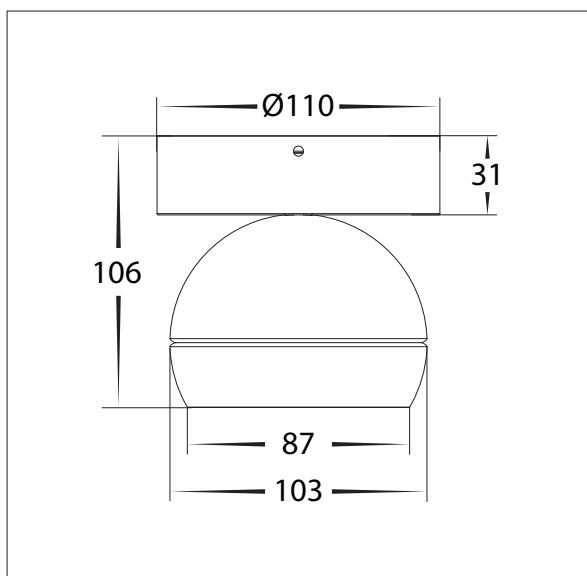
SURFACE MOUNTED SPOT LIGHT	
MATERIAL	ALUMINIUM
COLOUR/FINISH	MATT BLACK OR MATT WHITE
COLOUR TEMP	3000K 4000K 5000K (TRI-COLOUR)
LUMEN OUTPUT	630LM-874LM 668LM-943LM 663LM-921LM
INPUT VOLTAGE	240V AC
BUILT-IN LED	6W OR 9W LED
DIMMING	TRIAC
CRI	90+
BEAM ANGLE	60°
IP RATING	IP20

PRODUCT ORDERING



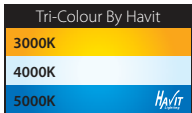
ALUMINIUM BLACK				
	HCP-1020931	6W-9W LED	3000K 4000K 5000K	630LM-874LM 668LM-943LM 663LM-921LM
ALUMINIUM WHITE				
	HCP-1030931	6W-9W LED	3000K 4000K 5000K	630LM-874LM 668LM-943LM 663LM-921LM

OTHER DATA



RECESSED SPOT LIGHT



SPOT LIGHTS



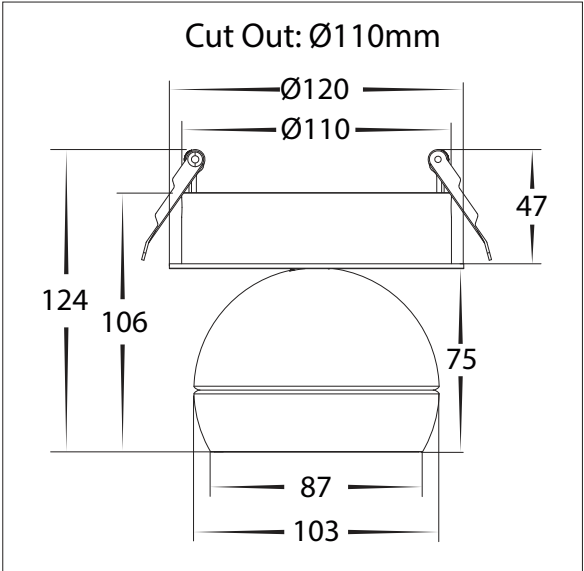
PRODUCT DATA

RECESSED SPOT LIGHT	
MATERIAL	ALUMINIUM + PLASTIC
COLOUR/FINISH	MATT BLACK OR MATT WHITE
COLOUR TEMP	3000K 4000K 5000K (TRI-COLOUR)
LUMEN OUTPUT	630LM-874LM 668LM-943LM 663LM-921LM
INPUT VOLTAGE	240V AC
BUILT-IN LED	6W OR 9W LED
DIMMING	TRIAC
CRI	90+
BEAM ANGLE	60°
IP RATING	IP20

PRODUCT ORDERING

ALUMINIUM BLACK				
	HCP-1020961	6W-9W LED	3000K 4000K 5000K	630LM-874LM 668LM-943LM 663LM-921LM
ALUMINIUM WHITE				
	HCP-1030961	6W-9W LED	3000K 4000K 5000K	630LM-874LM 668LM-943LM 663LM-921LM

OTHER DATA

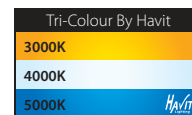


SURFACE MOUNTED SPOT LIGHT



PRODUCT DATA

SURFACE MOUNTED SPOT LIGHT	
MATERIAL	ALUMINIUM + PLASTIC
COLOUR/FINISH	MATT BLACK OR MATT WHITE
COLOUR TEMP	3000K 4000K 5000K (TRI-COLOUR)
LUMEN OUTPUT	630LM-874LM 668LM-943LM 663LM-921LM
INPUT VOLTAGE	240V AC
BUILT-IN LED	6W OR 9W LED
DIMMING	TRIAC
CRI	90+
BEAM ANGLE	60°
IP RATING	IP20

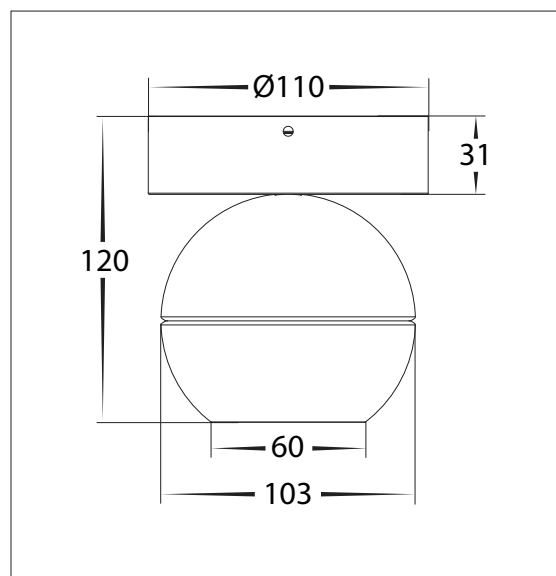


OPTIONAL ACCESSORIES		
	HCP-1050964-GR	GOLD INSERT
	HCP-1050964-CHR	CHROME INSERT
	HCP-1050964-BR	BLACK INSERT

PRODUCT ORDERING

ALUMINIUM BLACK				
	HCP-1020932	6W-9W LED	3000K 4000K 5000K	630LM-874LM 668LM-943LM 663LM-921LM
ALUMINIUM WHITE				
	HCP-1030932	6W-9W LED	3000K 4000K 5000K	630LM-874LM 668LM-943LM 663LM-921LM

OTHER DATA



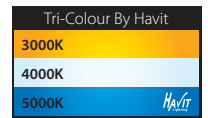
RECESSED SPOT LIGHT



SPOT LIGHTS



PRODUCT DATA

RECESSED SPOT LIGHTS	
MATERIAL	ALUMINIUM + PLASTIC
COLOUR/FINISH	MATT BLACK OR MATT WHITE
COLOUR TEMP	3000K 4000K 5000K (TRI-COLOUR)
LUMEN OUTPUT	630LM-874LM 668LM-943LM 663LM-921LM
INPUT VOLTAGE	240V AC
BUILT-IN LED	6W OR 9W LED
DIMMING	TRIAC
CRI	90+
BEAM ANGLE	60°
IP RATING	IP20

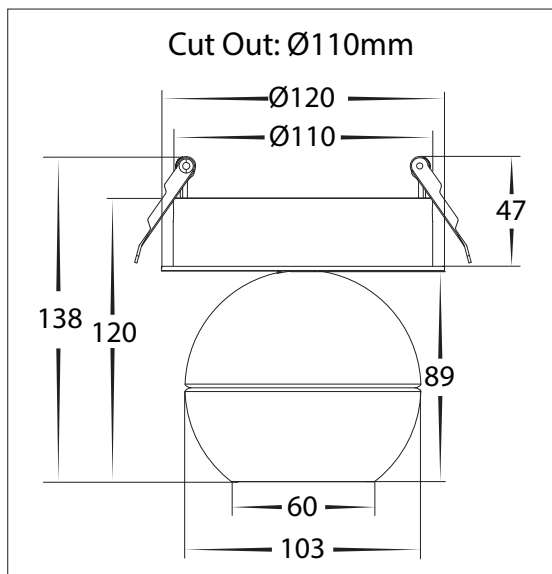


OPTIONAL ACCESSORIES		
	HCP-1050964-GR	GOLD INSERT
	HCP-1050964-CHR	CHROME INSERT
	HCP-1050964-BR	BLACK INSERT

PRODUCT ORDERING

ALUMINIUM BLACK				
	HCP-1020962	6W-9W LED	3000K 4000K 5000K	630LM-874LM 668LM-943LM 663LM-921LM
ALUMINIUM WHITE				
	HCP-1030962	6W-9W LED	3000K 4000K 5000K	630LM-874LM 668LM-943LM 663LM-921LM

OTHER DATA



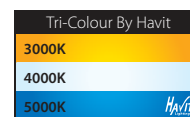
SURFACE MOUNTED SPOT LIGHT





PRODUCT DATA

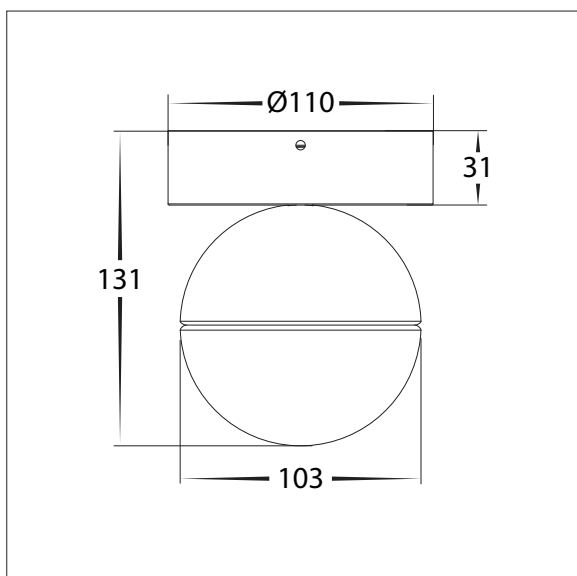
SURFACE MOUNTED SPOT LIGHT	
MATERIAL	ALUMINIUM
COLOUR/FINISH	MATT BLACK OR MATT WHITE
COLOUR TEMP	3000K 4000K 5000K (TRI-COLOUR)
LUMEN OUTPUT	558LM-767LM 596LM-832LM 595LM-828LM
INPUT VOLTAGE	240V AC
BUILT-IN LED	6W OR 9W LED
DIMMING	TRIAC
CRI	90+
BEAM ANGLE	150°
IP RATING	IP20

PRODUCT ORDERING



ALUMINIUM BLACK				
	HCP-1020933	6W-9W LED	3000K 4000K 5000K	558LM-767LM 596LM-832LM 595LM-828LM
ALUMINIUM WHITE				
	HCP-1030933	6W-9W LED	3000K 4000K 5000K	558LM-767LM 596LM-832LM 595LM-828LM

OTHER DATA



RECESSED SPOT LIGHT

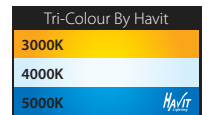


SPOT LIGHTS

PRODUCT DATA

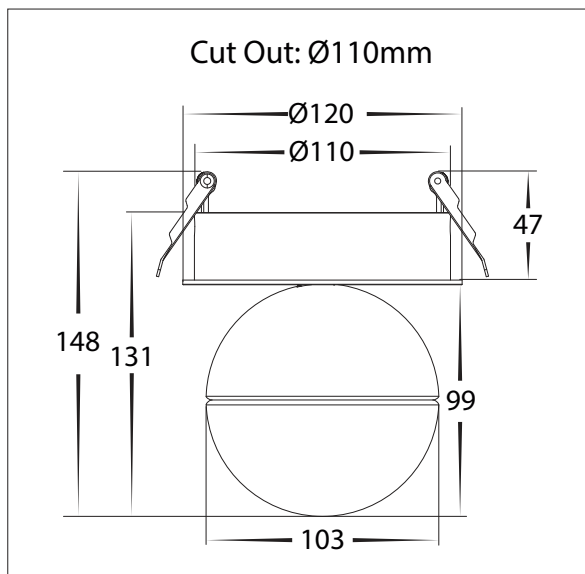
RECESSED SPOT LIGHT	
MATERIAL	ALUMINIUM + PLASTIC
COLOUR/FINISH	MATT BLACK OR MATT WHITE
COLOUR TEMP	3000K 4000K 5000K (TRI-COLOUR)
LUMEN OUTPUT	558LM-767LM 596LM-832LM 595LM-828LM
INPUT VOLTAGE	240V AC
BUILT-IN LED	6W OR 9W LED
DIMMING	TRIAC
CRI	90+
BEAM ANGLE	150°
IP RATING	IP20

PRODUCT ORDERING



ALUMINIUM BLACK				
	HCP-1020963	6W-9W LED	3000K 4000K 5000K	558LM-767LM 596LM-832LM 595LM-828LM
ALUMINIUM WHITE				
	HCP-1030963	6W-9W LED	3000K 4000K 5000K	558LM-767LM 596LM-832LM 595LM-828LM

OTHER DATA






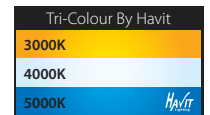
SURFACE MOUNTED SPOT LIGHT





PRODUCT DATA

SURFACE MOUNTED SPOT LIGHT	
MATERIAL	ALUMINIUM + PLASTIC
COLOUR/FINISH	MATT BLACK OR MATT WHITE
COLOUR TEMP	3000K 4000K 5000K (TRI-COLOUR)
LUMEN OUTPUT	526LM-742LM 562LM-797LM 559LM-778LM
INPUT VOLTAGE	240V AC
BUILT-IN LED	6W OR 9W LED
DIMMING	TRIAC
CRI	90+
BEAM ANGLE	60°
IP RATING	IP20

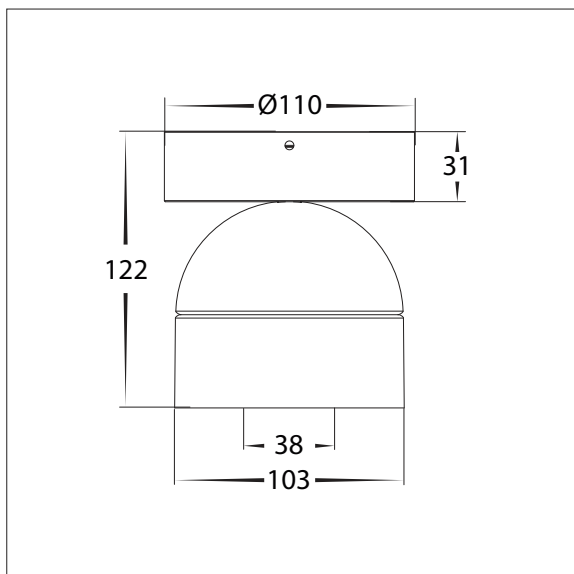
OPTIONAL ACCESSORIES		
	HCP-1051964-GR	GOLD INSERT
	HCP-1051964-CHR	CHROME INSERT
	HCP-1051964-BR	BLACK INSERT



PRODUCT ORDERING

ALUMINIUM BLACK				
	HCP-1020934	6W-9W LED	3000K 4000K 5000K	526LM-772LM 562LM-797LM 559LM-778LM
ALUMINIUM WHITE				
	HCP-1030934	6W-9W LED	3000K 4000K 5000K	526LM-772LM 562LM-797LM 559LM-778LM

OTHER DATA

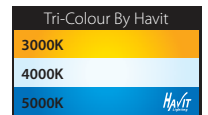





RECESSED SPOT LIGHT





PRODUCT DATA

RECESSED SPOT LIGHT	
MATERIAL	ALUMINIUM + PLASTIC
COLOUR/FINISH	MATT BLACK OR MATT WHITE
COLOUR TEMP	3000K 4000K 5000K (TRI-COLOUR)
LUMEN OUTPUT	526LM-742LM 562LM-797LM 559LM-778LM
INPUT VOLTAGE	240V AC
BUILT-IN LED	6W OR 9W LED
DIMMING	TRIAC
CRI	90+
BEAM ANGLE	60°
IP RATING	IP20

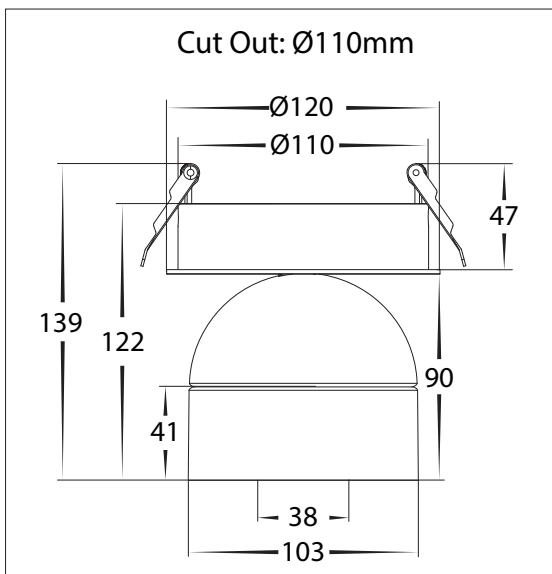


OPTIONAL ACCESSORIES		
	HCP-1051964-GR	GOLD INSERT
	HCP-1051964-CHR	CHROME INSERT
	HCP-1051964-BR	BLACK INSERT

PRODUCT ORDERING

ALUMINIUM BLACK				
	HCP-1020964	6W-9W LED	3000K 4000K 5000K	526LM-772LM 562LM-797LM 559LM-778LM
ALUMINIUM WHITE				
	HCP-1030964	6W-9W LED	3000K 4000K 5000K	526LM-772LM 562LM-797LM 559LM-778LM

OTHER DATA



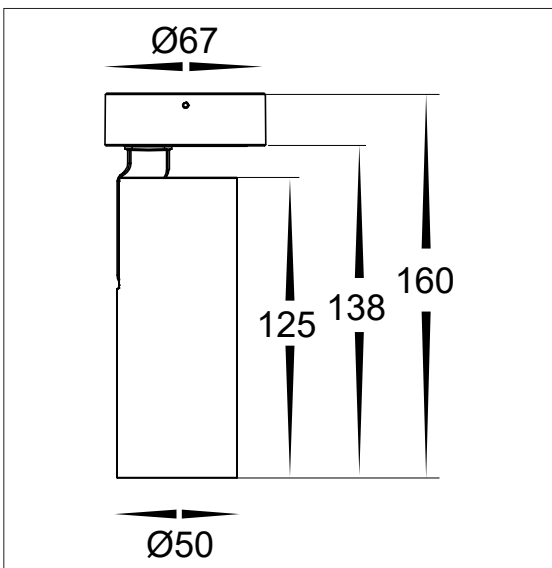
10W SURFACE MOUNTED SPOT LIGHT



PRODUCT DATA

SURFACE MOUNTED SPOT LIGHT	
MATERIAL	ALUMINIUM
COLOUR/FINISH	MATT BLACK OR MATT WHITE
COLOUR TEMP	2700K 3000K 4000K 5000K 5700K
LUMEN OUTPUT	518LM 532LM 582LM 614LM 626LM
INPUT VOLTAGE	240V
BUILT-IN LED	10W
DIMMING	TRIAC
CRI	RA>90
BEAM ANGLE	60°
IP RATING	IP20

OTHER DATA



PRODUCT ORDERING

ALUMINIUM BLACK				
	HCP-1022112	10W LED	2700K 3000K 4000K 5000K 5700K	518LM 532LM 582LM 614LM 626LM
ALUMINIUM WHITE				
	HCP-1032112	10W LED	2700K 3000K 4000K 5000K 5700K	518LM 532LM 582LM 614LM 626LM
OPTIONAL LENSES				
	HCP-105001-15	15° LENS		
	HCP-105001-24	24° LENS		
	HCP-105001-38	38° LENS		
OPTIONAL INSERTS				
	HCP-105001-GR	GOLD INSERT		
	HCP-105001-BR	BLACK INSERT		
	HCP-105001-HC	HONEYCOMB INSERT		



10W RECESSED SPOT LIGHT



SPOT LIGHTS

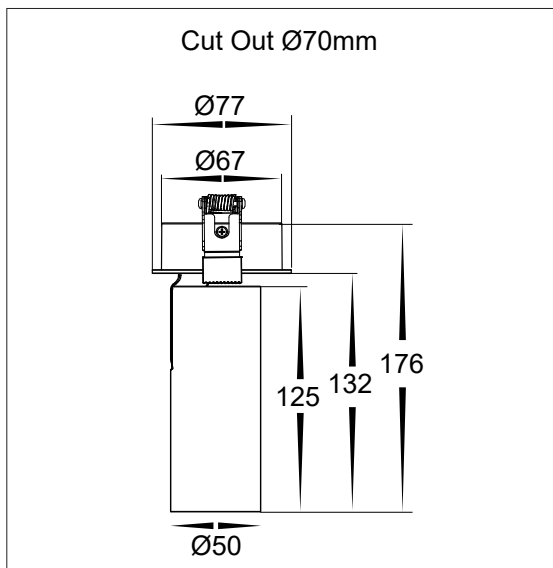
PRODUCT DATA

RECESSED SPOT LIGHT	
MATERIAL	ALUMINIUM
COLOUR/FINISH	MATT BLACK OR MATT WHITE
COLOUR TEMP	2700K 3000K 4000K 5000K 5700K
LUMEN OUTPUT	518LM 532LM 582LM 614LM 626LM
INPUT VOLTAGE	240V
BUILT-IN LED	10W
DIMMING	TRIAC
CRI	RA>90
BEAM ANGLE	60°
IP RATING	IP20

PRODUCT ORDERING

ALUMINIUM BLACK				
	HCP-1022122	10W LED	2700K 3000K 4000K 5000K 5700K	518LM 532LM 582LM 614LM 626LM
ALUMINIUM WHITE				
	HCP-1032122	10W LED	2700K 3000K 4000K 5000K 5700K	518LM 532LM 582LM 614LM 626LM
OPTIONAL LENSES				
	HCP-105001-15	15° LENS		
	HCP-105001-24	24° LENS		
	HCP-105001-38	38° LENS		
OPTIONAL INSERTS				
	HCP-105001-GR	GOLD INSERT		
	HCP-105001-BR	BLACK INSERT		
	HCP-105001-HC	HONEYCOMB INSERT		

OTHER DATA



15W SURFACE MOUNTED SPOT LIGHT



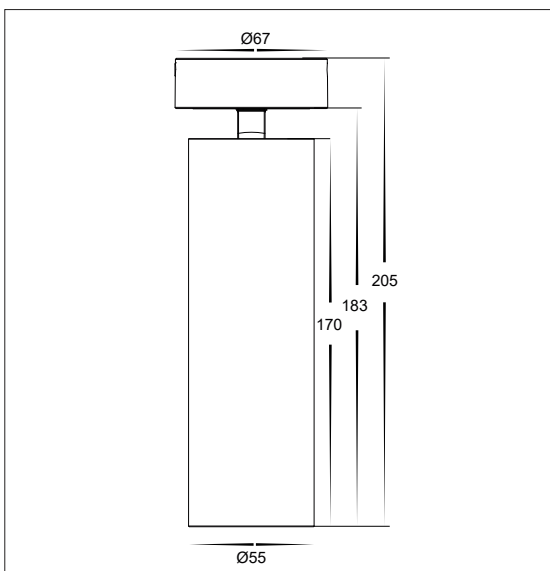
PRODUCT DATA

SURFACE MOUNTED SPOT LIGHT	
MATERIAL	ALUMINIUM
COLOUR/FINISH	MATT BLACK OR MATT WHITE
COLOUR TEMP	2700K 3000K 4000K 5000K 5700K
LUMEN OUTPUT	819LM 879LM 973LM 1000LM 876LM
INPUT VOLTAGE	240V
BUILT-IN LED	15W
DIMMING	TRIAC
CRI	RA>90
BEAM ANGLE	60°
IP RATING	IP20

PRODUCT ORDERING

ALUMINIUM BLACK				
	HCP-1022212	15W LED	2700K 3000K 4000K 5000K 5700K	816LM 879LM 973LM 1000LM 876LM
ALUMINIUM WHITE				
	HCP-1032212	15W LED	2700K 3000K 4000K 5000K 5700K	816LM 879LM 973LM 1000LM 876LM
OPTIONAL LENSES				
	HCP-105003-18	18° LENS		
	HCP-105003-24	24° LENS		
	HCP-105003-36	36° LENS		
OPTIONAL INSERTS				
	HCP-105003-GR	GOLD INSERT		
	HCP-105003-BR	BLACK INSERT		
	HCP-105003-HC	HONEYCOMB INSERT		

OTHER DATA



15W RECESSED SPOT LIGHT



SPOT LIGHTS

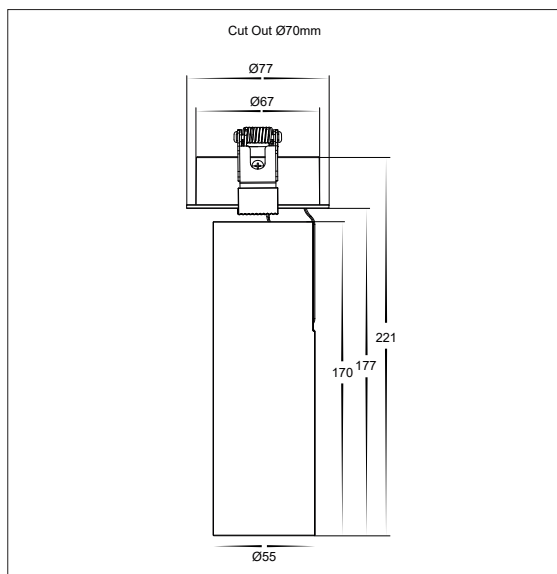
PRODUCT DATA

RECESSED SPOT LIGHT	
MATERIAL	ALUMINIUM
COLOUR/FINISH	MATT BLACK OR MATT WHITE
COLOUR TEMP	2700K 3000K 4000K 5000K 5700K
LUMEN OUTPUT	819LM 879LM 973LM 1000LM 876LM
INPUT VOLTAGE	240V
BUILT-IN LED	15W
DIMMING	TRIAC
CRI	RA>90
BEAM ANGLE	60°
IP RATING	IP20

PRODUCT ORDERING

ALUMINIUM BLACK		
	HCP-1022222	15W LED 2700K 3000K 4000K 5000K 5700K 816LM 879LM 973LM 1000LM 876LM
ALUMINIUM WHITE		
	HCP-1032222	15W LED 2700K 3000K 4000K 5000K 5700K 816LM 879LM 973LM 1000LM 876LM
OPTIONAL LENSES		
	HCP-105003-18	18° LENS
	HCP-105003-24	24° LENS
	HCP-105003-36	36° LENS
OPTIONAL INSERTS		
	HCP-105003-GR	GOLD INSERT
	HCP-105003-BR	BLACK INSERT
	HCP-105003-HC	HONEYCOMB INSERT

OTHER DATA



LED PANEL KITS - RECTANGLE 1195 X 295MM



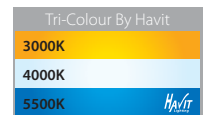
PRODUCT DATA

LED PANEL KITS	
MATERIAL	ALUMINIUM
COLOUR/FINISH	WHITE
IP RATING	IP20

PRODUCT ORDERING

MOUNTING KITS			
		HCP-17341-R-SM	SURFACE MOUNTED
	<p>CUT OUT: 1210 X 310mm</p>	HCP-17340-R-REC	RECESSED

LED PANEL - RECTANGLE 1195 X 295MM



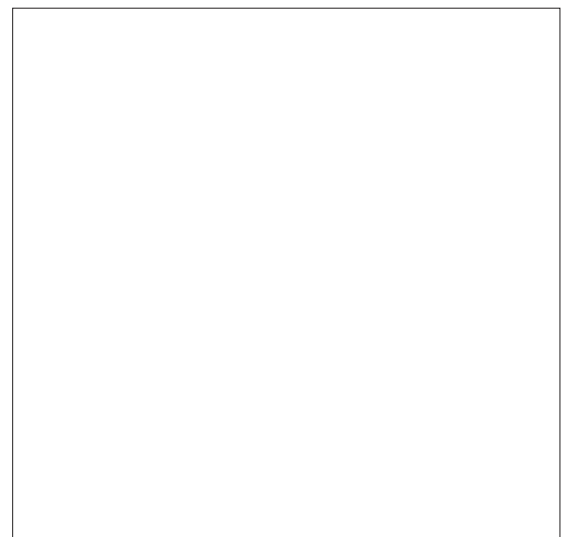
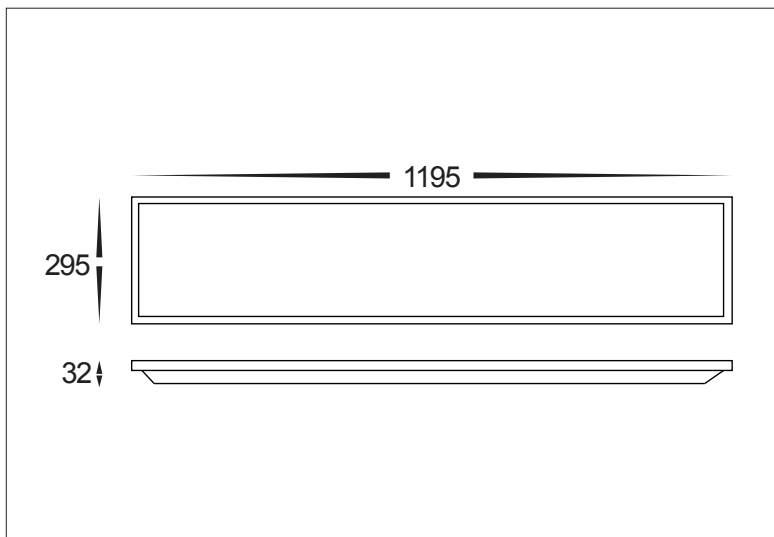
PRODUCT DATA

LED PANEL - RECTANGLE 1195x295mm	
MATERIAL	ALUMINIUM + PC
COLOUR/FINISH	MATT WHITE
COLOUR TEMPERATURE	3000K 4000K 5500K (TRI-COLOUR)
LUMEN OUTPUT	2900LM 3100LM 3300LM
INPUT VOLTAGE	240V AC (SUPPLIED WITH LED DRIVER)
BUILT-IN LED	40W
DIMMING	TRIAC, NON DIMMABLE AND DALI
CRI	RA >90
BEAM ANGLE	120°
IP RATING	IP20

PRODUCT ORDERING

ALUMINIUM WHITE				
	HCP-173400-R TRIAC	40W	3000K 4000K 5500K	2900LM 3100LM 3300LM
	HCP-173400-R-ND NON DIMMABLE	40W	3000K 4000K 5500K	2900LM 3100LM 3300LM
	HCP-173400-R-DALI DALI DIMMABLE	40W	3000K 4000K 5500K	2900LM 3100LM 3300LM

OTHER DATA



LED PANELS


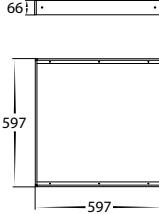
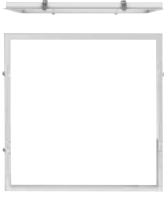
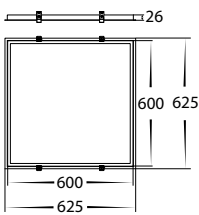
LED PANEL KITS - SQUARE 595MM X 595MM



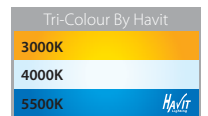
PRODUCT DATA

LED PANEL KITS	
MATERIAL	ALUMINIUM
COLOUR/FINISH	WHITE
IP RATING	IP20

PRODUCT ORDERING

MOUNTING KITS			
		HCP-17341-S-SM	SURFACE MOUNTED
	<p>CUT OUT: 610 X 610mm</p> 	HCP-17340-S-REC	RECESSED

LED PANEL - SQUARE 595MM X 595MM



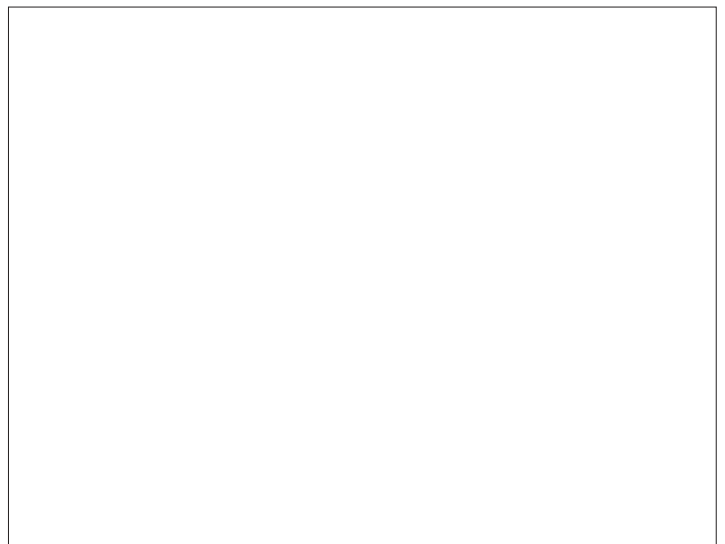
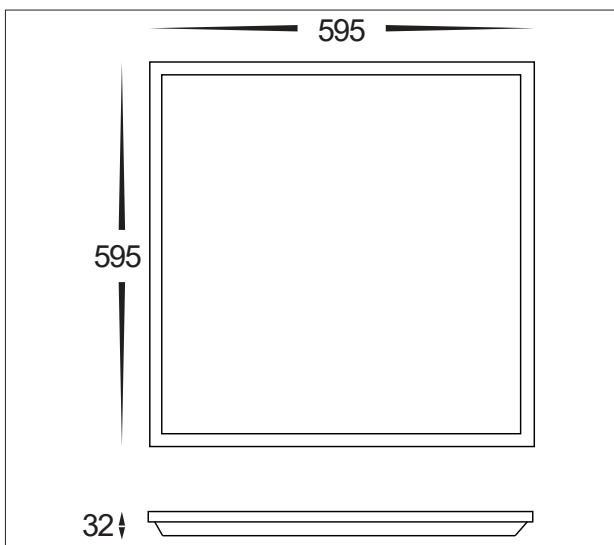
PRODUCT DATA

LED PANEL - SQUARE 595mm X 595mm	
MATERIAL	ALUMINIUM
COLOUR/FINISH	MATT WHITE
COLOUR TEMP	3000K 4000K 5500K (TRI-COLOUR)
LUMEN OUTPUT	2900LM 3100LM 3300LM
INPUT VOLTAGE	240V AC (SUPPLIED WITH LED DRIVER)
BUILT-IN LED	40W
DIMMING	TRIAC, NON DIMMABLE AND DALI
CRI	RA>90
BEAM ANGLE	120°
IP RATING	IP20

PRODUCT ORDERING

ALUMINIUM WHITE				
	HCP-173400-S TRIAC	40W	3000K 4000K 5500K	2900LM 3100LM 3300LM
	HCP-173400-S-ND NON DIMMABLE	40W	3000K 4000K 5500K	2900LM 3100LM 3300LM
	HCP-173400-S-DALI DALI DIMMABLE	40W	3000K 4000K 5500K	2900LM 3100LM 3300LM

OTHER DATA



8W FIXED DOWN WALL LIGHTS



PRODUCT DATA

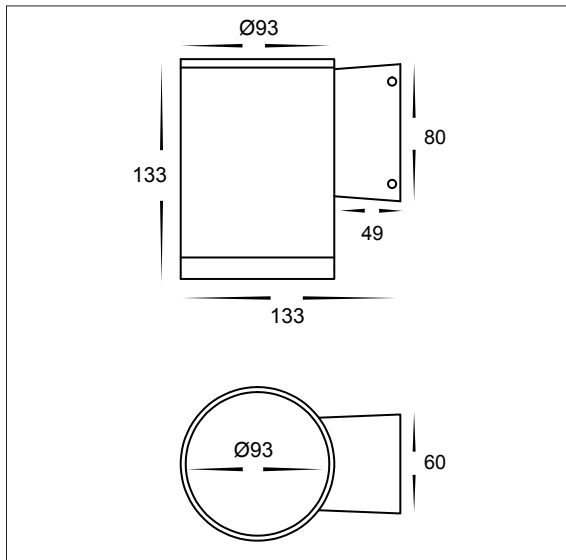
8W FIXED DOWN WALL LIGHTS	
MATERIAL	ALUMINIUM
COLOUR/FINISH	MATT BLACK OR WHITE
COLOUR TEMP.	3000K 4000K 5500K (TRI-COLOUR)
LUMEN OUTPUT	720LM 760LM 800LM
INPUT VOLTAGE	240v AC
BUILT-IN LED	8W
DIMMING	NO
CRI	RA >90
BEAM ANGLE	60°
IP RATING	IP65

PRODUCT ORDERING

Tri-Colour By Havit	
3000K	
4000K	
5500K	

ALUMINIUM BLACK				
	HCP-212080	8W LED	3000K 4000K 5500K	720LM 760LM 800LM
ALUMINIUM WHITE				
	HCP-213080	8W LED	3000K 4000K 5500K	720LM 760LM 800LM

OTHER DATA



2X 8W UP & DOWN WALL LIGHTS



Tri-Colour By Havit	
3000K	
4000K	
5500K	

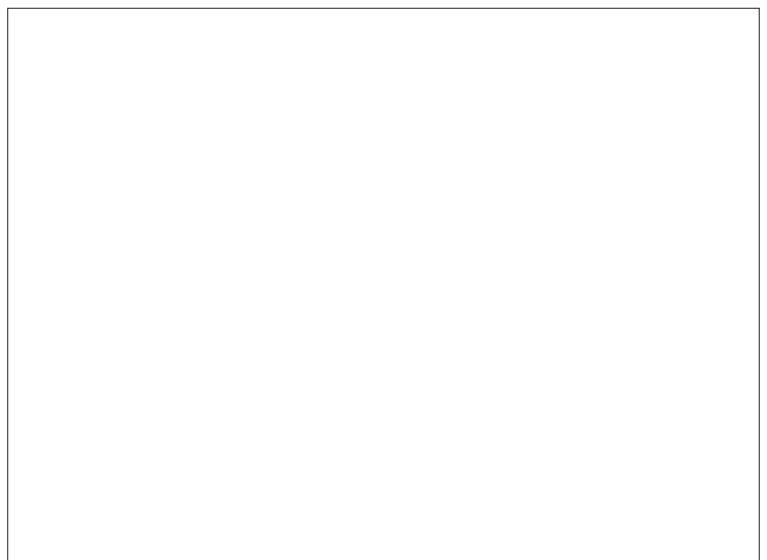
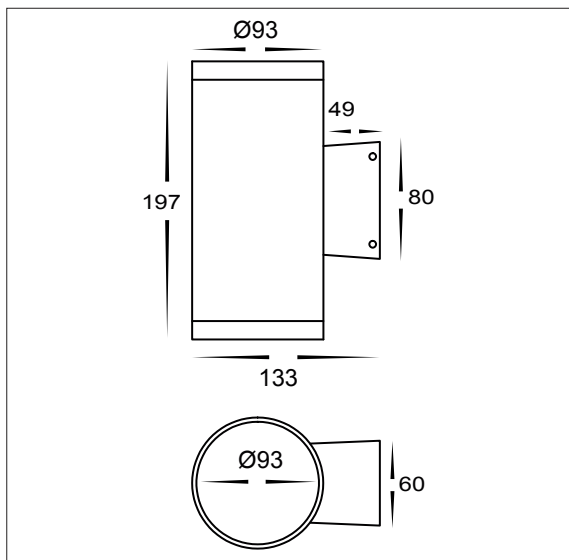
PRODUCT DATA

2x8W UP & DOWN WALL LIGHTS	
MATERIAL	ALUMINIUM
COLOUR/FINISH	MATT BLACK OR WHITE
COLOUR TEMP.	3000K 4000K 5500K (TRI-COLOUR)
LUMEN OUTPUT	2x 720LM 2x 760LM 2x 800LM
INPUT VOLTAGE	240v AC
BUILT-IN LED	2x 8W
DIMMING	NO
CRI	RA >90
BEAM ANGLE	60°
IP RATING	IP65

PRODUCT ORDERING

ALUMINIUM BLACK				
	HCP-212160	2X 8W LED	3000K 4000K 5500K	2x 720LM 2x 760LM 2x 800LM
ALUMINIUM WHITE				
	HCP-213160	2X 8W LED	3000K 4000K 5500K	2x 720LM 2x 760LM 2x 800LM

OTHER DATA



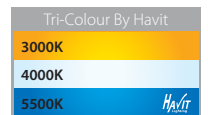
12W FIXED DOWN WALL LIGHTS





PRODUCT DATA

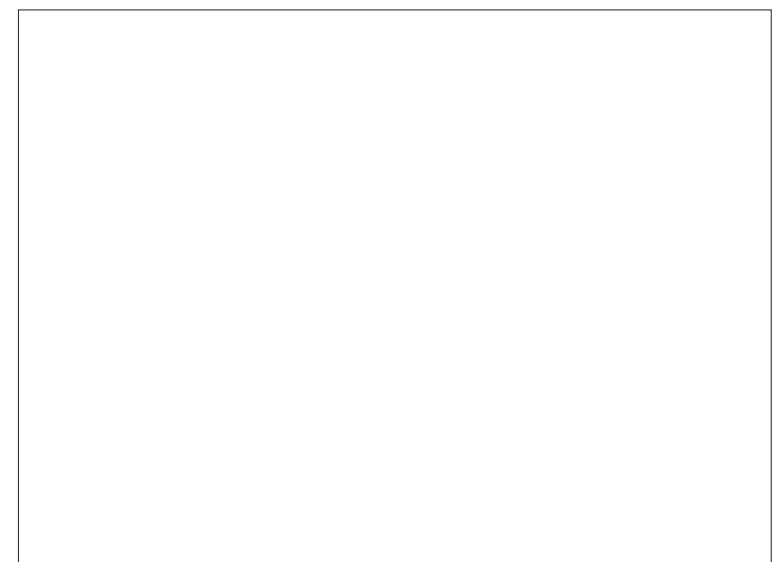
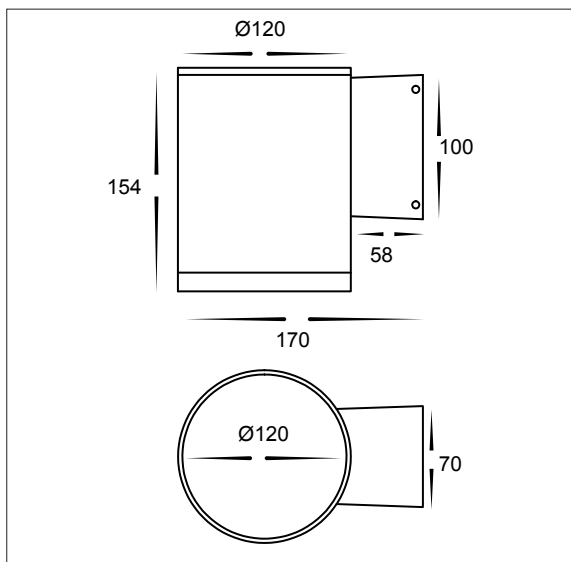
12W FIXED DOWN WALL LIGHTS	
MATERIAL	ALUMINIUM
COLOUR/FINISH	MATT BLACK OR WHITE
COLOUR TEMP.	3000K 4000K 5500K (TRI-COLOUR)
LUMEN OUTPUT	1080LM 1140LM 1200LM
INPUT VOLTAGE	240V AC
BUILT-IN LED	12W
DIMMING	NO
CRI	RA >90
BEAM ANGLE	60°
IP RATING	IP65

PRODUCT ORDERING



ALUMINIUM BLACK				
	HCP-212120	12W LED	3000K 4000K 5500K	1080LM 1140LM 1200LM
ALUMINIUM WHITE				
	HCP-213120	12W LED	3000K 4000K 5500K	1080LM 1140LM 1200LM

OTHER DATA





2X 12W UP & DOWN WALL LIGHTS






PRODUCT DATA


2x12W UP & DOWN WALL LIGHTS	
MATERIAL	ALUMINIUM
COLOUR/FINISH	MATT BLACK OR WHITE
COLOUR TEMP.	3000K 4000K 5500K (TRI-COLOUR)
LUMEN OUTPUT	2X 1080LM 2X 1140LM 2X 1200LM
INPUT VOLTAGE	240V AC
BUILT-IN LED	2X 12W
DIMMING	NO
CRI	RA >90
BEAM ANGLE	60°
IP RATING	IP65

PRODUCT ORDERING

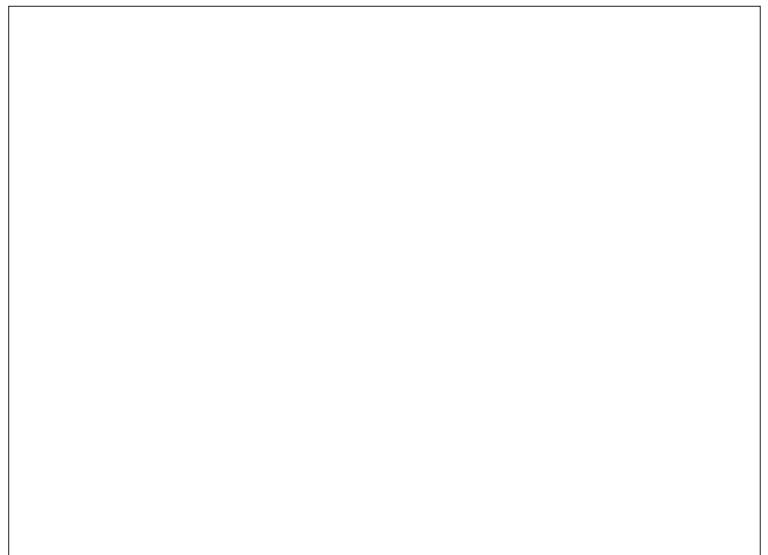
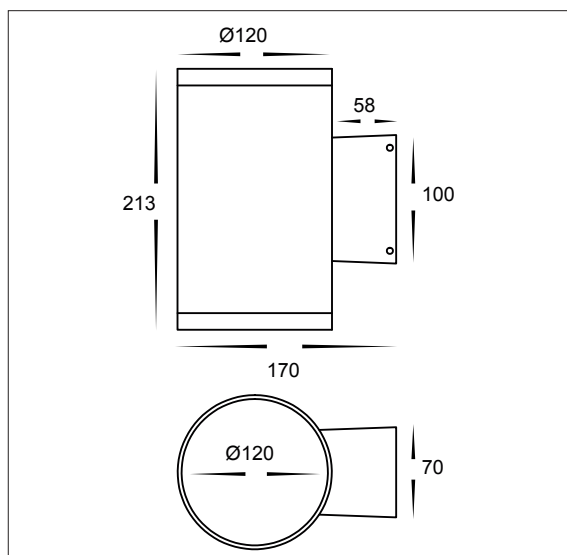
ALUMINIUM BLACK				
	HCP-212240	2x 12W LED	3000K 4000K 5500K	2x 1080LM 2x 1140LM 2x 1200LM
ALUMINIUM WHITE				
	HCP-213240	2x 12W LED	3000K 4000K 5500K	2x 1080LM 2x 1140LM 2x 1200LM

Tri-Colour By Havit

3000K	
4000K	
5500K	



OTHER DATA



4
OUTDOOR WALL LIGHTS

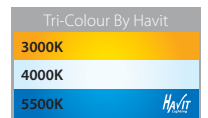
15W FIXED DOWN WALL LIGHTS





PRODUCT DATA

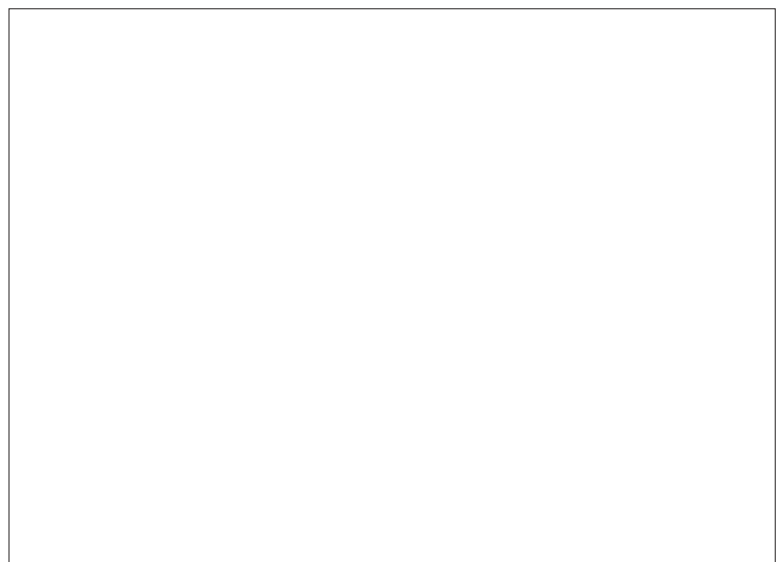
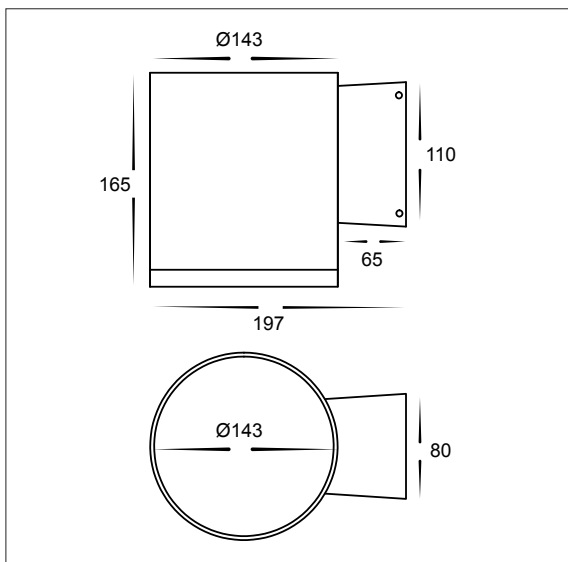
15W FIXED DOWN WALL LIGHTS	
MATERIAL	ALUMINIUM
COLOUR/FINISH	MATT BLACK OR WHITE
COLOUR TEMP.	3000K 4000K 5500K (TRI-COLOUR)
LUMEN OUTPUT	1350LM 1425LM 1500LM
INPUT VOLTAGE	240V AC
BUILT-IN LED	15W
DIMMING	NO
CRI	RA >90
BEAM ANGLE	60°
IP RATING	IP65

PRODUCT ORDERING



ALUMINIUM BLACK				
	HCP-212150	15W LED	3000K 4000K 5500K	1350LM 1425LM 1500LM
ALUMINIUM WHITE				
	HCP-213150	15W LED	3000K 4000K 5500K	1350LM 1425LM 1500LM

OTHER DATA



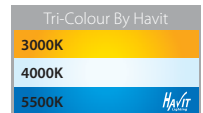
2X 15W UP & DOWN WALL LIGHTS





PRODUCT DATA

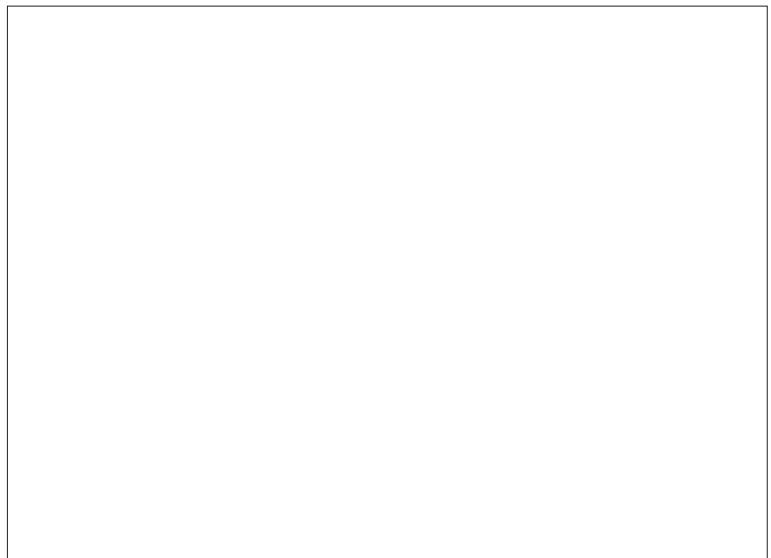
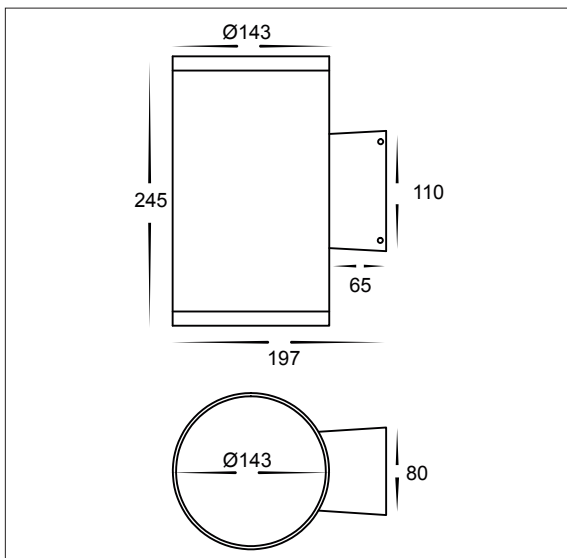
2x15W UP & DOWN WALL LIGHTS	
MATERIAL	ALUMINIUM
COLOUR/FINISH	MATT BLACK OR WHITE
COLOUR TEMP.	3000K 4000K 5500K (TRI-COLOUR)
LUMEN OUTPUT	2X 1350LM 2X 1425LM 2X 1500LM
INPUT VOLTAGE	240V AC
BUILT-IN LED	2X 15W
DIMMING	NO
CRI	RA >90
BEAM ANGLE	60°
IP RATING	IP65

PRODUCT ORDERING



ALUMINIUM BLACK				
	HCP-212300	2x 15W LED	3000K 4000K 5500K	2x 1350LM 2x 1425LM 2x 1500LM
ALUMINIUM WHITE				
	HCP-213300	2x 15W LED	3000K 4000K 5500K	2x 1350LM 2x 1425LM 2x 1500LM

OTHER DATA



4

OUTDOOR WALL LIGHTS



3W RECESSED STEP LIGHTS



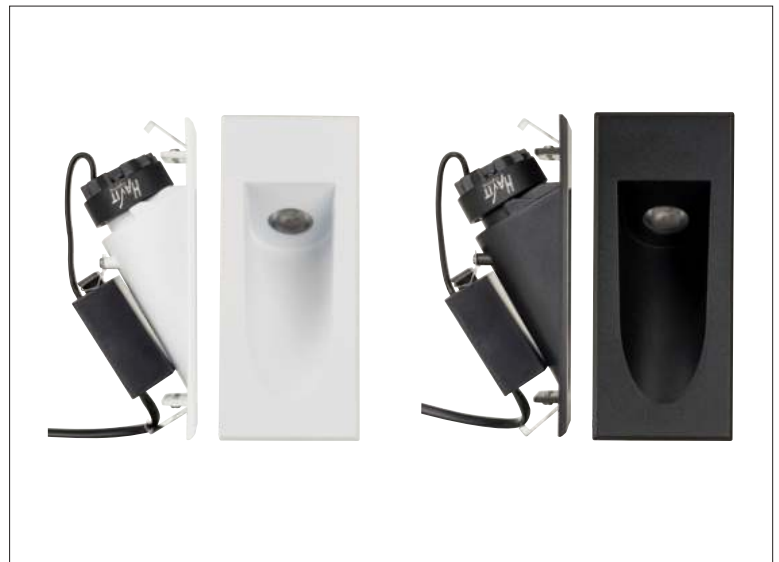
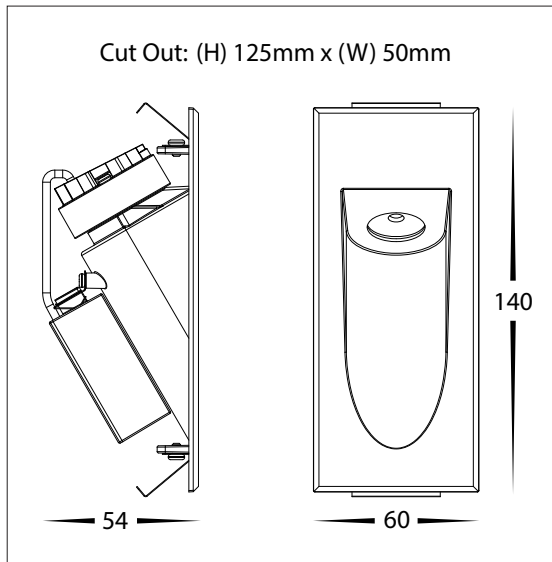
PRODUCT DATA

STEP LIGHTS	
MATERIAL	ALUMINIUM
COLOUR/FINISH	MATT BLACK OR WHITE
COLOUR TEMP	3000K 4000K 5000K
LUMEN OUTPUT	119LM 124LM 129LM
INPUT VOLTAGE	240V (SUPPLIED WITH LED DRIVER)
BUILT-IN LED	3W
DIMMING	TRIAC
CUT OUT	125MM X 50MM
CRI	RA>90
BEAM ANGLE	ASYMMETRIC 25°
IP RATING	IP54

PRODUCT ORDERING

ALUMINIUM BLACK				
	HCP-2220332	3000K	119LM	3W LED
	HCP-2220342	4000K	124LM	
	HCP-2220352	5000K	129LM	
ALUMINIUM WHITE				
	HCP-2230332	3000K	119LM	3W LED
	HCP-2230342	4000K	124LM	
	HCP-2230352	5000K	129LM	

OTHER DATA





3W RECESSED STEP LIGHTS



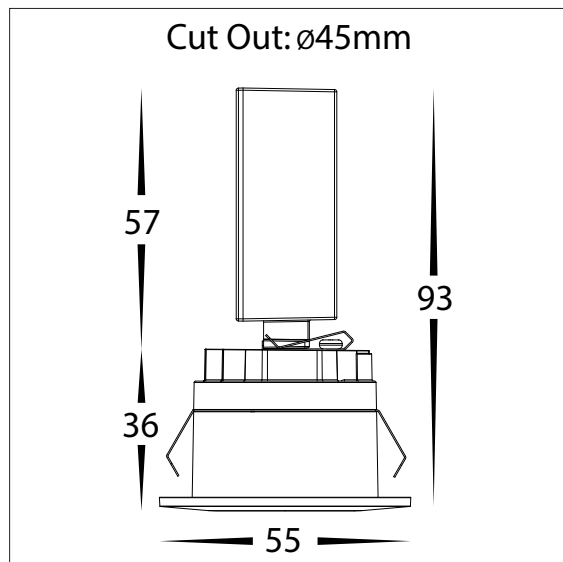
PRODUCT DATA

STEP LIGHTS	
MATERIAL	ALUMINIUM
COLOUR/FINISH	MATT BLACK OR WHITE
COLOUR TEMP	3000K 4000K 5000K
LUMEN OUTPUT	36LM 34LM 52LM
INPUT VOLTAGE	240V (SUPPLIED WITH LED DRIVER)
BUILT-IN LED	3W
DIMMING	TRIAC
CUT OUT	Ø45MM
CRI	RA>90
BEAM ANGLE	ASYMMETRIC 25°
IP RATING	IP54

PRODUCT ORDERING

ALUMINIUM BLACK				
	HCP-2221332	3000K	36LM	3W LED
	HCP-2221342	4000K	34LM	
	HCP-2221352	5000K	52LM	
ALUMINIUM WHITE				
	HCP-2231332	3000K	36LM	3W LED
	HCP-2231342	4000K	34LM	
	HCP-2231352	5000K	52LM	

OTHER DATA





3W RECESSED STEP LIGHTS



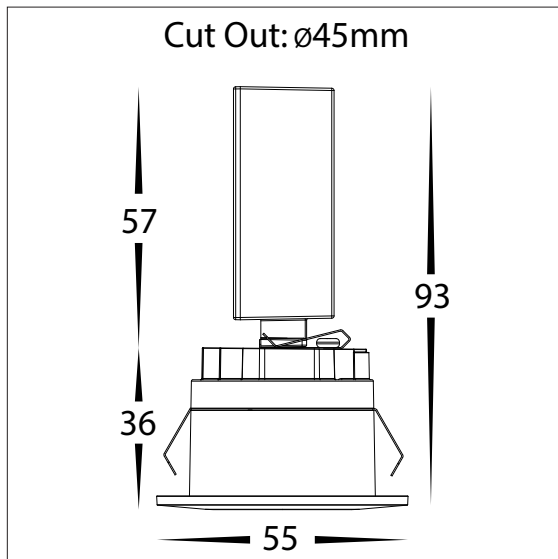
PRODUCT DATA

STEP LIGHTS	
MATERIAL	ALUMINIUM
COLOUR/FINISH	MATT BLACK OR WHITE
COLOUR TEMP	3000K 4000K 5000K
LUMEN OUTPUT	48LM 46LM 49LM
INPUT VOLTAGE	240V (SUPPLIED WITH LED DRIVER)
BUILT-IN LED	3W
DIMMING	TRIAC
CUT OUT	Ø45MM
CRI	RA>90
BEAM ANGLE	ASYMMETRIC 15°
IP RATING	IP54

PRODUCT ORDERING

ALUMINIUM BLACK				
	HCP-2222332	3000K	48LM	3W LED
	HCP-2222342	4000K	46LM	
	HCP-2222352	5000K	49LM	
ALUMINIUM WHITE				
	HCP-2232332	3000K	48LM	3W LED
	HCP-2232342	4000K	46LM	
	HCP-2232352	5000K	49LM	

OTHER DATA



3W RECESSED STEP LIGHTS



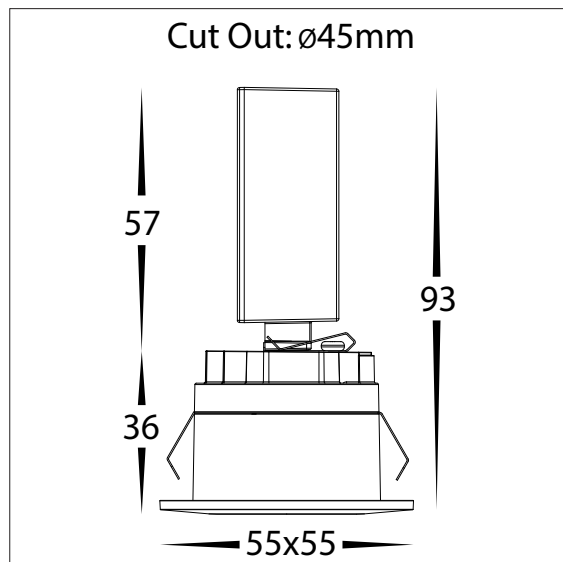
PRODUCT DATA

STEP LIGHTS	
MATERIAL	ALUMINIUM
COLOUR/FINISH	MATT BLACK OR WHITE
COLOUR TEMP	3000K 4000K 5000K
LUMEN OUTPUT	36LM 34LM 52LM
INPUT VOLTAGE	240V (SUPPLIED WITH LED DRIVER)
BUILT-IN LED	3W
DIMMING	TRIAC
CUT OUT	Ø45MM
CRI	RA>90
BEAM ANGLE	ASYMMETRIC 25°
IP RATING	IP54

PRODUCT ORDERING

ALUMINIUM BLACK				
	HCP-2223332	3000K	36LM	3W LED
	HCP-2223342	4000K	34LM	
	HCP-2223352	5000K	52LM	
ALUMINIUM WHITE				
	HCP-2233332	3000K	36LM	3W LED
	HCP-2233342	4000K	34LM	
	HCP-2233352	5000K	52LM	

OTHER DATA





3W RECESSED STEP LIGHTS



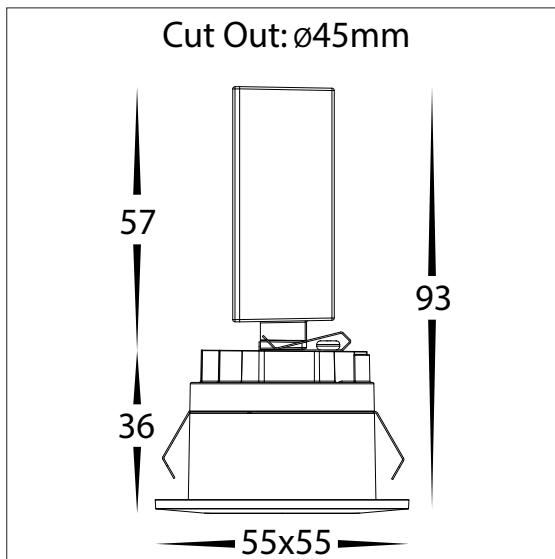
PRODUCT DATA

STEP LIGHTS	
MATERIAL	ALUMINIUM
COLOUR/FINISH	MATT BLACK OR WHITE
COLOUR TEMP	3000K 4000K 5000K
LUMEN OUTPUT	48LM 46LM 49LM
INPUT VOLTAGE	240V (SUPPLIED WITH LED DRIVER)
BUILT-IN LED	3W
DIMMING	TRIAC
CUT OUT	Ø45MM
CRI	RA>90
BEAM ANGLE	ASYMMETRIC 15°
IP RATING	IP54

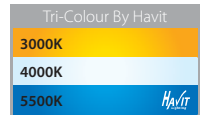
PRODUCT ORDERING

ALUMINIUM BLACK				
	HCP-2224332	3000K	48LM	3W LED
	HCP-2224342	4000K	46LM	
	HCP-2224352	5000K	49LM	
ALUMINIUM WHITE				
	HCP-2234332	3000K	48LM	3W LED
	HCP-2234342	4000K	46LM	
	HCP-2234352	5000K	49LM	

OTHER DATA



10W ALUMINIUM WALL WASHERS



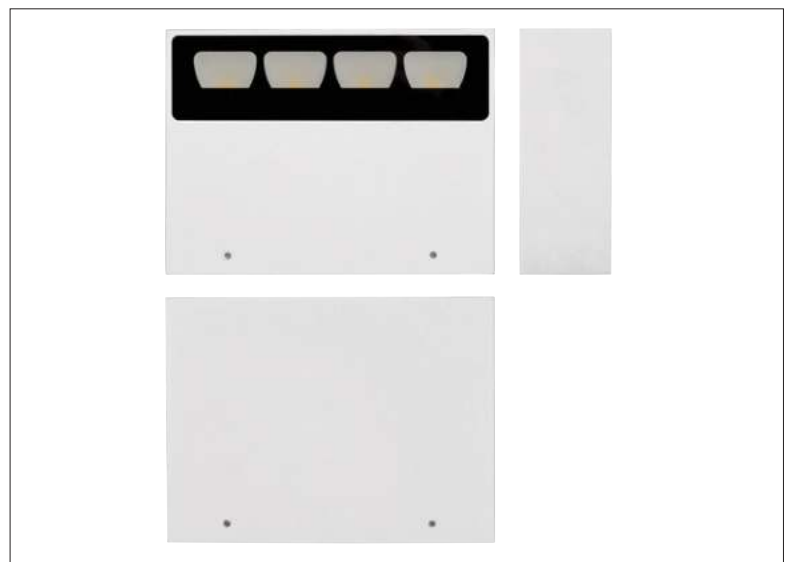
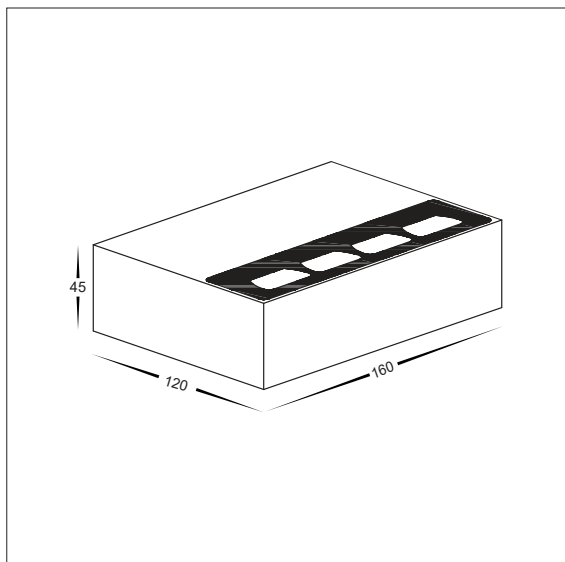
PRODUCT ORDERING

PRODUCT DATA

WALL WASHER	
MATERIAL	ALUMINIUM
COLOUR/FINISH	MATT BLACK OR WHITE
COLOUR TEMP	3000K 4000K 5500K (TRI-COLOUR)
LUMEN OUTPUT	635LM 775LM 800LM
INPUT VOLTAGE	240V
BUILT IN LED	10W
DIMMING	TRIAC OR DALI
CRI	90+
BEAM ANGLE	60°
IP RATING	IP65

ALUMINIUM BLACK				
	HCP-2321002 TRIAC	10W LED	3000K 4000K 5500K	635LM 775LM 800LM
	HCP-2321004 DALI DIMMABLE	10W LED	3000K 4000K 5500K	635LM 775LM 800LM
ALUMINIUM WHITE				
	HCP-2331002 TRIAC	10W LED	3000K 4000K 5500K	635LM 775LM 800LM
	HCP-2331004 DALI DIMMABLE	10W LED	3000K 4000K 5500K	635LM 775LM 800LM

OTHER DATA



30W ALUMINIUM WALL WASHERS



Tri-Colour By Havit	
3000K	
4000K	
5500K	Havit

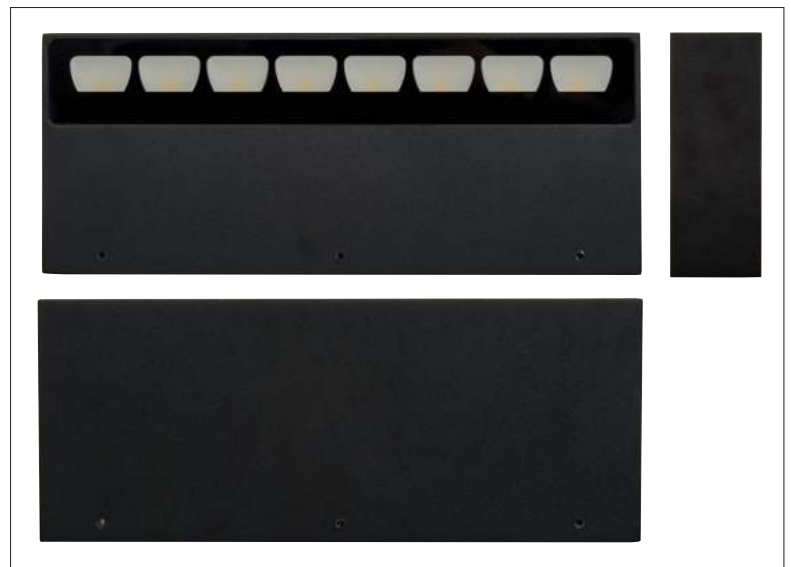
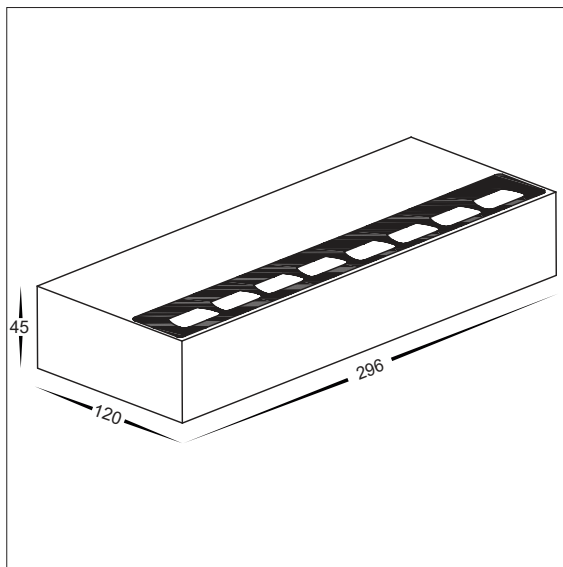
PRODUCT ORDERING

PRODUCT DATA

WALL WASHER	
MATERIAL	ALUMINIUM
COLOUR/FINISH	MATT BLACK OR WHITE
COLOUR TEMP	3000K 4000K 5500K (TRI-COLOUR)
LUMEN OUTPUT	1445LM 1775LM 1850LM
INPUT VOLTAGE	240V
BUILT IN LED	30W
DIMMING	TRIAC OR DALI
CRI	90+
BEAM ANGLE	60°
IP RATING	IP65

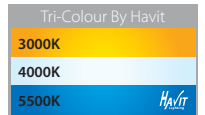
ALUMINIUM BLACK				
	HCP-2323002 TRIAC	30W LED	3000K 4000K 5500K	1445LM 1775LM 1850LM
	HCP-2323004 DALI DIMMABLE	30W LED	3000K 4000K 5500K	1445LM 1775LM 1850LM
ALUMINIUM WHITE				
	HCP-2333002 TRIAC	30W LED	3000K 4000K 5500K	1445LM 1775LM 1850LM
	HCP-2333004 DALI DIMMABLE	30W LED	3000K 4000K 5500K	1445LM 1775LM 1850LM

OTHER DATA







40W ALUMINIUM WALL WASHERS



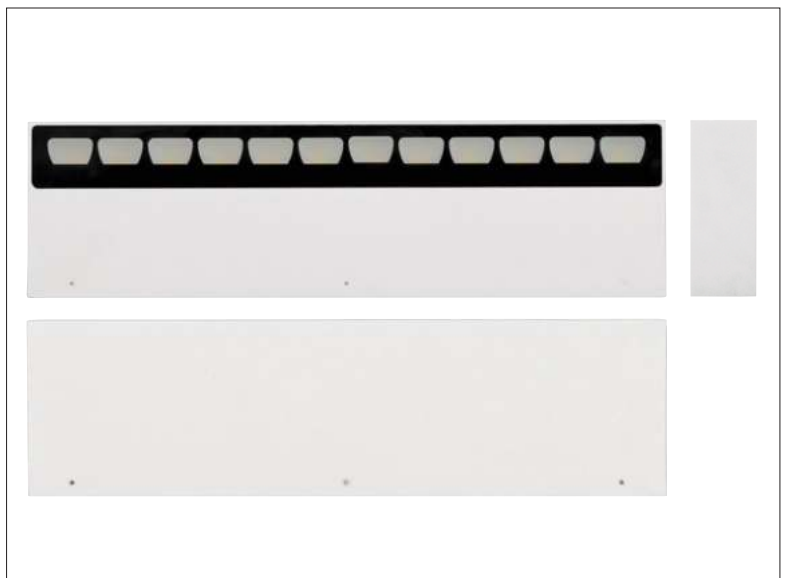
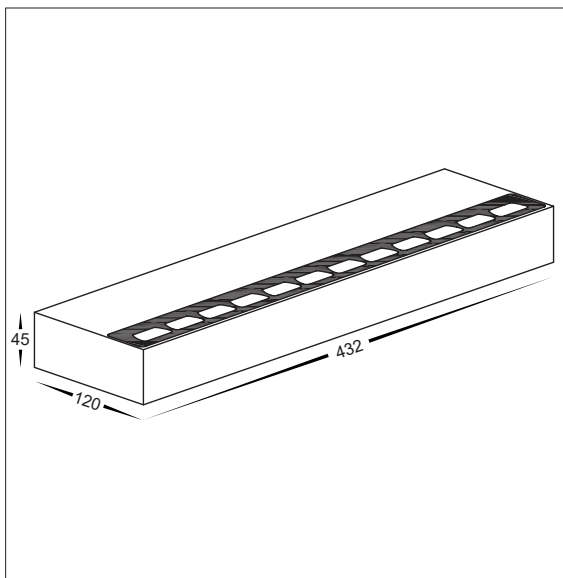
PRODUCT ORDERING

PRODUCT DATA

WALL WASHER	
MATERIAL	ALUMINIUM
COLOUR/FINISH	MATT BLACK OR WHITE
COLOUR TEMP	3000K 4000K 5500K (TRI-COLOUR)
LUMEN OUTPUT	1945LM 2385LM 2465LM
INPUT VOLTAGE	240V
BUILT IN LED	40W
DIMMING	TRIAC OR DALI
CRI	90+
BEAM ANGLE	60°
IP RATING	IP65

ALUMINIUM BLACK				
	HCP-2324002 TRIAC	40W LED	3000K 4000K 5500K	1945LM 2385LM 2465LM
	HCP-2324004 DALI DIMMABLE	40W LED	3000K 4000K 5500K	1945LM 2385LM 2465LM
ALUMINIUM WHITE				
	HCP-2334002 TRIAC	40W LED	3000K 4000K 5500K	1945LM 2385LM 2465LM
	HCP-2334004 DALI DIMMABLE	40W LED	3000K 4000K 5500K	1945LM 2385LM 2465LM

OTHER DATA




BENDABLE WALL WASHERS



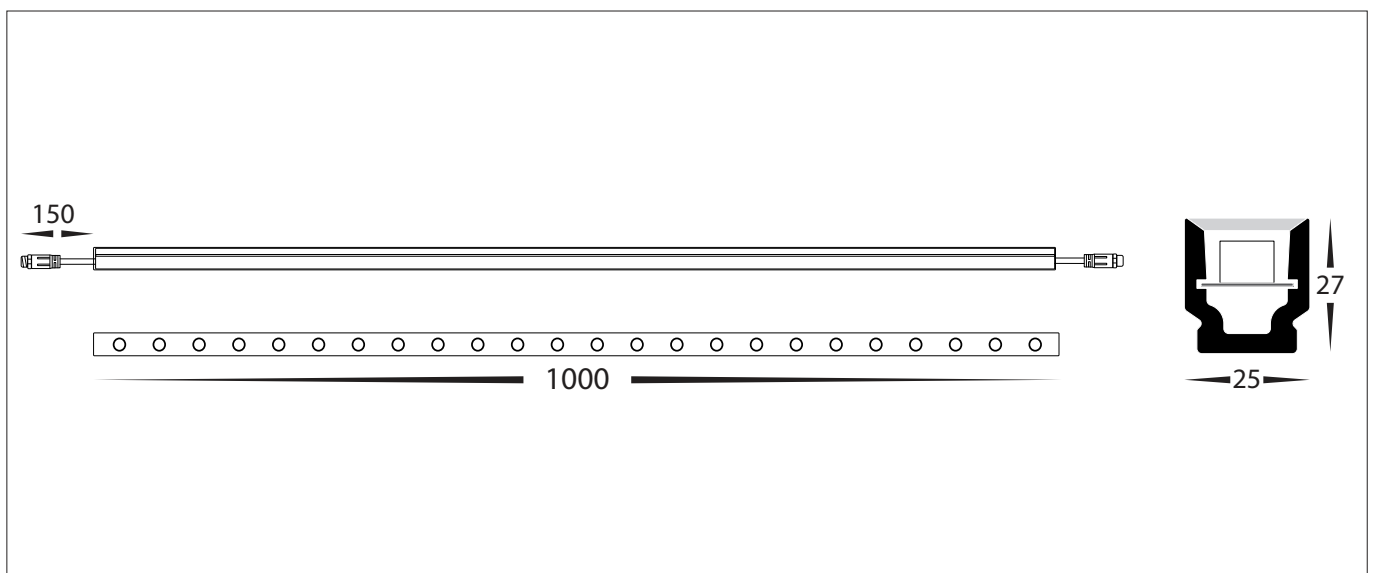
PRODUCT DATA

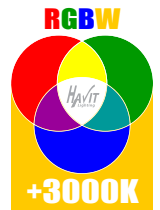
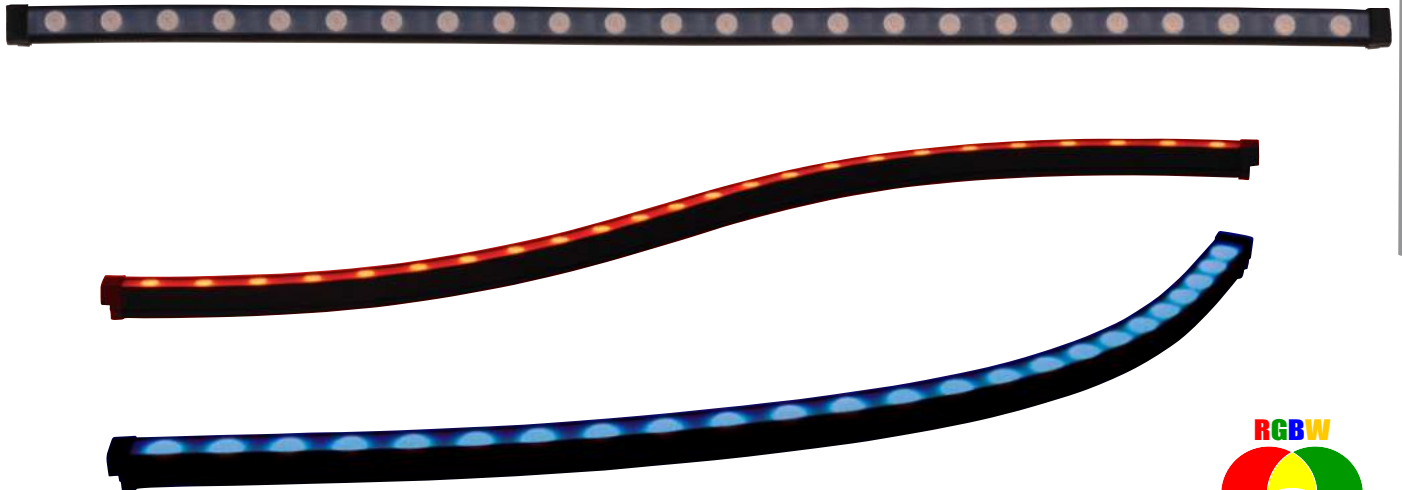
18W WALL WASHER	
MATERIAL	SILICON
COLOUR/FINISH	MATT BLACK
COLOUR TEMP.	3000K 4000K 6000K
LUMEN OUTPUT	1195LM 1210LM 1310LM
INPUT VOLTAGE	24V DC
BUILT-IN LED	18W LED
DIMMING	NO
MOUNTING	SUPPLIED WITH 4X CLIPS PER METRE
CRI	80+
BEAM ANGLE	45°
IP RATING	IP65

PRODUCT ORDERING

SILICON BLACK				
	HCP-247183-45	18W LED	3000K	1195LM
	HCP-247184-45	18W LED	4000K	1210LM
	HCP-247186-45	18W LED	6000K	1310LM
CHANNEL				
HCP-24718-BEND		BENDABLE ALUMINIUM CHANNEL - 1M LENGTHS		
HCP-24718-ALU		ALUMINIUM CHANNEL - 1M LENGTHS		

OTHER DATA






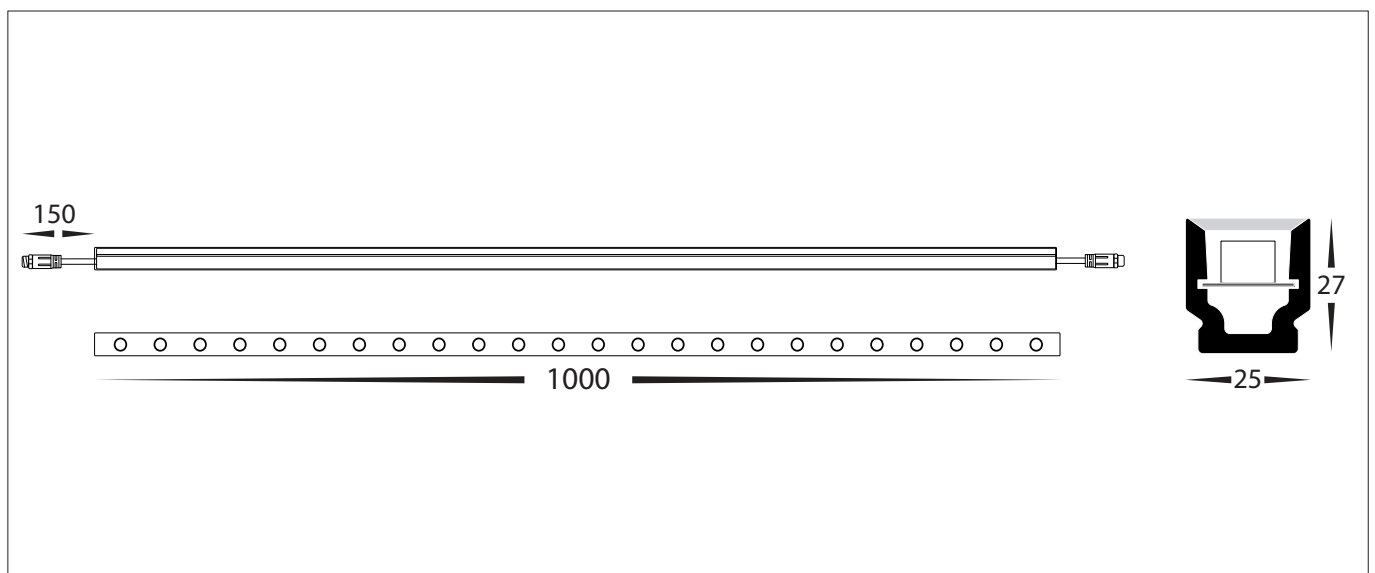
PRODUCT DATA

18W WALL WASHER	
MATERIAL	SILICON
COLOUR/FINISH	MATT BLACK
COLOUR TEMP.	RGBW
LUMEN OUTPUT	278LM (3000K)
INPUT VOLTAGE	24V DC
BUILT-IN LED	18W LED
DIMMING	YES WITH CONTROLLER
MOUNTING	SUPPLIED WITH 4X CLIPS PER METRE
CRI	80+
BEAM ANGLE	45°
IP RATING	IP65

PRODUCT ORDERING

SILICON BLACK				
	HCP-247181-45	18W LED	RGB + 3000K	278LM (3000K)
CHANNEL				
HCP-24718-BEND	BENDABLE ALUMINIUM CHANNEL - 1M LENGTHS			
HCP-24718-ALU	ALUMINIUM CHANNEL - 1M LENGTHS			

OTHER DATA




WALL WASHERS



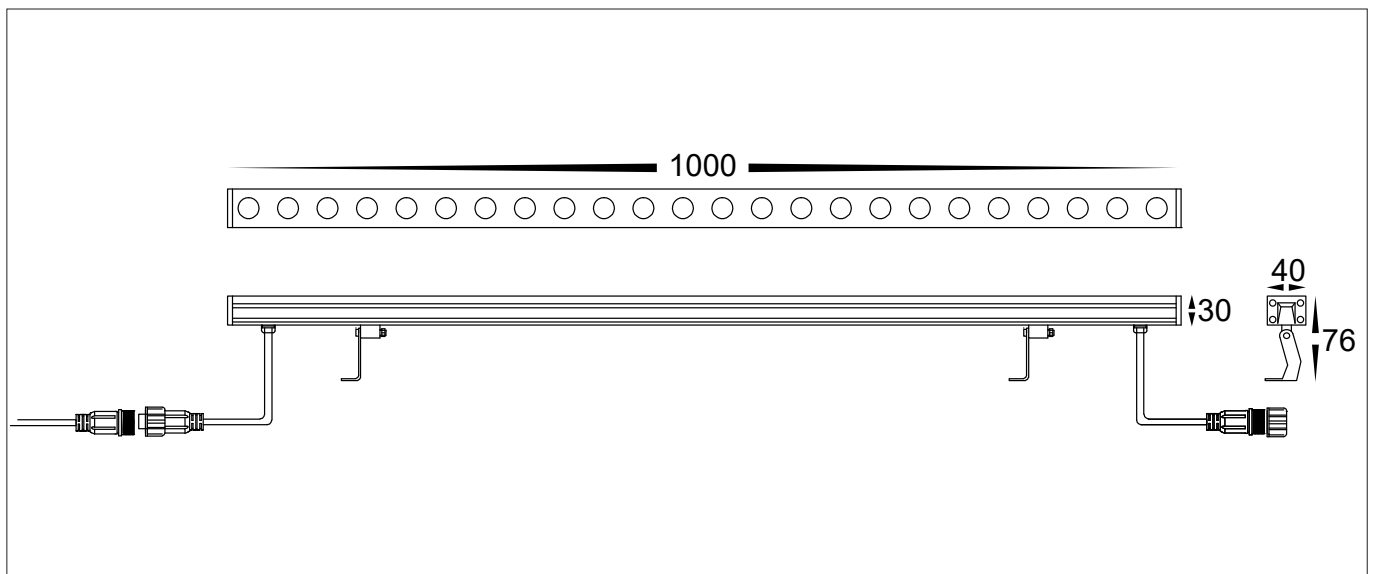
PRODUCT DATA

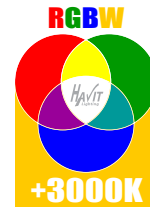
24W WALL WASHER	
MATERIAL	ALUMINIUM
COLOUR/FINISH	MATT BLACK
COLOUR TEMP.	3000K 4000K 5000K
LUMEN OUTPUT	1835LM 1850LM 2010LM
INPUT VOLTAGE	24V DC
BUILT-IN LED	24W LED
DIMMING	YES
CRI	RA >80
BEAM ANGLE	45°
IP RATING	IP65

PRODUCT ORDERING

ALUMINIUM BLACK				
	HCP-247243-45	24W LED	3000K	1835LM
	HCP-247244-45	24W LED	4000K	1850LM
	HCP-247245-45	24W LED	5000K	2010LM
CABLE EXTENSION				
HCP-24700-EXT			1500MM EXTENSION CABLE TO CONNECT 2X FITTINGS TOGETHER	

OTHER DATA






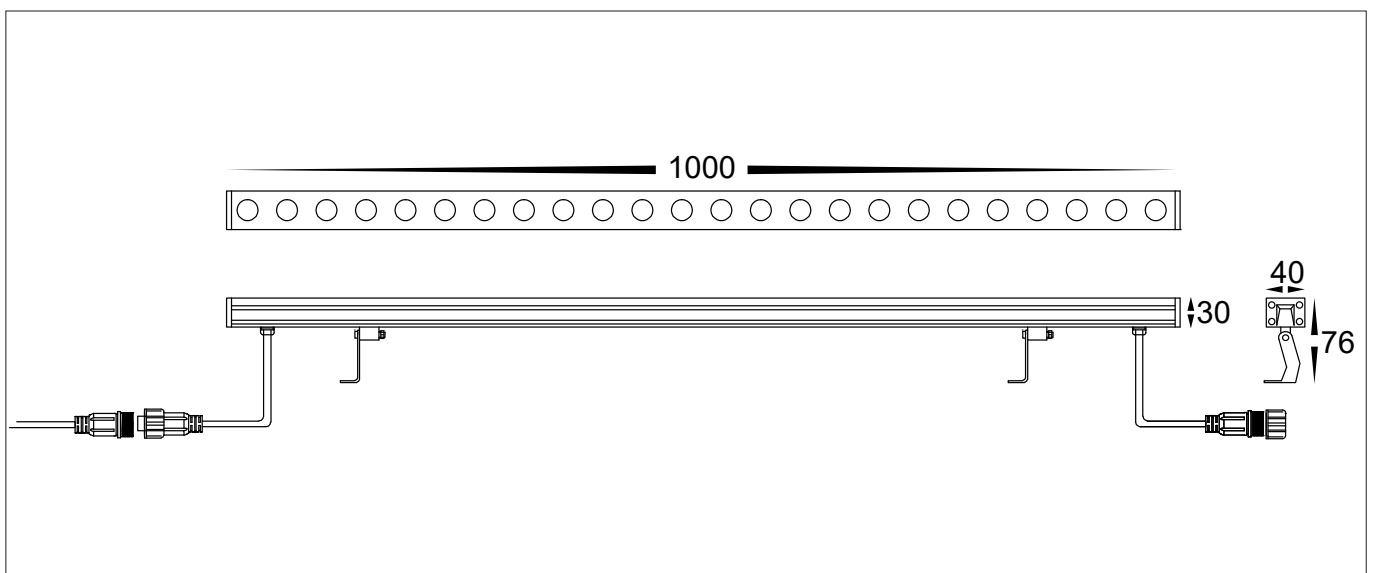
PRODUCT DATA

24W WALL WASHER	
MATERIAL	ALUMINIUM
COLOUR/FINISH	MATT BLACK
COLOUR TEMP.	RGBC AND RGBW
LUMEN OUTPUT	1270LM 1276LM
INPUT VOLTAGE	24V DC
BUILT-IN LED	18W LED
DIMMING	YES WITH CONTROLLER
CRI	RA >80
BEAM ANGLE	45°
IP RATING	IP65

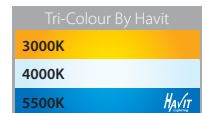
PRODUCT ORDERING

ALUMINIUM BLACK				
	HCP-247240-45	24W LED	RGB + 5500K	1270LM (5500K)
	HCP-247241-45	24W LED	RGB + 3000K	1276LM (3000K)
CABLE EXTENSION				
HCP-24701-EXT		1500MM EXTENSION CABLE TO CONNECT 2X FITTINGS TOGETHER		

OTHER DATA






IP65 LED BATTENS



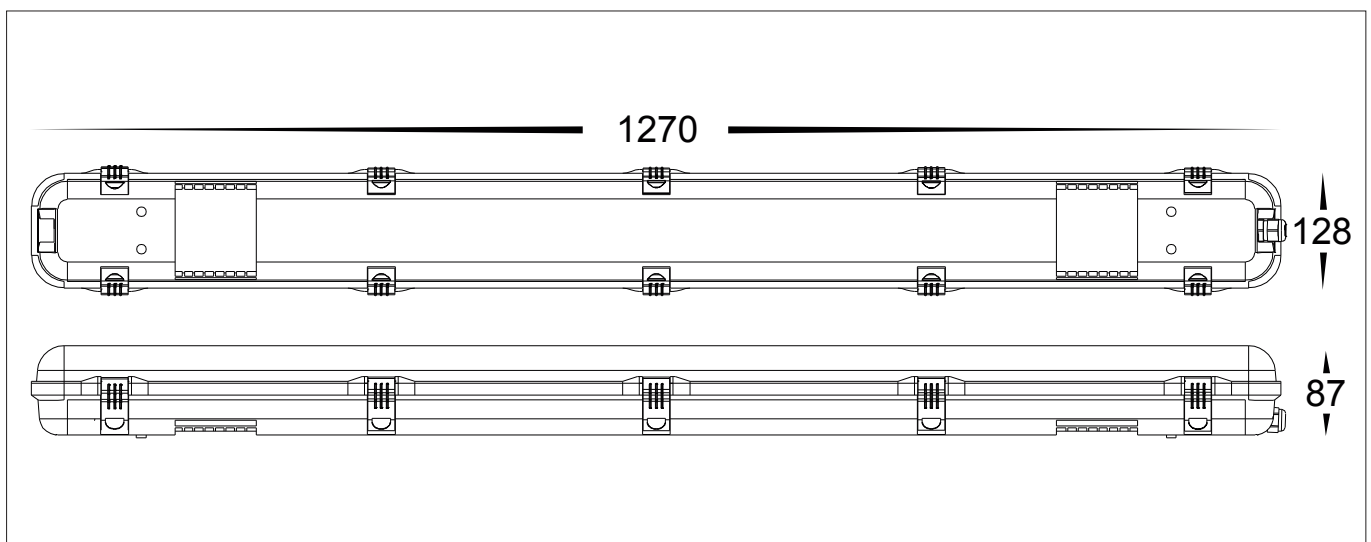
PRODUCT ORDERING

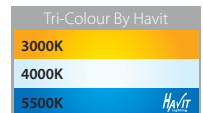
PRODUCT DATA

20/40W IP65 LED BATTEN	
MATERIAL	PC + STAINLESS STEEL CLIPS
COLOUR/FINISH	MATT WHITE + GREY
COLOUR TEMP.	3000K 4000K 5500K (TRI-COLOUR)
LUMEN OUTPUT	3261LM 3649LM 3400LM
INPUT VOLTAGE	240V AC
BUILT-IN LED	20W OR 40W (SELECTOR ON DRIVER)
MANUAL TEST SWITCH	YES (ON EMERGENCY MODEL ONLY)
CRI	RA >80
BEAM ANGLE	120°
IP RATING	IP65
IK RATING	IK08

NON EMERGENCY				
	HCP-238400	40W LED	3000K 4000K 5500K	3261LM 3649LM 3400LM
EMERGENCY				
	HCP-238400-EM	40W LED	3000K 4000K 5500K	3261LM 3649LM 3400LM
ACCESSORIES				
	HCP-23840-MC	MICROWAVE SENSOR INPUT VOLTAGE: DC5V - 12V 5.8GHZ C/W RADAR TIME DELAY: 2 SEC-10MIN IP RATING: IP20 STAND BY OUTPUT: 0-50% DETECTION DISTANCE: UP TO 15M DETECTION ANGLE: 360°		

OTHER DATA








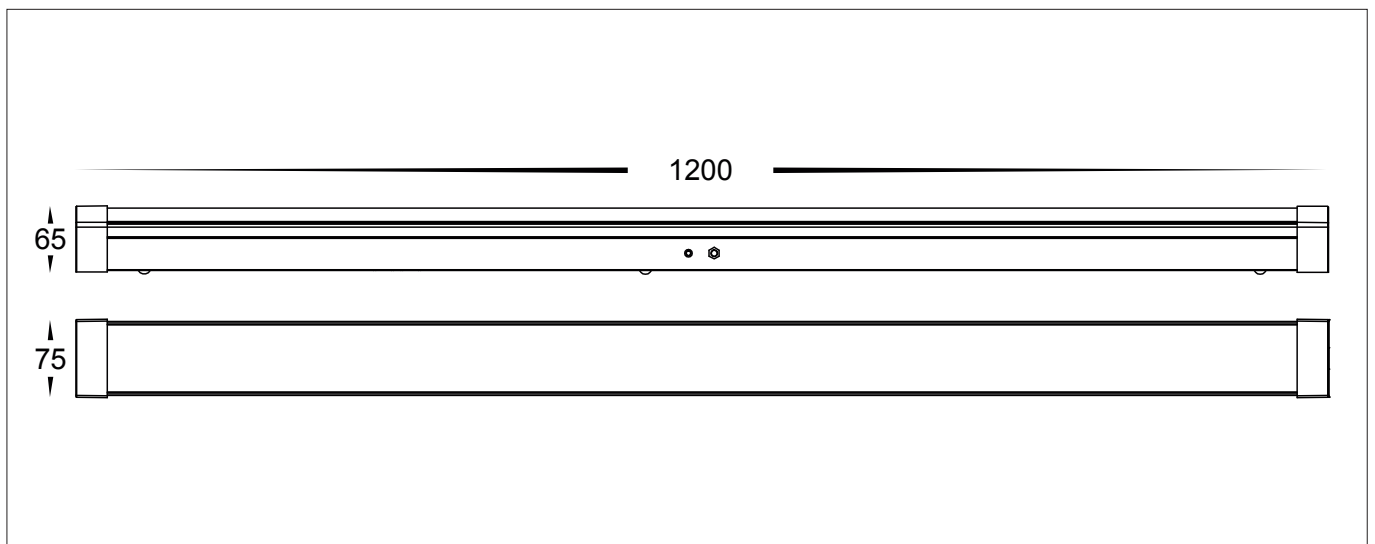
PRODUCT DATA

20/40W IP20 LED BATTEN	
MATERIAL	ALUMINIUM +PC
COLOUR/FINISH	MATT WHITE
COLOUR TEMP.	3000K 4000K 5500K (TRI-COLOUR)
LUMEN OUTPUT	2704LM 3127LM 2845LM
INPUT VOLTAGE	240V AC
BUILT-IN LED	20W OR 40W (SELECTOR ON DRIVER)
MANUAL TEST SWITCH	YES (ON EMERGENCY MODEL ONLY)
CRI	RA >80
BEAM ANGLE	120°
IP RATING	IP20
IK RATING	IK08

PRODUCT ORDERING

NON EMERGENCY				
	HCP-238401	40W LED	3000K 4000K 5500K	2704LM 3127LM 2845LM
EMERGENCY				
	HCP-238401-EM	40W LED	3000K 4000K 5500K	2704LM 3127LM 2845LM
ACCESSORIES				
	HCP-23840-MC	MICROWAVE SENSOR INPUT VOLTAGE: DC5V - 12V 5.8GHZ C/W RADAR TIME DELAY: 2 SEC-10MIN IP RATING: IP20 STAND BY OUTPUT: 0-50% DETECTION DISTANCE: UP TO 15M DETECTION ANGLE: 360°		

OTHER DATA




3W 316 STAINLESS STEEL GARDEN LIGHT

PRODUCT DATA

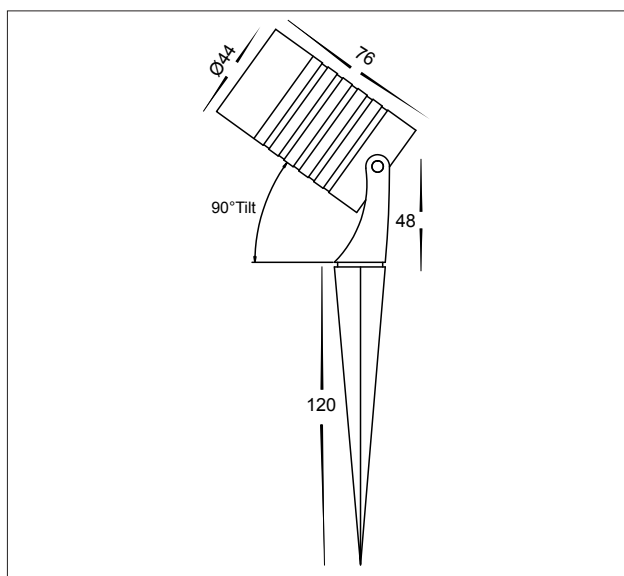
3W GARDEN LIGHT	
MATERIAL	316 STAINLESS STEEL
COLOUR/FINISH	GLOSS STAINLESS STEEL
COLOUR TEMP.	3000K 4000K 5500K
LUMEN OUTPUT	222LM 223LM 224LM
INPUT VOLTAGE	24V DC
BUILT-IN LED	3W
DIMMING	NO
CRI	RA >80
BEAM ANGLE	36°
IP RATING	IP65



PRODUCT ORDERING

316 STAINLESS STEEL				
	HCP-241033	3000K	222LM	3W LED
	HCP-241034	4000K	223LM	
	HCP-241035	5500K	224LM	

OTHER DATA




7W 316 STAINLESS STEEL GARDEN LIGHT

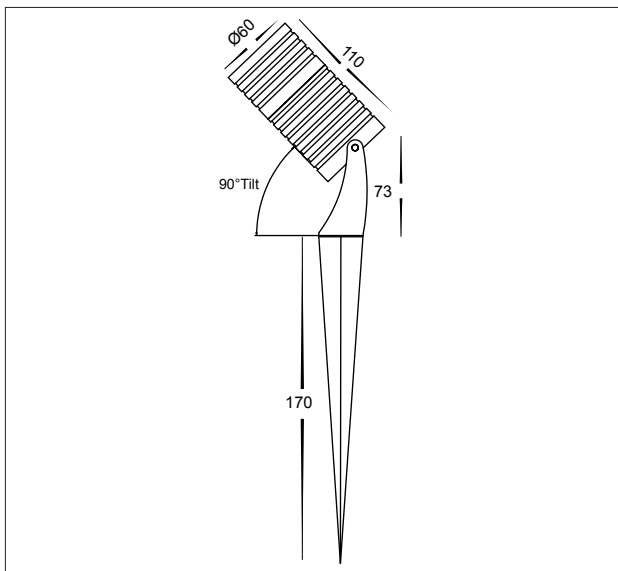
PRODUCT DATA

7W GARDEN LIGHT	
MATERIAL	316 STAINLESS STEEL
COLOUR/FINISH	GLOSS STAINLESS STEEL
COLOUR TEMP.	3000K 4000K 5500K (TRI-COLOUR)
LUMEN OUTPUT	461LM 503LM 511LM
INPUT VOLTAGE	24V DC
BUILT-IN LED	7W
DIMMING	NO
CRI	RA >80
BEAM ANGLE	36°
IP RATING	IP65

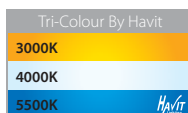
PRODUCT ORDERING

316 STAINLESS STEEL				
	HCP-241070	7W LED	3000K 4000K 5500K	461LM 503LM 511LM

OTHER DATA



GARDEN LIGHTS 00



12W 316 STAINLESS STEEL GARDEN LIGHT

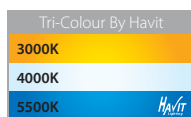
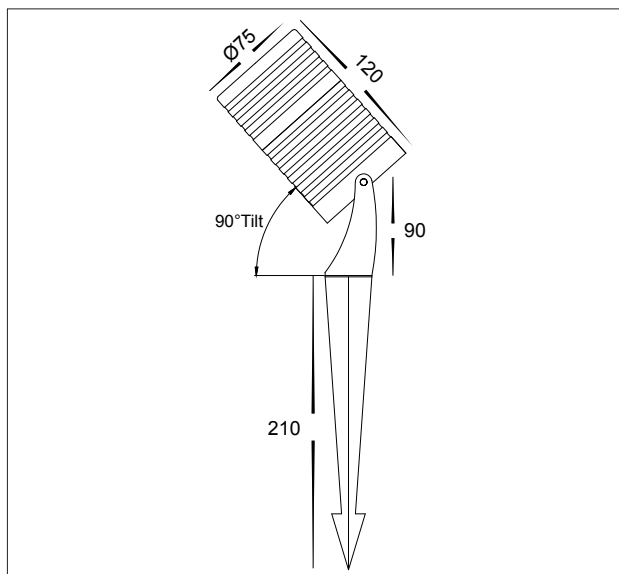
PRODUCT DATA

12W GARDEN LIGHT	
MATERIAL	316 STAINLESS STEEL
COLOUR/FINISH	GLOSS STAINLESS STEEL
COLOUR TEMP.	3000K 4000K 5500K (TRI-COLOUR)
LUMEN OUTPUT	845LM 998LM 1003LM
INPUT VOLTAGE	24V DC
BUILT-IN LED	12W
DIMMING	NO
CRI	RA >80
BEAM ANGLE	60°
IP RATING	IP65

PRODUCT ORDERING

316 STAINLESS STEEL				
	HCP-241120	12W LED	3000K 4000K 5500K	845LM 998LM 1003LM


OTHER DATA



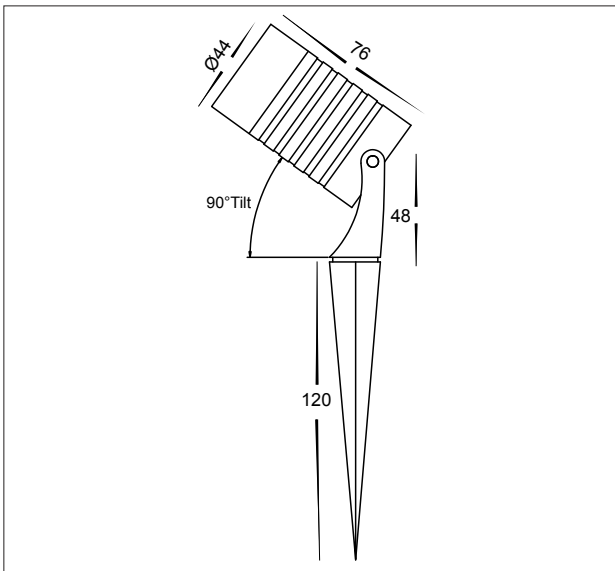
PRODUCT DATA

3W GARDEN LIGHT	
MATERIAL	ALUMINIUM
COLOUR/FINISH	MATT BLACK
COLOUR TEMP.	3000K 4000K 5500K
LUMEN OUTPUT	222LM 223LM 224LM
INPUT VOLTAGE	24V DC
BUILT-IN LED	3W
DIMMING	NO
CRI	RA >80
BEAM ANGLE	36°
IP RATING	IP65

PRODUCT ORDERING

ALUMINIUM BLACK				
	HCP-242033	3000K	222LM	3W LED
	HCP-242034	4000K	223LM	
	HCP-242035	5500K	224LM	

OTHER DATA



7W BLACK GARDEN LIGHT

PRODUCT DATA

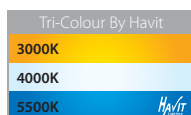
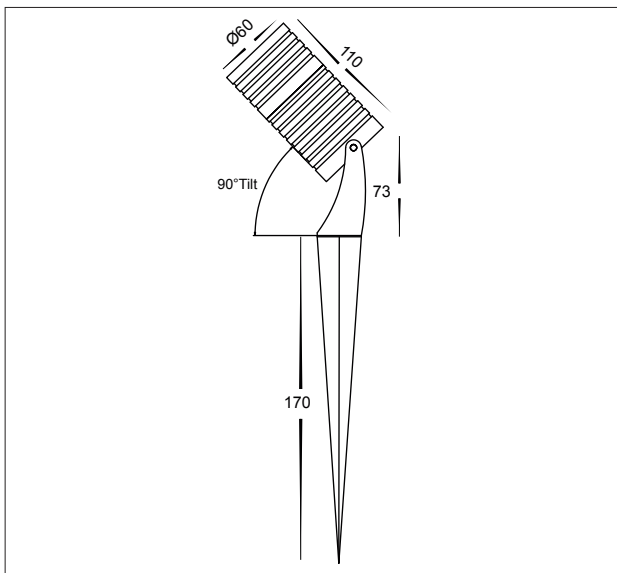
7W GARDEN LIGHT	
MATERIAL	ALUMINIUM
COLOUR/FINISH	MATT BLACK
COLOUR TEMP.	3000K 4000K 5500K (TRI-COLOUR)
LUMEN OUTPUT	461LM 503LM 511LM
INPUT VOLTAGE	24V DC
BUILT-IN LED	7W
DIMMING	NO
CRI	RA >80
BEAM ANGLE	36°
IP RATING	IP65



PRODUCT ORDERING

ALUMINIUM BLACK				
	HCP-242070	7W LED	3000K 4000K 5500K	461LM 503LM 511LM

OTHER DATA



12W BLACK GARDEN LIGHT


PRODUCT DATA

12W GARDEN LIGHT	
MATERIAL	ALUMINIUM
COLOUR/FINISH	MATT BLACK
COLOUR TEMP.	3000K 4000K 5500K (TRI-COLOUR)
LUMEN OUTPUT	845LM 998LM 1003LM
INPUT VOLTAGE	24V DC
BUILT-IN LED	12W
DIMMING	NO
CRI	RA >80
BEAM ANGLE	60°
IP RATING	IP65

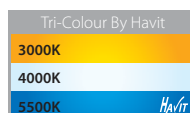
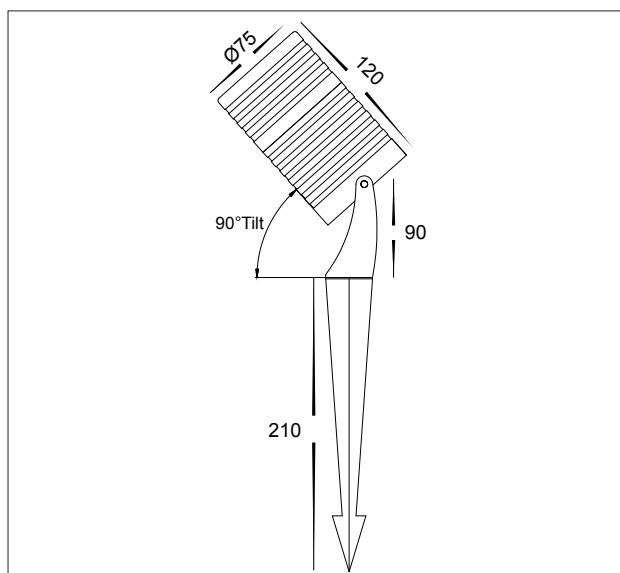


GARDEN LIGHTS 00

PRODUCT ORDERING

ALUMINIUM BLACK				
	HCP-242120	12W LED	3000K 4000K 5500K	845LM 998LM 1003LM

OTHER DATA



18W BLACK GARDEN LIGHT

PRODUCT DATA

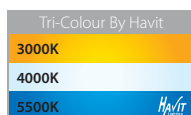
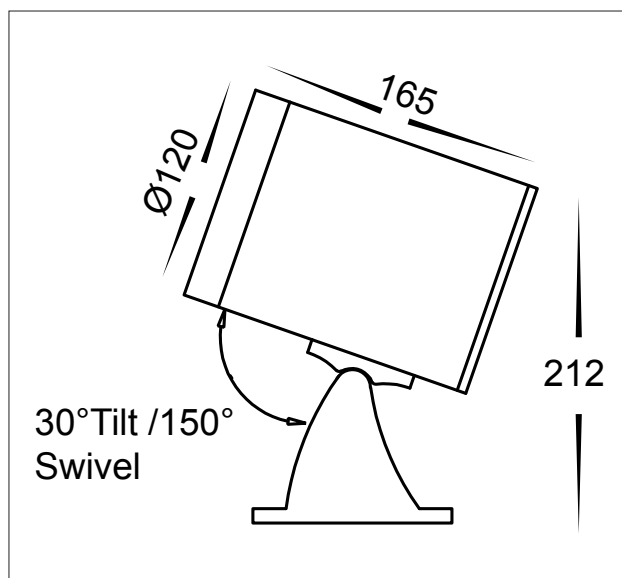
18W GARDEN LIGHT	
MATERIAL	ALUMINIUM
COLOUR/FINISH	MATT BLACK
COLOUR TEMP.	3000K 4000K 5500K (TRI-COLOUR)
LUMEN OUTPUT	1620LM 1710LM 1800LM
INPUT VOLTAGE	24V DC
BUILT-IN LED	18W
DIMMING	NO
CRI	RA >80
BEAM ANGLE	60°
IP RATING	IP65



PRODUCT ORDERING

ALUMINIUM BLACK					
	HCP-242180	18W LED	3000K 4000K 5500K	1620LM 1710LM 1800LM	

OTHER DATA



PRODUCT DATA

9W SPOT LIGHT	
MATERIAL	ALUMINIUM
COLOUR/FINISH	MATT BLACK
COLOUR TEMP.	3000K 4000K 5500K (TRI-COLOUR)
LUMEN OUTPUT	327LM 359LM 360LM
INPUT VOLTAGE	240V AC OR 24V DC (SUPPLIED WITH FLEX AND PLUG - 240V MODEL ONLY)
BUILT-IN LED	9W LED
DIMMING	TRIAC (240V MODEL ONLY)
CRI	RA >80
BEAM ANGLE	30°
IP RATING	IP65

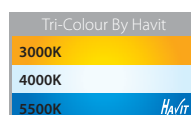
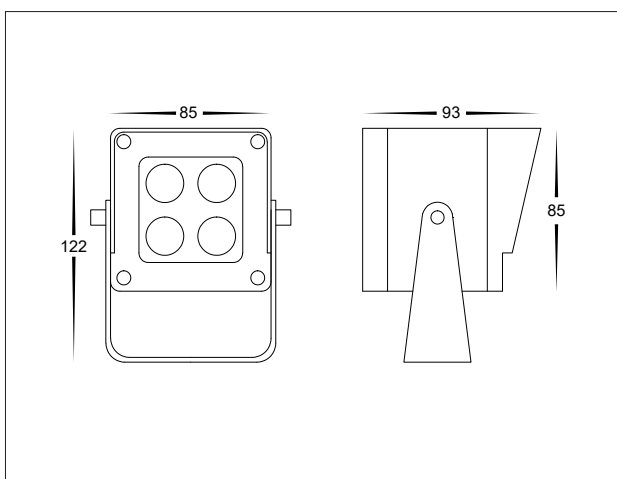
* Spike can only be used with 24v DC Model



PRODUCT ORDERING

ALUMINIUM BLACK				
	HCP-242091	9W LED	3000K 4000K 5500K	327LM 359LM 360LM
	HCP-242091-24V	9W LED	3000K 4000K 5500K	327LM 359LM 360LM

OTHER DATA



18W BLACK SPOT LIGHT

PRODUCT DATA

18W SPOT LIGHT	
MATERIAL	ALUMINIUM
COLOUR/FINISH	MATT BLACK
COLOUR TEMP.	3000K 4000K 5500K (TRI-COLOUR)
LUMEN OUTPUT	880LM 905LM 905LM
INPUT VOLTAGE	240V AC OR 24V DC (SUPPLIED WITH FLEX AND PLUG - 240V MODEL ONLY)
BUILT-IN LED	18W LED
DIMMING	TRIAC (240V MODEL ONLY)
CRI	RA >80
BEAM ANGLE	30°
IP RATING	IP65

* Spike can only be used with 24v DC Model

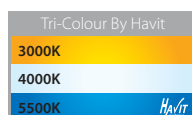
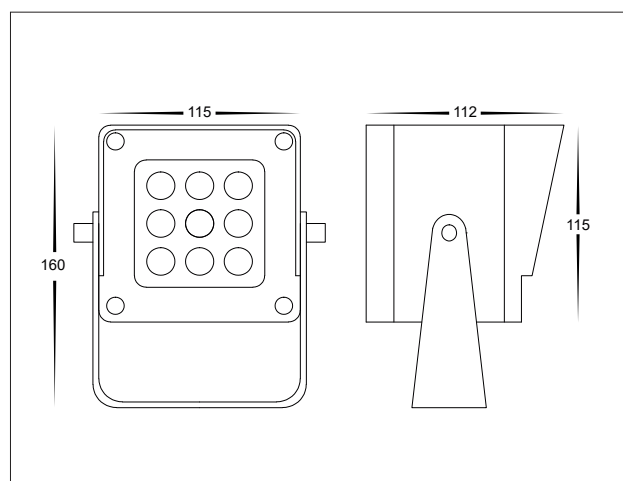


PRODUCT ORDERING

ALUMINIUM BLACK				
	HCP-242181	18W LED	3000K 4000K 5500K	880LM 905LM 905LM
	HCP-242181-24V	18W LED	3000K 4000K 5500K	880LM 905LM 905LM



OTHER DATA



36W BLACK SPOT LIGHT



PRODUCT DATA

36W SPOT LIGHT	
MATERIAL	ALUMINIUM
COLOUR/FINISH	MATT BLACK
COLOUR TEMP.	3000K 4000K 5500K (TRI-COLOUR)
LUMEN OUTPUT	1445LM 1897LM 1905LM
INPUT VOLTAGE	240V AC OR 24V DC (SUPPLIED WITH FLEX AND PLUG - 240V MODEL ONLY)
BUILT-IN LED	36W LED
DIMMING	TRIAC (240V MODEL ONLY)
CRI	RA >80
BEAM ANGLE	30°
IP RATING	IP65

* Spike can only be used with 24v DC Model

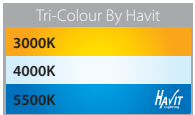
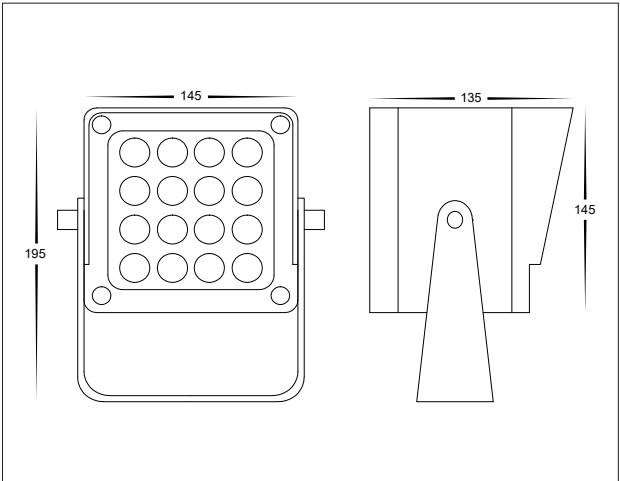
PRODUCT ORDERING

ALUMINIUM BLACK				
	HCP-242361	36W LED	3000K 4000K 5500K	1445LM 1897LM 1905LM
	HCP-242361-24V	36W LED	3000K 4000K 5500K	1445LM 1897LM 1905LM



GARDEN LIGHTS 00

OTHER DATA



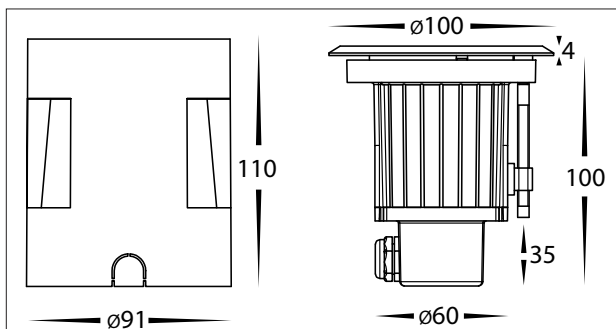
3W 316 STAINLESS STEEL ADJUSTABLE INGROUND LIGHTS



PRODUCT DATA

3W 316 STAINLESS STEEL ADJUSTABLE INGROUND LIGHTS	
MATERIAL	316 STAINLESS STEEL + ALUMINIUM
COLOUR/FINISH	STAINLESS STEEL
COLOUR TEMP.	3000K 4000K 5000K
LUMEN OUTPUT	124LM 130LM 138LM
INPUT VOLTAGE	24V DC
BUILT-IN LED	3W
DIMMING	NO
CRI	RA >80
BEAM ANGLE	6°
TILT	ADJUSTABLE UP TO 5°
IP RATING	IP67
IK RATING	IK10
TRAFFICABLE	1000KG
FACE DIAMETER	100MM
INSTALLATION DEPTH	120MM
CUT OUT (WITH CANISTER)	91MM
CUT OUT (WITHOUT CANISTER)	88MM

OTHER DATA



PRODUCT ORDERING

316 STAINLESS STEEL				
	HCP-251033	3W LED	3000K	124LM
	HCP-251034	3W LED	4000K	130LM
	HCP-251035	3W LED	5000K	138LM

Adequate drainage must be allowed when installed. Refer installation instructions at HavitCommercial.com.au



ADJUSTMENT TOOL
(SUPPLIED WITH FITTING)

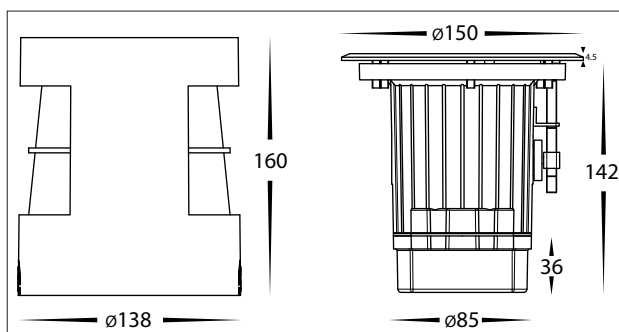
4.5W 316 STAINLESS STEEL ADJUSTABLE INGROUND LIGHTS



PRODUCT DATA

4.5W 316 STAINLESS STEEL ADJUSTABLE INGROUND LIGHTS	
MATERIAL	316 STAINLESS STEEL + ALUMINIUM
COLOUR/FINISH	STAINLESS STEEL
COLOUR TEMP.	3000K 4000K 5000K
LUMEN OUTPUT	282LM 288LM 303LM
INPUT VOLTAGE	24V DC
BUILT-IN LED	4.5W
DIMMING	NO
CRI	RA >80
BEAM ANGLE	30°
TILT	ADJUSTABLE UP TO 15°
IP RATING	IP67
IK RATING	IK10
TRAFFICABLE	1000KG
FACE DIAMETER	150MM
INSTALLATION DEPTH	170MM
CUT OUT (WITH CANISTER)	138MM
CUT OUT (WITHOUT CANISTER)	135MM

OTHER DATA



PRODUCT ORDERING

316 STAINLESS STEEL				
	HCP-251043	4.5W LED	3000K	282LM
	HCP-251044	4.5W LED	4000K	288LM
	HCP-251045	4.5W LED	5000K	303LM

Adequate drainage must be allowed when installed. Refer installation instructions at HavitCommercial.com.au

ADJUSTMENT TOOL
(SUPPLIED WITH FITTING)

INGROUND LIGHTS

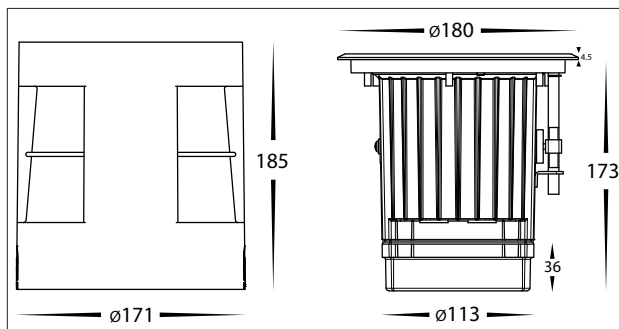
13.5W 316 STAINLESS STEEL ADJUSTABLE INGROUND LIGHTS



PRODUCT DATA

13.5W 316 STAINLESS STEEL ADJUSTABLE INGROUND LIGHTS	
MATERIAL	316 STAINLESS STEEL + ALUMINIUM
COLOUR/FINISH	STAINLESS STEEL
COLOUR TEMP.	3000K 4000K 5000K
LUMEN OUTPUT	824LM 916LM 841LM
INPUT VOLTAGE	24V DC
BUILT-IN LED	13.5W
DIMMING	NO
CRI	RA >80
BEAM ANGLE	30°
TILT	ADJUSTABLE UP TO 15°
IP RATING	IP67
IK RATING	IK10
TRAFFICABLE	1000KG
FACE DIAMETER	180MM
INSTALLATION DEPTH	200MM
CUT OUT (WITH CANISTER)	171MM
CUT OUT (WITHOUT CANISTER)	160MM

OTHER DATA



PRODUCT ORDERING

316 STAINLESS STEEL				
	HCP-251133	13.5W LED	3000K	828LM
	HCP-251134	13.5W LED	4000K	916LM
	HCP-251135	13.5W LED	5000K	841LM

Adequate drainage must be allowed when installed. Refer installation instructions at HavitCommercial.com.au



ADJUSTMENT TOOL (SUPPLIED WITH FITTING)

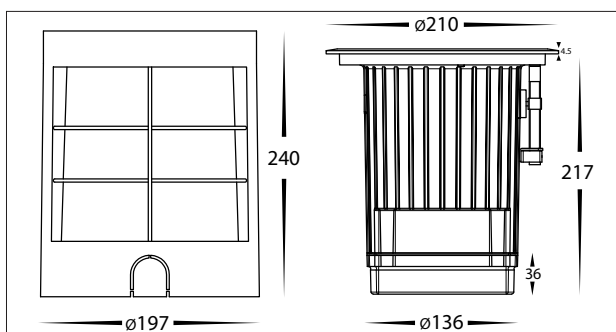
18W 316 STAINLESS STEEL ADJUSTABLE INGROUND LIGHTS



PRODUCT DATA

18W 316 STAINLESS STEEL ADJUSTABLE INGROUND LIGHTS	
MATERIAL	316 STAINLESS STEEL + ALUMINIUM
COLOUR/FINISH	STAINLESS STEEL
COLOUR TEMP.	3000K 4000K 5000K
LUMEN OUTPUT	1162LM 1252LM 1237LM
INPUT VOLTAGE	24V DC
BUILT-IN LED	18W
DIMMING	NO
CRI	RA >80
BEAM ANGLE	30°
TILT	ADJUSTABLE UP TO 15°
IP RATING	IP67
IK RATING	IK10
TRAFFICABLE	1000KG
FACE DIAMETER	210MM
INSTALLATION DEPTH	250MM
CUT OUT (WITH CANISTER)	197MM
CUT OUT (WITHOUT CANISTER)	186MM

OTHER DATA



PRODUCT ORDERING

316 STAINLESS STEEL				
	HCP-251183	18W LED	3000K	1162LM
	HCP-251184	18W LED	4000K	1252LM
	HCP-251185	18W LED	5000K	1237LM



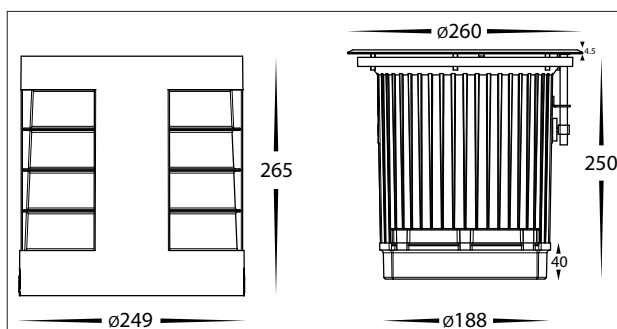
27W 316 STAINLESS STEEL ADJUSTABLE INGROUND LIGHTS



PRODUCT DATA

27W 316 STAINLESS STEEL ADJUSTABLE INGROUND LIGHTS	
MATERIAL	316 STAINLESS STEEL + ALUMINIUM
COLOUR/FINISH	STAINLESS STEEL
COLOUR TEMP.	3000K 4000K 5000K
LUMEN OUTPUT	1743LM 2006LM 1913LM
INPUT VOLTAGE	24V DC
BUILT-IN LED	27W
DIMMING	NO
CRI	RA >80
BEAM ANGLE	30°
TILT	ADJUSTABLE UP TO 15°
IP RATING	IP67
IK RATING	IK10
TRAFFICABLE	1000KG
FACE DIAMETER	260MM
INSTALLATION DEPTH	275MM
CUT OUT (WITH CANISTER)	249MM
CUT OUT (WITHOUT CANISTER)	238MM

OTHER DATA



PRODUCT ORDERING

316 STAINLESS STEEL				
	HCP-251273	27W LED	3000K	1743LM
	HCP-251274	27W LED	4000K	2006LM
	HCP-251275	27W LED	5000K	1913LM

Adequate drainage must be allowed when installed. Refer installation instructions at HavitCommercial.com.au



ADJUSTMENT TOOL
(SUPPLIED WITH FITTING)

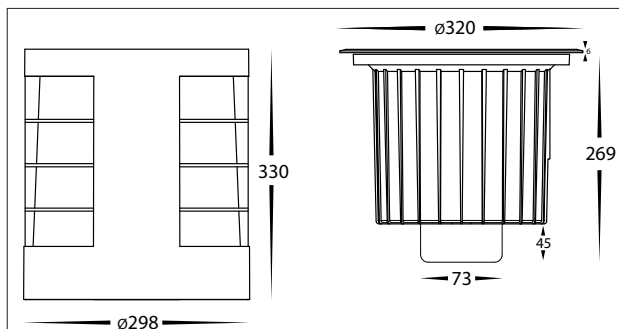
48W 316 STAINLESS STEEL ADJUSTABLE INGROUND LIGHTS



PRODUCT DATA

48W 316 STAINLESS STEEL ADJUSTABLE INGROUND LIGHTS	
MATERIAL	316 STAINLESS STEEL + ALUMINIUM
COLOUR/FINISH	STAINLESS STEEL
COLOUR TEMP.	3000K 4000K 5000K RGBC
LUMEN OUTPUT	3420LM 3580LM 3710LM 998LM
INPUT VOLTAGE	240V AC
BUILT-IN LED	48W
DIMMING	NO
CRI	RA >80
BEAM ANGLE	30°
TILT	ADJUSTABLE UP TO 15°
IP RATING	IP67
IK RATING	IK10
TRAFFICABLE	1000KG
FACE DIAMETER	320MM
INSTALLATION DEPTH	350MM
CUT OUT (WITH CANISTER)	298MM
CUT OUT (WITHOUT CANISTER)	285MM

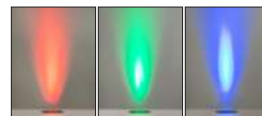
OTHER DATA



PRODUCT ORDERING

316 STAINLESS STEEL				
	HCP-251483	48W LED	3000K	3420LM
	HCP-251484	48W LED	4000K	3580LM
	HCP-251485	48W LED	5000K	3710LM
	HCP-251480	48W LED	RGBC (RGB + 5000K)	998LM (5000K)

Adequate drainage must be allowed when installed. Refer installation instructions at HavitCommercial.com.au




600MM BOLLARD LIGHT

PRODUCT DATA

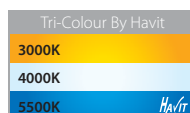
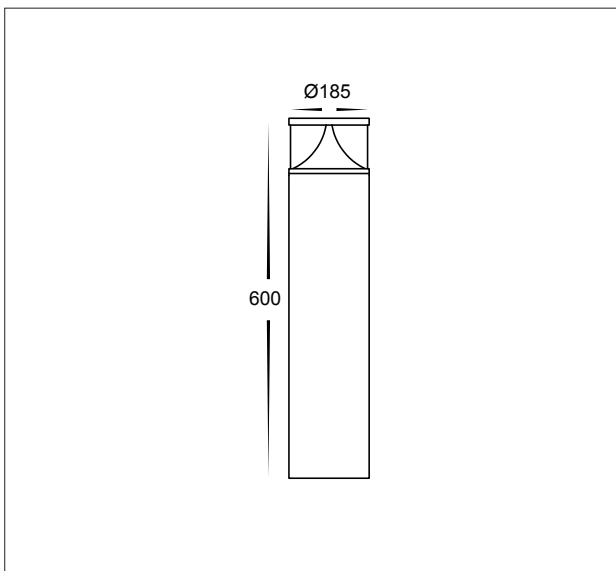
600MM BOLLARD LIGHT	
MATERIAL	ALUMINIUM
COLOUR/FINISH	MATT BLACK
COLOUR TEMP.	3000K 4000K 5500K (TRI-COLOUR)
LUMEN OUTPUT	1292LM 1528LM 1434LM
INPUT VOLTAGE	240V AC
BUILT-IN LED	24W
DIMMING	NO
CRI	RA >80
BEAM ANGLE	120°
IP RATING	IP65
IK RATING	IK08



PRODUCT ORDERING

ALUMINIUM BLACK				
	HCP-262330	24W LED	3000K 4000K 5500K	1292LM 1528LM 1434LM


OTHER DATA



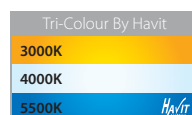
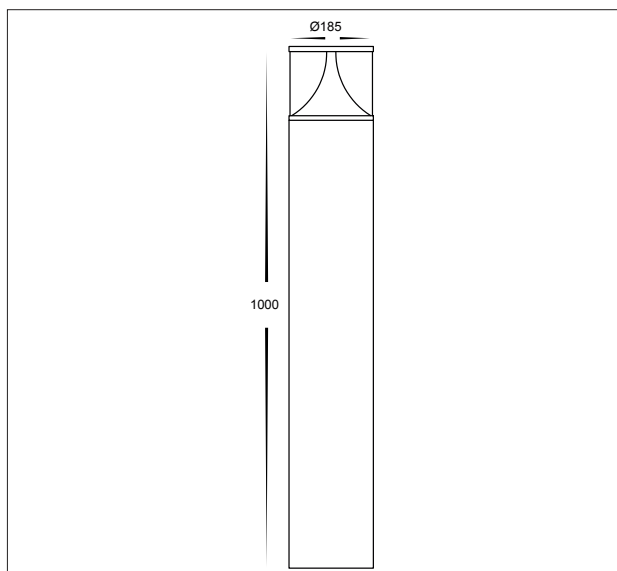
PRODUCT DATA

1000MM BOLLARD LIGHT	
MATERIAL	ALUMINIUM
COLOUR/FINISH	MATT BLACK
COLOUR TEMP.	3000K 4000K 5500K (TRI-COLOUR)
LUMEN OUTPUT	1292LM 1528LM 1434LM
INPUT VOLTAGE	240V AC
BUILT-IN LED	24W
DIMMING	NO
CRI	RA >80
BEAM ANGLE	120°
IP RATING	IP65
IK RATING	IK08

PRODUCT ORDERING

ALUMINIUM BLACK				
	HCP-262430	24W LED	3000K 4000K 5500K	1292LM 1528LM 1434LM

OTHER DATA




600MM LOUVRED BOLLARD LIGHT

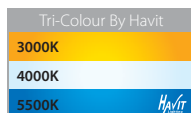
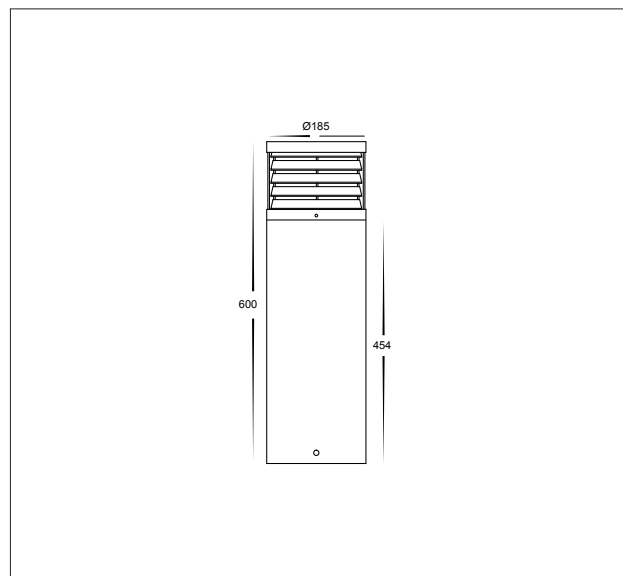
PRODUCT DATA

600MM BOLLARD LIGHT	
MATERIAL	ALUMINIUM
COLOUR/FINISH	MATT BLACK
COLOUR TEMP.	3000K 4000K 5500K (TRI-COLOUR)
LUMEN OUTPUT	1292LM 1528LM 1434LM
INPUT VOLTAGE	240V AC
BUILT-IN LED	24W
DIMMING	NO
CRI	RA >80
BEAM ANGLE	120°
IP RATING	IP65
IK RATING	IK08

PRODUCT ORDERING

ALUMINIUM BLACK				
	HCP-262340	24W LED	3000K 4000K 5500K	1292LM 1528LM 1434LM

OTHER DATA



1000MM LOUVRED BOLLARD LIGHT

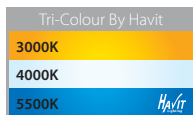
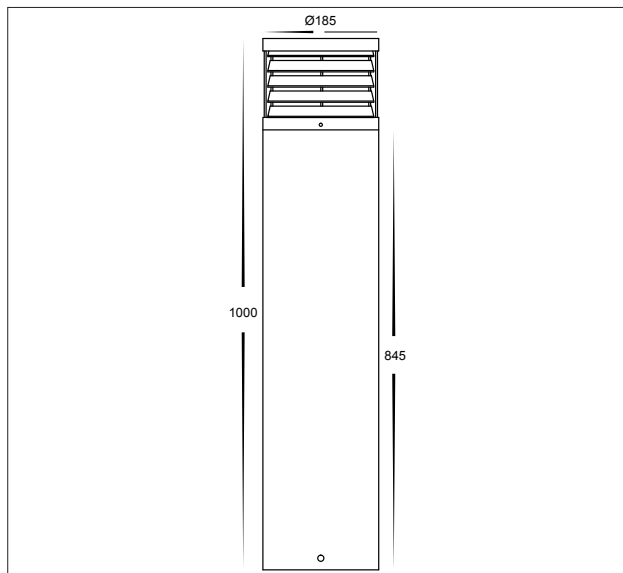
PRODUCT DATA

1000MM BOLLARD LIGHT	
MATERIAL	ALUMINIUM
COLOUR/FINISH	MATT BLACK
COLOUR TEMP.	3000K 4000K 5500K (TRI-COLOUR)
LUMEN OUTPUT	1292LM 1528LM 1434LM
INPUT VOLTAGE	240V AC
BUILT-IN LED	24W
DIMMING	NO
CRI	RA >80
BEAM ANGLE	120°
IP RATING	IP65
IK RATING	IK08

PRODUCT ORDERING

ALUMINIUM BLACK				
	HCP-262440	24W LED	3000K 4000K 5500K	1292LM 1528LM 1434LM

OTHER DATA



1.5W ONE WAY DIRECTIONAL DECK LIGHTS



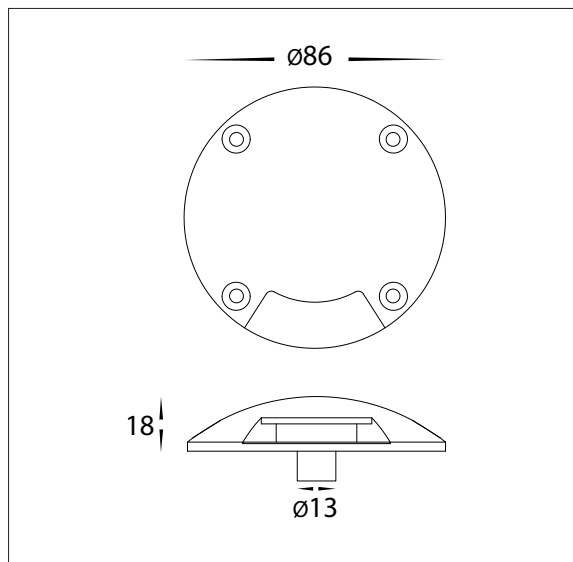
PRODUCT DATA

ONE-WAY DECK LIGHTS	
MATERIAL	316 STAINLESS STEEL SOLID BRASS
COLOUR/FINISH	STAINLESS STEEL ANTIQUE BRASS MATT TEXTURED BLACK SS
COLOUR TEMP.	3000K 4000K 5000K
LUMEN OUTPUT	80LM 85LM 90LM
INPUT VOLTAGE	24V DC
BUILT-IN LED	1.5W
DIMMING	NO
CRI	RA >90
BEAM ANGLE	120°
IP RATING	IP67
IK RATING	IK10
TRAFFICABLE	500KGS

PRODUCT ORDERING

STAINLESS STEEL				
	HCP-271123	3000K	80LM	1.5W LED
	HCP-271124	4000K	85LM	
	HCP-271125	5000K	90LM	
ANTIQUE BRASS				
	HCP-276123	3000K	80LM	1.5W LED
	HCP-276124	4000K	85LM	
	HCP-276125	5000K	90LM	
MATT TEXTURED BLACK STAINLESS STEEL				
	HCP-272123	3000K	80LM	1.5W LED
	HCP-272124	4000K	85LM	
	HCP-272125	5000K	90LM	

OTHER DATA



1.5W TWO WAY DIRECTIONAL DECK LIGHTS



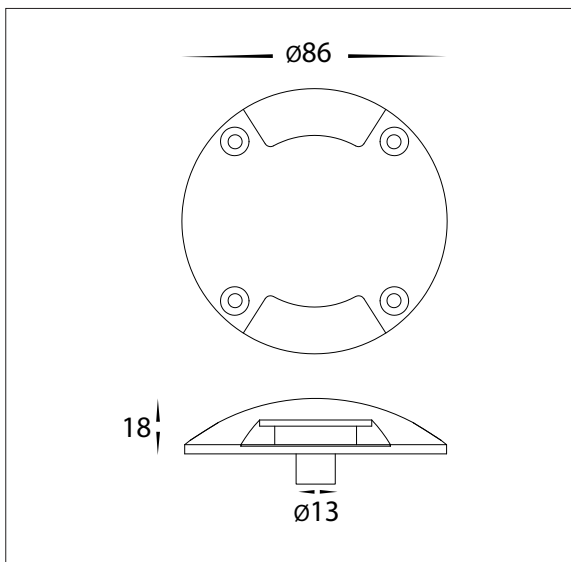
PRODUCT DATA

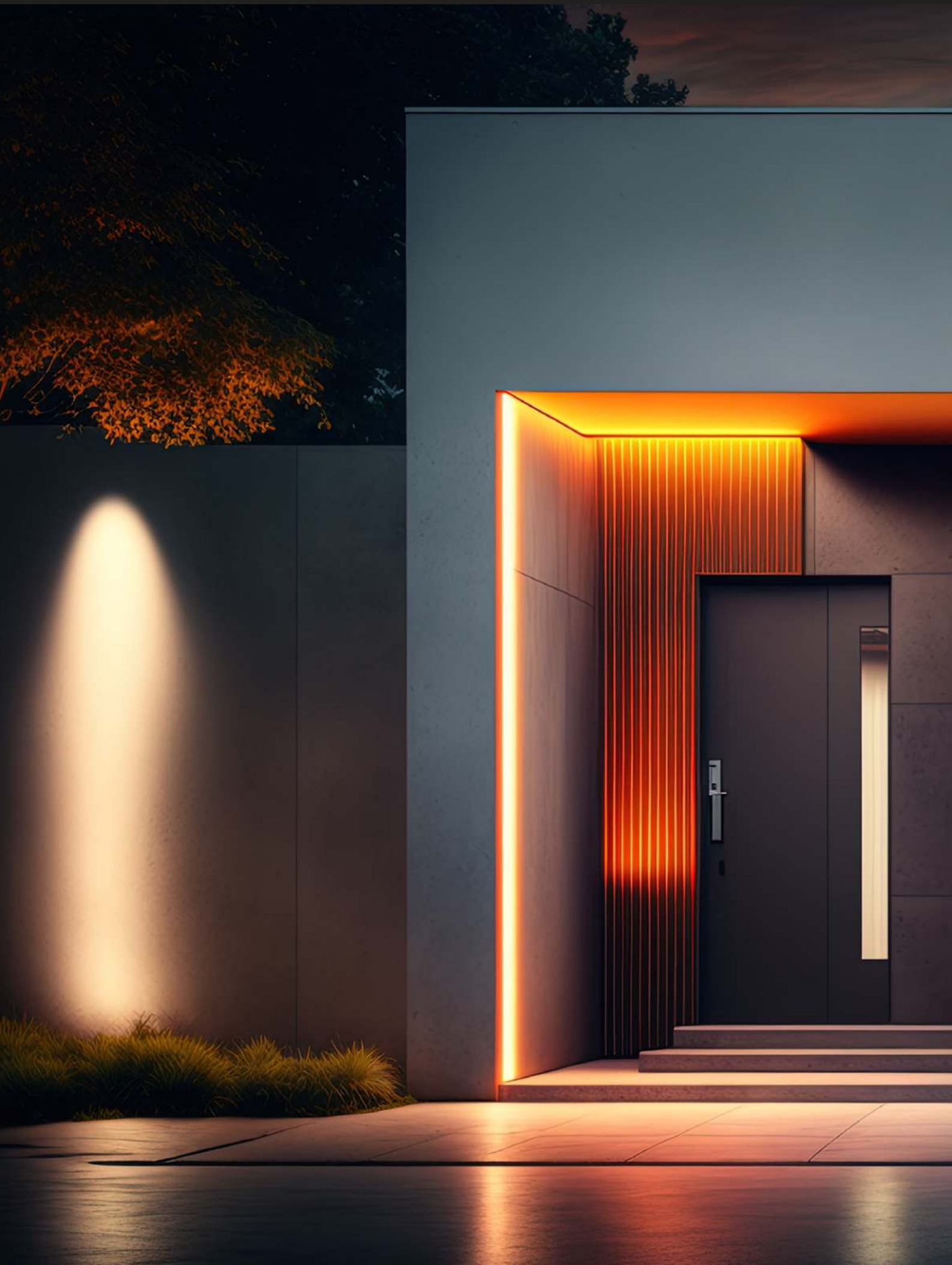
TWO-WAY DECK LIGHTS	
MATERIAL	316 STAINLESS STEEL SOLID BRASS
COLOUR/FINISH	STAINLESS STEEL ANTIQUE BRASS MATT TEXTURED BLACK SS
COLOUR TEMP.	3000K 4000K 5000K
LUMEN OUTPUT	2X 60LM 2X 65LM 2X 70LM
INPUT VOLTAGE	24V DC
BUILT-IN LED	1.5W
DIMMING	NO
CRI	RA >90
BEAM ANGLE	120°
IP RATING	IP67
IK RATING	IK10
TRAFFICABLE	500KGS

PRODUCT ORDERING

STAINLESS STEEL				
	HCP-271223	3000K	2X 60LM	1.5W LED
	HCP-271224	4000K	2X 65LM	
	HCP-271225	5000K	2X 70LM	
ANTIQUE BRASS				
	HCP-276223	3000K	2X 60LM	1.5W LED
	HCP-276224	4000K	2X 65LM	
	HCP-276225	5000K	2X 70LM	
MATT TEXTURED BLACK STAINLESS STEEL				
	HCP-272223	3000K	2X 60LM	1.5W LED
	HCP-272224	4000K	2X 65LM	
	HCP-272225	5000K	2X 70LM	

OTHER DATA









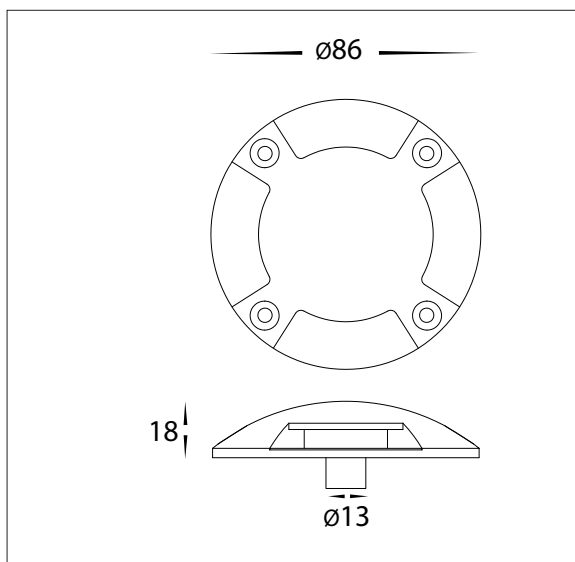
PRODUCT DATA

FOUR-WAY DECK LIGHTS	
MATERIAL	316 STAINLESS STEEL SOLID BRASS
COLOUR/FINISH	STAINLESS STEEL ANTIQUE BRASS MATT TEXTURED BLACK SS
COLOUR TEMP.	3000K 4000K 5000K
LUMEN OUTPUT	4X 30LM 4X 35LM 4X 35LM
INPUT VOLTAGE	24V DC
BUILT-IN LED	1.5W
DIMMING	NO
CRI	RA >90
BEAM ANGLE	120°
IP RATING	IP67
IK RATING	IK10
TRAFFICABLE	500KGS

PRODUCT ORDERING

STAINLESS STEEL				
	HCP-271423	3000K	4X 30LM	1.5W LED
	HCP-271424	4000K	4X 35LM	
	HCP-271425	5000K	4X 35LM	
ANTIQUE BRASS				
	HCP-276423	3000K	4X 30LM	1.5W LED
	HCP-276424	4000K	4X 35LM	
	HCP-276425	5000K	4X 35LM	
MATT TEXTURED BLACK STAINLESS STEEL				
	HCP-272423	3000K	4X 30LM	1.5W LED
	HCP-272424	4000K	4X 35LM	
	HCP-272425	5000K	4X 35LM	

OTHER DATA



4.8W IP20 LED STRIP LIGHT



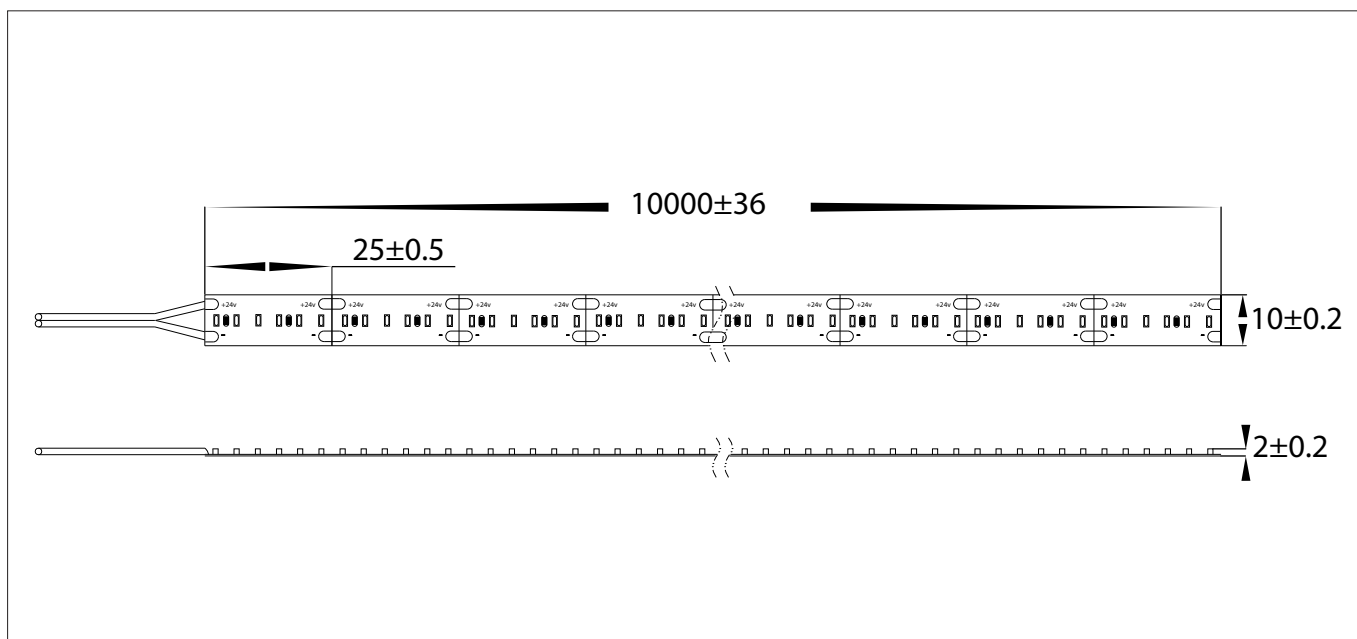
PRODUCT DATA

4.8w IP20 LED STRIP LIGHT	
LED CHIP TYPE	2110
SIZE	10MM X 2MM
PCB	3OZ
LED CHIPS / METRE	240 LED
CUT INCREMENTS	EVERY 25MM
COLOUR TEMP.	2700K 3000K 4000K 5000K
LUMEN OUTPUT	340LM 345LM 360LM 400LM
INPUT VOLTAGE	24V DC
WIRING	PARALLEL
MOUNTING	ALUMINIUM PROFILE OR HEAT SINK
MAXIMUM LENGTH	10,000MM
REQUIREMENTS	24V DC LED DRIVER
DIMMING	0-1/10V, DALI, DMX, RF
CRI	RA >90
BEAM ANGLE	120°
IP RATING	IP20

PRODUCT ORDERING

240 LED STRIP			
	HCP-3325482	2700K	340LM
	HCP-3325483	3000K	345LM
	HCP-3325484	4000K	360LM
	HCP-3325485	5000K	400LM

OTHER DATA





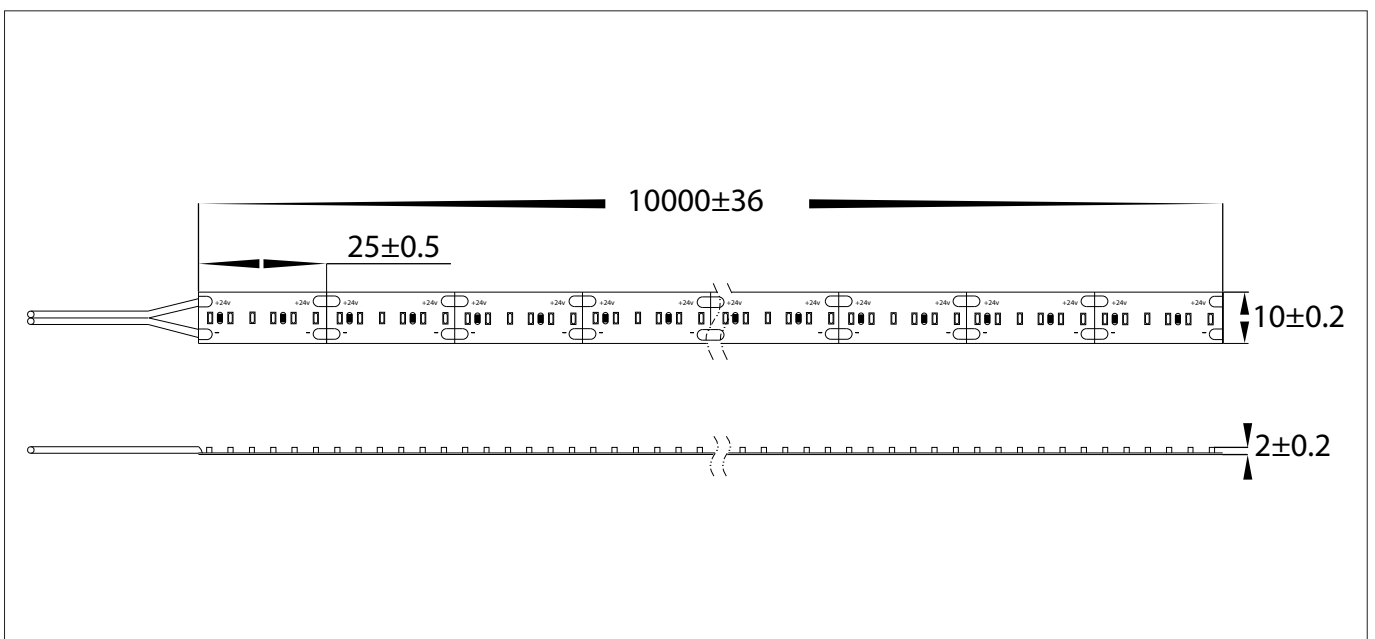
PRODUCT DATA

9.6w IP20 LED STRIP LIGHT	
LED CHIP TYPE	2110
SIZE	10MM X 2MM
PCB	3OZ
LED CHIPS / METRE	240 LED
CUT INCREMENTS	EVERY 25MM
COLOUR TEMP.	2700K 3000K 4000K 5000K
LUMEN OUTPUT	630LM 650LM 690LM 728LM
INPUT VOLTAGE	24V DC
WIRING	PARALLEL
MOUNTING	ALUMINIUM PROFILE OR HEAT SINK
MAXIMUM LENGTH	10,000MM
REQUIREMENTS	24V DC LED DRIVER
DIMMING	0-1/10V, DALI, DMX, RF
CRI	RA >90
BEAM ANGLE	120°
IP RATING	IP20

PRODUCT ORDERING

240 LED STRIP			
	HCP-3325962	2700K	630LM
	HCP-3325963	3000K	650LM
	HCP-3325964	4000K	690LM
	HCP-3325965	5000K	728LM

OTHER DATA



14.4W IP20 LED STRIP LIGHT



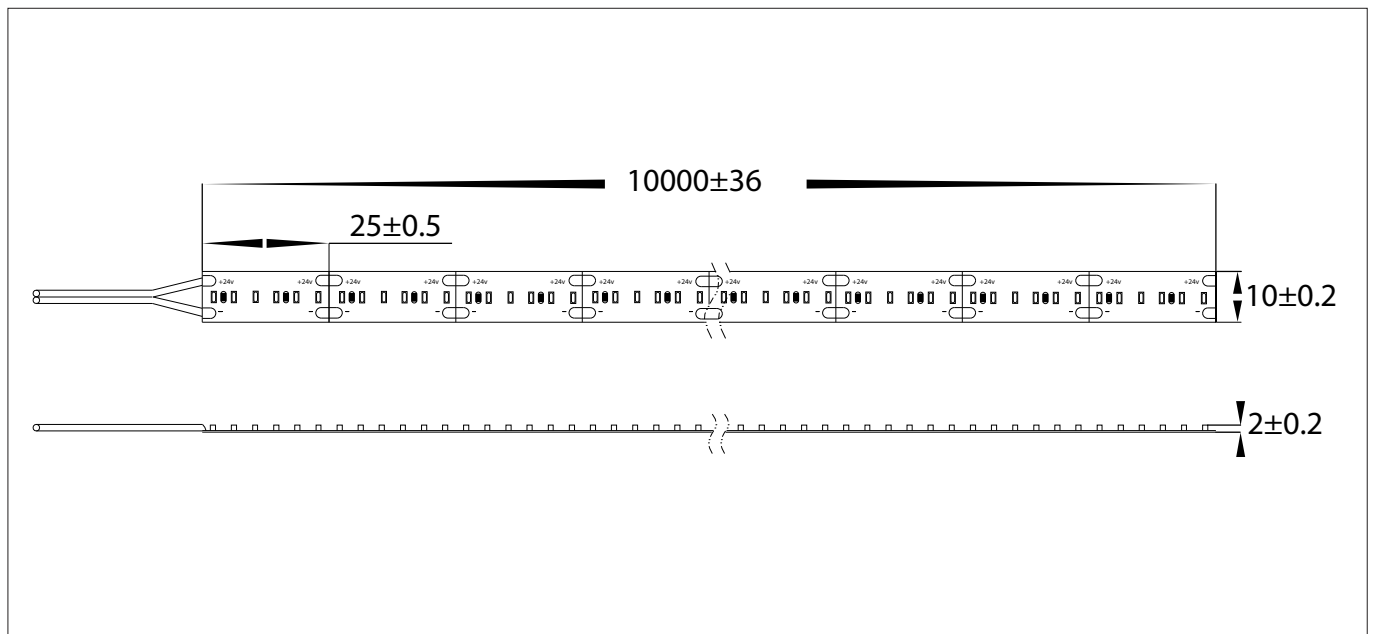
PRODUCT DATA

14.4w IP20 LED STRIP LIGHT	
LED CHIP TYPE	2110
SIZE	10MM X 2MM
PCB	3OZ
LED CHIPS / METRE	240 LED
CUT INCREMENTS	EVERY 25MM
COLOUR TEMP.	2700K 3000K 4000K 5000K
LUMEN OUTPUT	950LM 990LM 1020LM 1100LM
INPUT VOLTAGE	24V DC
WIRING	PARALLEL
MOUNTING	ALUMINIUM PROFILE OR HEAT SINK
MAXIMUM LENGTH	10,000MM
REQUIREMENTS	24V DC LED DRIVER
DIMMING	0-1/10V, DALI, DMX, RF
CRI	RA >90
BEAM ANGLE	120°
IP RATING	IP20

PRODUCT ORDERING

240 LED STRIP			
	HCP-3325142	2700K	950LM
	HCP-3325143	3000K	990LM
	HCP-3325144	4000K	1020LM
	HCP-3325145	5000K	1100LM

OTHER DATA



19.2W IP20 LED STRIP LIGHT

12

LED STRIP



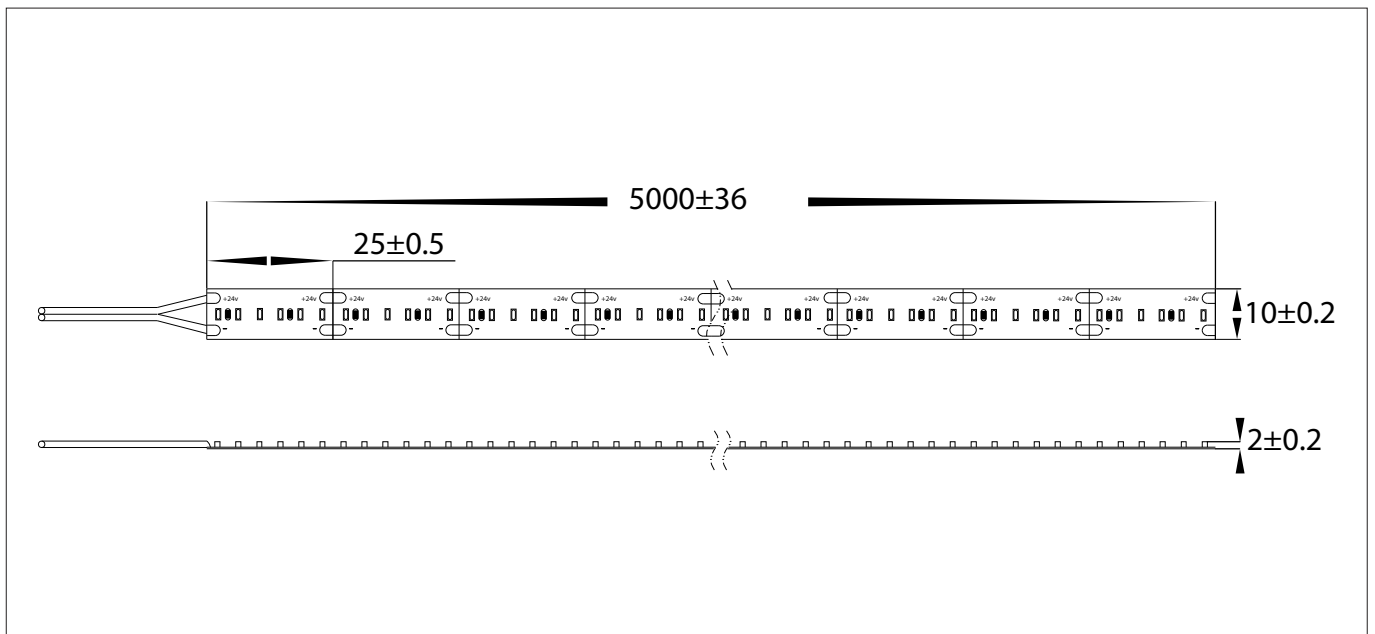
PRODUCT DATA

19.2w IP20 LED STRIP LIGHT	
LED CHIP TYPE	2110
SIZE	10MM X 2MM
PCB	3OZ
LED CHIPS / METRE	240 LED
CUT INCREMENTS	EVERY 25MM
COLOUR TEMP.	2700K 3000K 4000K 5000K
LUMEN OUTPUT	1200LM 1250LM 1320LM 1450LM
INPUT VOLTAGE	24V DC
WIRING	PARALLEL
MOUNTING	ALUMINIUM PROFILE OR HEAT SINK
MAXIMUM LENGTH	5,000MM
REQUIREMENTS	24V DC LED DRIVER
DIMMING	0-1/10V, DALI, DMX, RF
CRI	RA >90
BEAM ANGLE	120°
IP RATING	IP20

PRODUCT ORDERING

240 LED STRIP			
	HCP-3325192	2700K	1220LM
	HCP-3325193	3000K	1250LM
	HCP-3325194	4000K	1320LM
	HCP-3325195	5000K	1450LM

OTHER DATA



4.8W IP54 LED STRIP LIGHT



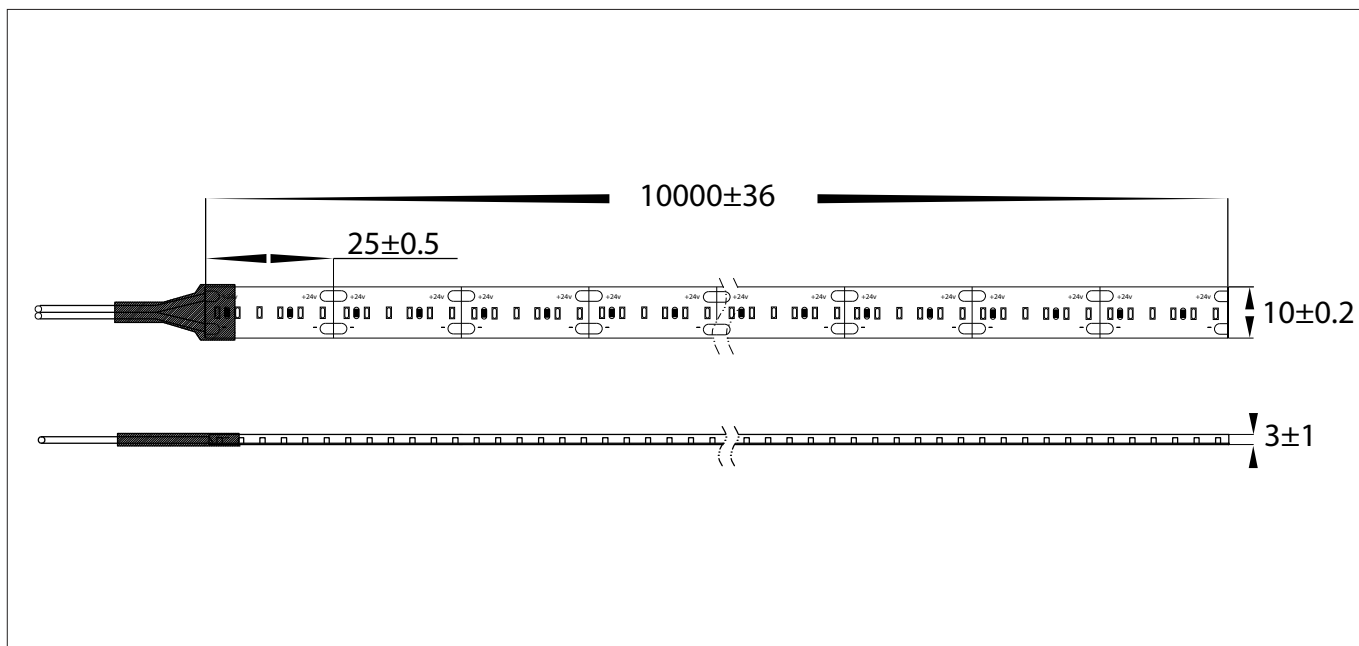
PRODUCT DATA

4.8w IP54 LED STRIP LIGHT	
LED CHIP TYPE	2110
SIZE	10MM X 3MM
PCB	30Z
LED CHIPS / METRE	240 LED
CUT INCREMENTS	EVERY 25MM
COLOUR TEMP.	2700K 3000K 4000K 5000K
LUMEN OUTPUT	329LM 330LM 360LM 362LM
INPUT VOLTAGE	24V DC
WIRING	PARALLEL
MOUNTING	ALUMINIUM PROFILE OR HEAT SINK
MAXIMUM LENGTH	10,000MM
REQUIREMENTS	24V DC LED DRIVER
DIMMING	0-1/10V, DALI, DMX, RF
CRI	RA >90
BEAM ANGLE	120°
IP RATING	IP54

PRODUCT ORDERING

240 LED STRIP			
	HCP-3355482	2700K	329LM
	HCP-3355483	3000K	330LM
	HCP-3355484	4000K	360LM
	HCP-3355485	5000K	362LM

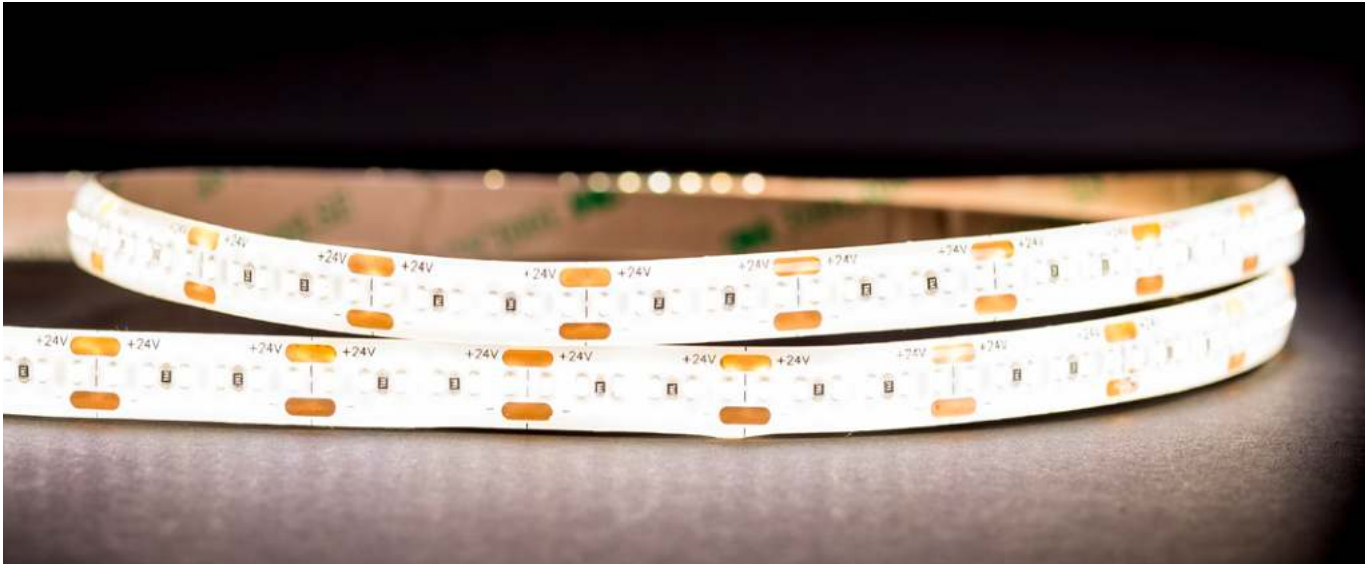
OTHER DATA



9.6W IP54 LED STRIP LIGHT

12

LED STRIP



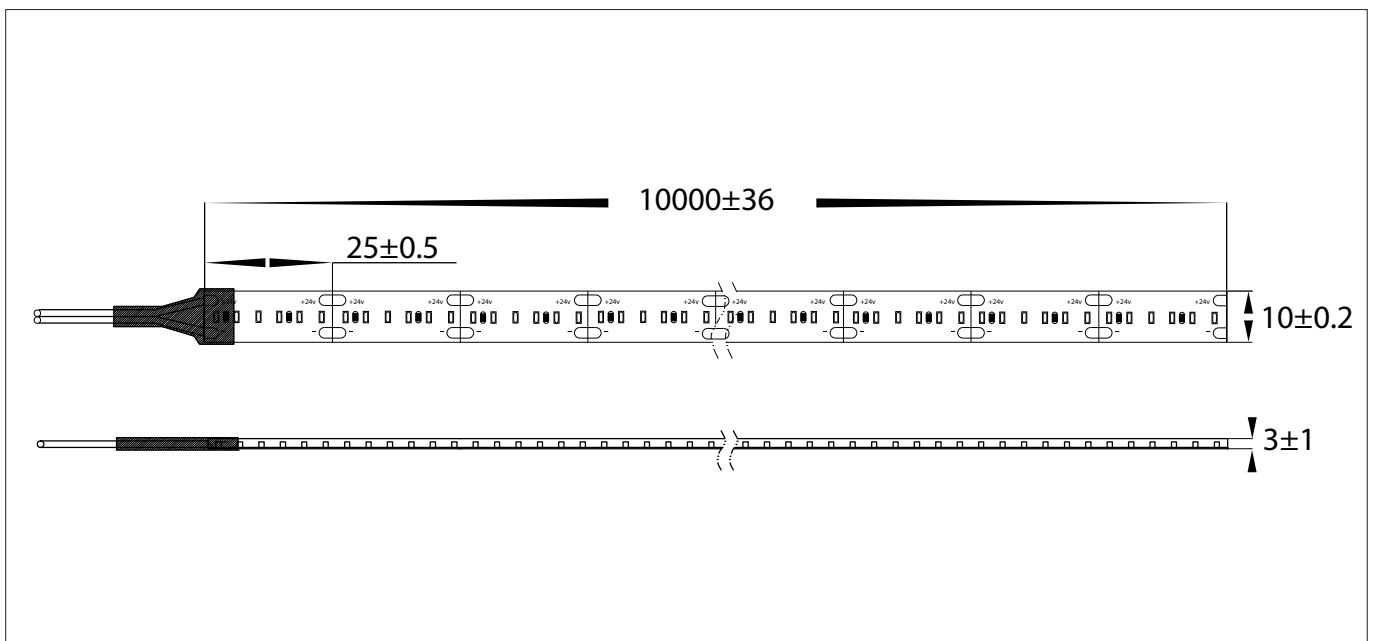
PRODUCT DATA

9.6w IP54 LED STRIP LIGHT	
LED CHIP TYPE	2110
SIZE	10MM X 3MM
PCB	3OZ
LED CHIPS / METRE	240 LED
CUT INCREMENTS	EVERY 25MM
COLOUR TEMP.	2700K 3000K 4000K 5000K
LUMEN OUTPUT	610LM 630LM 690LM 728LM
INPUT VOLTAGE	24V DC
WIRING	PARALLEL
MOUNTING	ALUMINIUM PROFILE OR HEAT SINK
MAXIMUM LENGTH	10,000MM
REQUIREMENTS	24V DC LED DRIVER
DIMMING	0-1/10V, DALI, DMX, RF
CRI	RA >90
BEAM ANGLE	120°
IP RATING	IP54

PRODUCT ORDERING

240 LED STRIP			
	HCP-3355962	2700K	610LM
	HCP-3355963	3000K	630LM
	HCP-3355964	4000K	690LM
	HCP-3355965	5000K	728LM

OTHER DATA



14.4W IP54 LED STRIP LIGHT



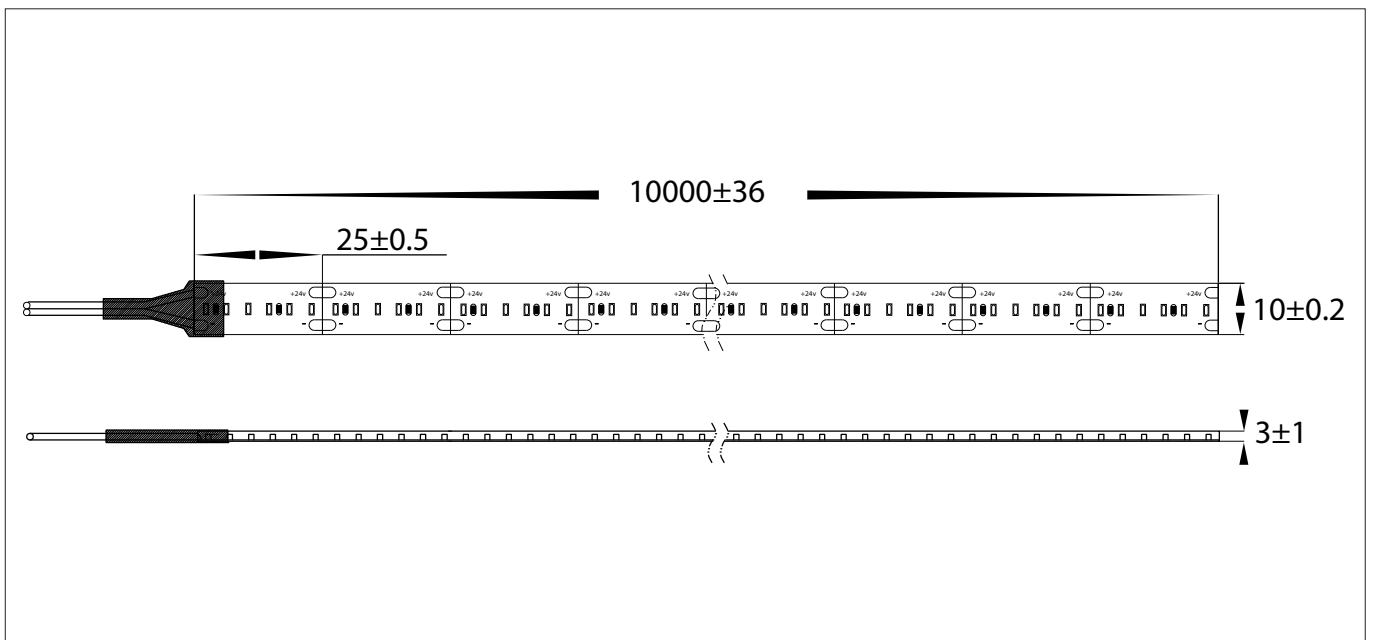
PRODUCT DATA

14.4w IP54 LED STRIP LIGHT	
LED CHIP TYPE	2110
SIZE	10MM X 3MM
PCB	3OZ
LED CHIPS / METRE	240 LED
CUT INCREMENTS	EVERY 25MM
COLOUR TEMP.	2700K 3000K 4000K 5000K
LUMEN OUTPUT	909LM 967LM 978LM 1040LM
INPUT VOLTAGE	24V DC
WIRING	PARALLEL
MOUNTING	ALUMINIUM PROFILE OR HEAT SINK
MAXIMUM LENGTH	10,000MM
REQUIREMENTS	24V DC LED DRIVER
DIMMING	0-1/10V, DALI, DMX, RF
CRI	RA >90
BEAM ANGLE	120°
IP RATING	IP54

PRODUCT ORDERING

240 LED STRIP			
	HCP-3355142	2700K	909LM
	HCP-3355143	3000K	967LM
	HCP-3355144	4000K	978LM
	HCP-3355145	5000K	1040LM

OTHER DATA



19.2W IP54 LED STRIP LIGHT

12

LED STRIP



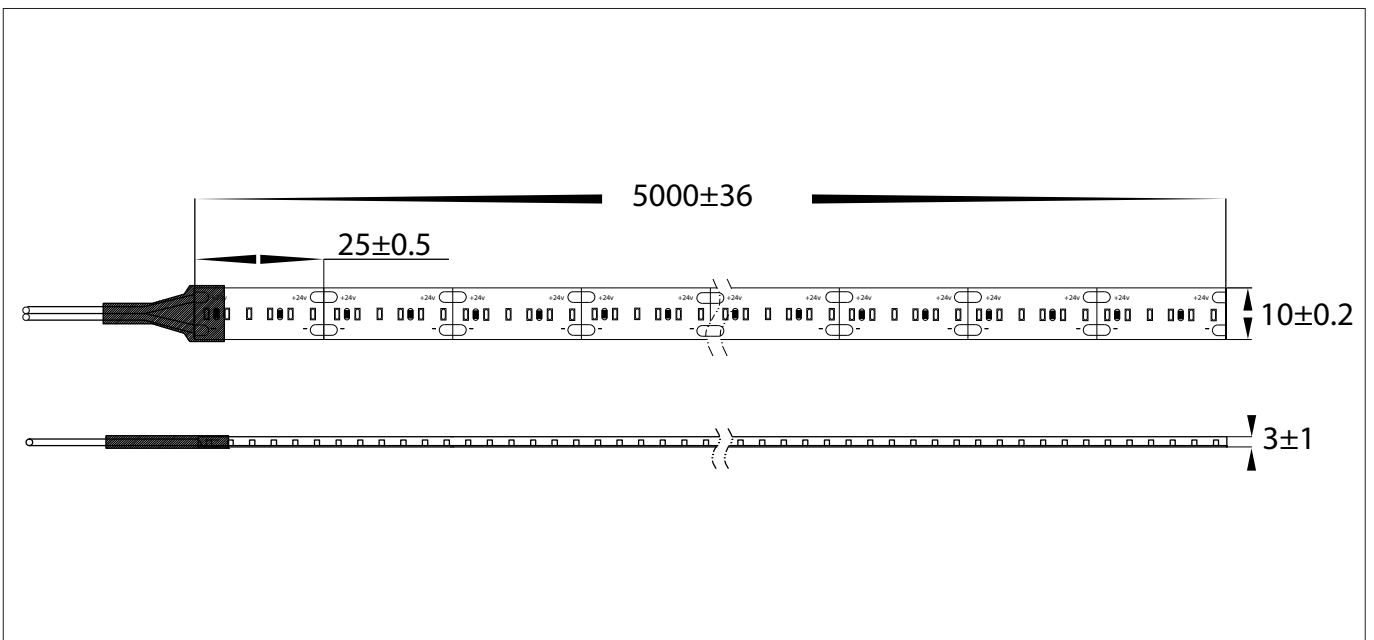
PRODUCT DATA

19.2w IP54 LED STRIP LIGHT	
LED CHIP TYPE	2110
SIZE	10MM X 3MM
PCB	3OZ
LED CHIPS / METRE	240 LED
CUT INCREMENTS	EVERY 25MM
COLOUR TEMP.	2700K 3000K 4000K 5000K
LUMEN OUTPUT	1250LM 1278LM 1362LM 1438LM
INPUT VOLTAGE	24V DC
WIRING	PARALLEL
MOUNTING	ALUMINIUM PROFILE OR HEAT SINK
MAXIMUM LENGTH	5,000MM
REQUIREMENTS	24V DC LED DRIVER
DIMMING	0-1/10V, DALI, DMX, RF
CRI	RA >90
BEAM ANGLE	120°
IP RATING	IP54

PRODUCT ORDERING

240 LED STRIP			
	HCP-3355192	2700K	1250LM
	HCP-3355193	3000K	1278LM
	HCP-3355194	4000K	1362LM
	HCP-3355195	5000K	1438LM

OTHER DATA



4.8W IP67 LED STRIP LIGHT



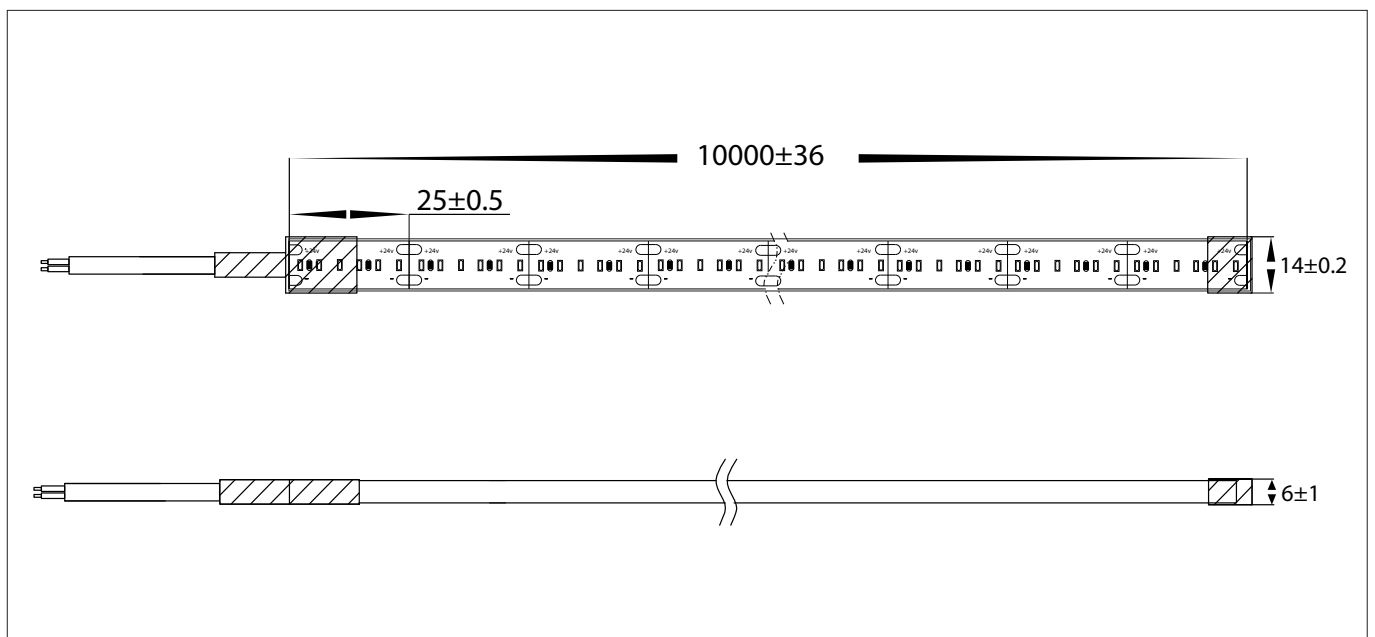
PRODUCT DATA

4.8w IP67 LED STRIP LIGHT	
LED CHIP TYPE	2110
SIZE	14MM X 6MM
PCB	3OZ
LED CHIPS / METRE	240 LED
CUT INCREMENTS	EVERY 25MM
COLOUR TEMP.	2700K 3000K 4000K 5000K
LUMEN OUTPUT	270LM 305LM 329LM 342LM
INPUT VOLTAGE	24V DC
WIRING	PARALLEL
MOUNTING	ALUMINIUM PROFILE OR HEAT SINK
MAXIMUM LENGTH	10,000MM
REQUIREMENTS	24V DC LED DRIVER
DIMMING	0-1/10V, DALI, DMX, RF
CRI	RA >90
BEAM ANGLE	120°
IP RATING	IP67

PRODUCT ORDERING

240 LED STRIP			
	HCP-3365482	2700K	270LM
	HCP-3365483	3000K	305LM
	HCP-3365484	4000K	329LM
	HCP-3365485	5000K	342LM

OTHER DATA



9.6W IP67 LED STRIP LIGHT



12

LED STRIP

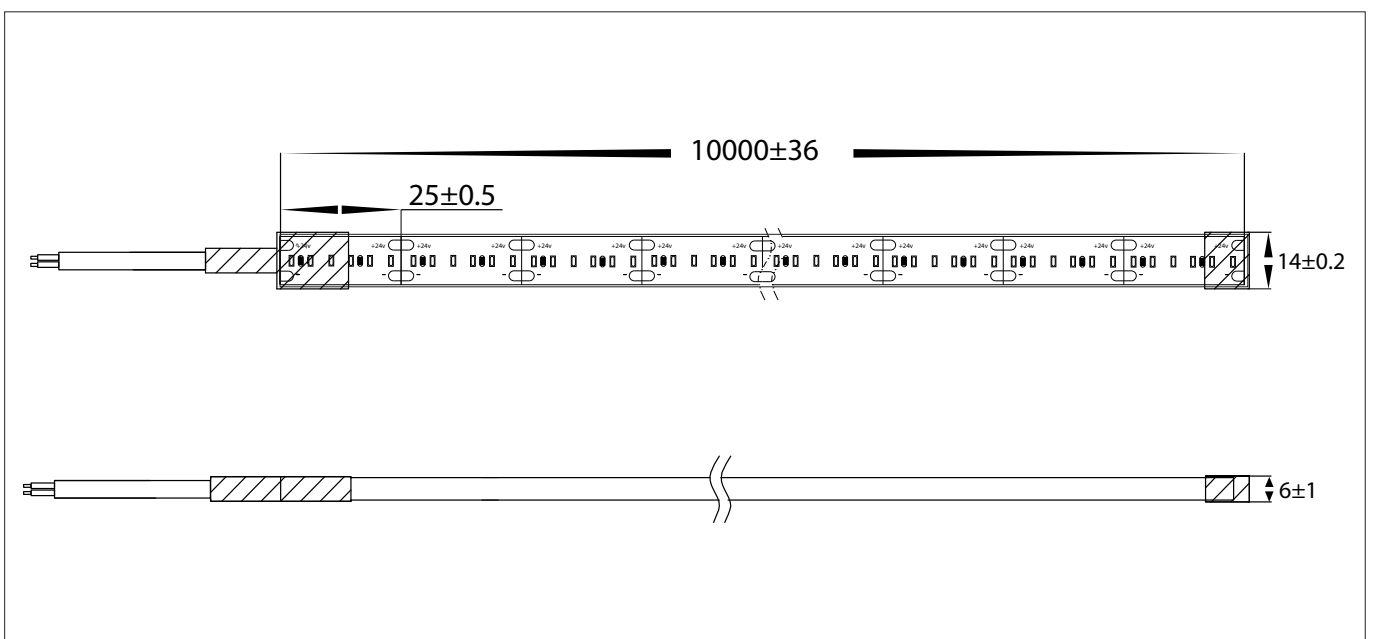
PRODUCT DATA

9.6w IP67 LED STRIP LIGHT	
LED CHIP TYPE	2110
SIZE	14MM X 6MM
PCB	3OZ
LED CHIPS / METRE	240 LED
CUT INCREMENTS	EVERY 25MM
COLOUR TEMP.	2700K 3000K 4000K 5000K
LUMEN OUTPUT	558LM 599LM 629LM 625LM
INPUT VOLTAGE	24V DC
WIRING	PARALLEL
MOUNTING	ALUMINIUM PROFILE OR HEAT SINK
MAXIMUM LENGTH	10,000MM
REQUIREMENTS	24V DC LED DRIVER
DIMMING	0-1/10V, DALI, DMX, RF
CRI	RA >90
BEAM ANGLE	120°
IP RATING	IP67

PRODUCT ORDERING

240 LED STRIP			
	HCP-3365962	2700K	558LM
	HCP-3365963	3000K	599LM
	HCP-3365964	4000K	629LM
	HCP-3365965	5000K	625LM

OTHER DATA



14.4W IP67 LED STRIP LIGHT



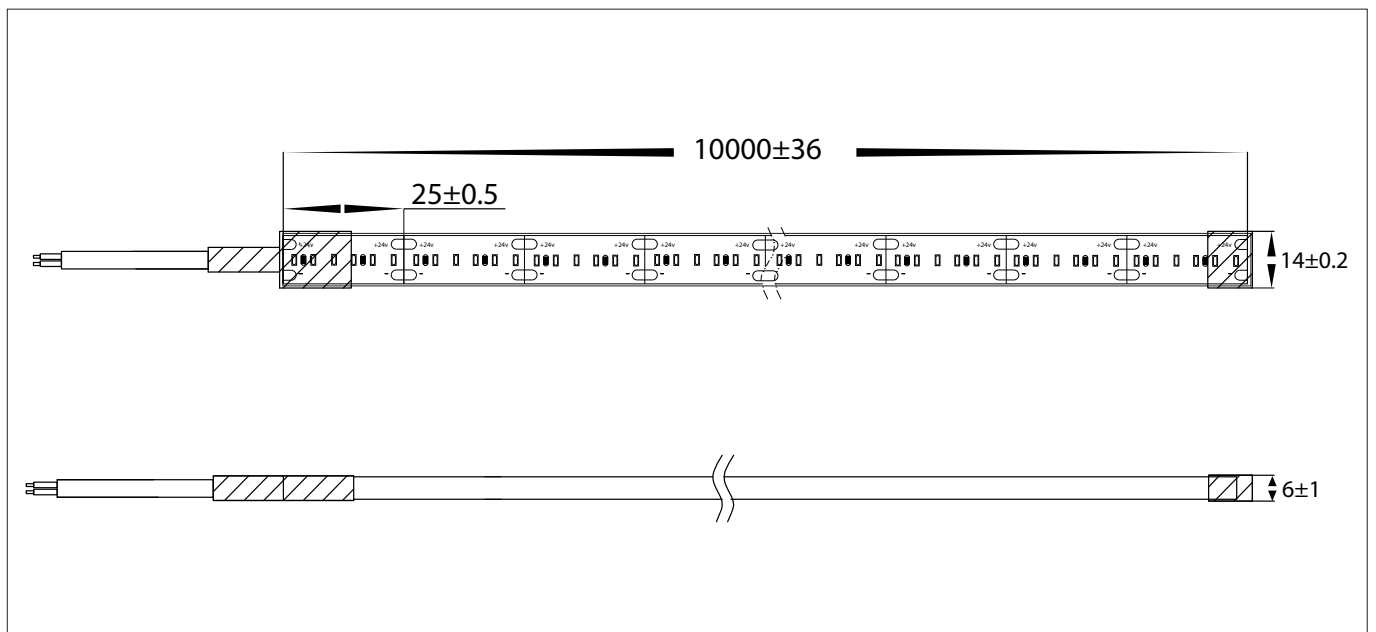
PRODUCT DATA

14.4w IP67 LED STRIP LIGHT	
LED CHIP TYPE	2110
SIZE	14MM X 6MM
PCB	3OZ
LED CHIPS / METRE	240 LED
CUT INCREMENTS	EVERY 25MM
COLOUR TEMP.	2700K 3000K 4000K 5000K
LUMEN OUTPUT	810LM 883LM 904LM 933LM
INPUT VOLTAGE	24V DC
WIRING	PARALLEL
MOUNTING	ALUMINIUM PROFILE OR HEAT SINK
MAXIMUM LENGTH	10,000MM
REQUIREMENTS	24V DC LED DRIVER
DIMMING	0-1/10V, DALI, DMX, RF
CRI	RA >90
BEAM ANGLE	120°
IP RATING	IP67

PRODUCT ORDERING

240 LED STRIP			
	HCP-3365142	2700K	810LM
	HCP-3365143	3000K	883LM
	HCP-3365144	4000K	904LM
	HCP-3365145	5000K	933LM

OTHER DATA



19.2W IP67 LED STRIP LIGHT

12

LED STRIP



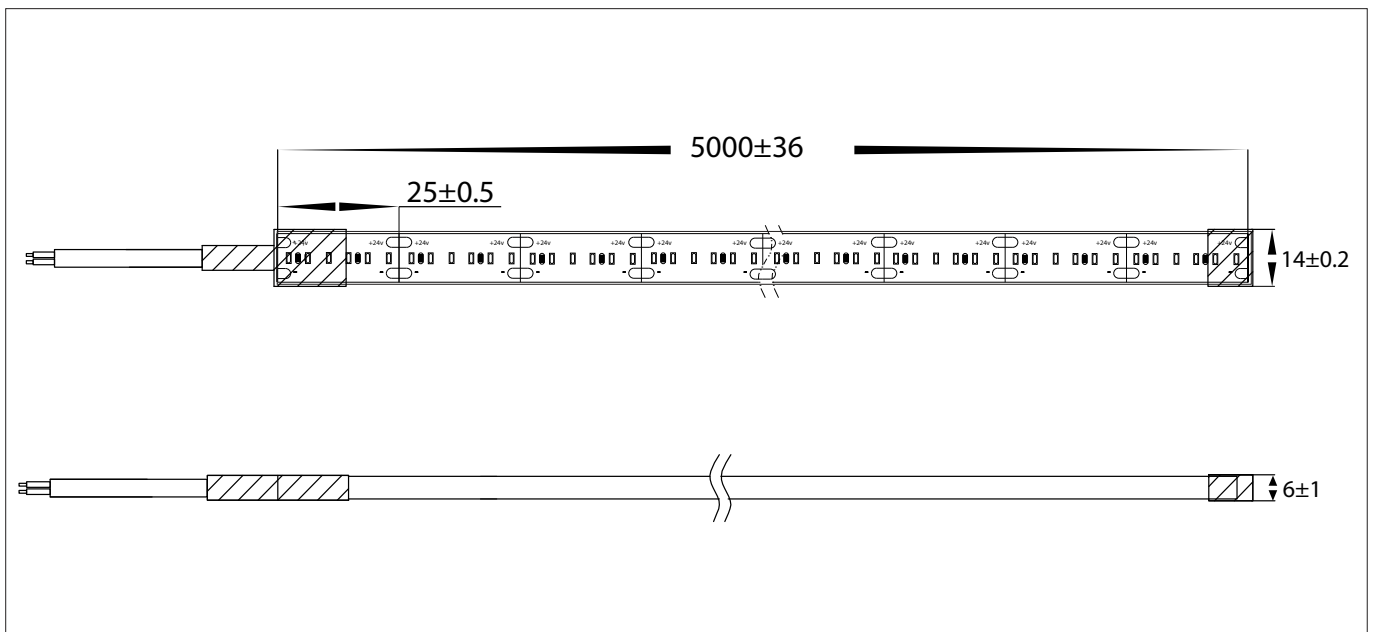
PRODUCT DATA

19.2w IP67 LED STRIP LIGHT	
LED CHIP TYPE	2110
SIZE	14MM X 6MM
PCB	3OZ
LED CHIPS / METRE	240 LED
CUT INCREMENTS	EVERY 25MM
COLOUR TEMP.	2700K 3000K 4000K 5000K
LUMEN OUTPUT	1150LM 1268LM 1328LM 1384LM
INPUT VOLTAGE	24V DC
WIRING	PARALLEL
MOUNTING	ALUMINIUM PROFILE OR HEAT SINK
MAXIMUM LENGTH	5,000MM
REQUIREMENTS	24V DC LED DRIVER
DIMMING	0-1/10V, DALI, DMX, RF
CRI	RA >90
BEAM ANGLE	120°
IP RATING	IP67

PRODUCT ORDERING

240 LED STRIP			
	HCP-3365192	2700K	1150LM
	HCP-3365193	3000K	1268LM
	HCP-3365194	4000K	1328LM
	HCP-3365195	5000K	1384LM

OTHER DATA



HIGH DENSITY 19.2W IP20 LED STRIP LIGHT



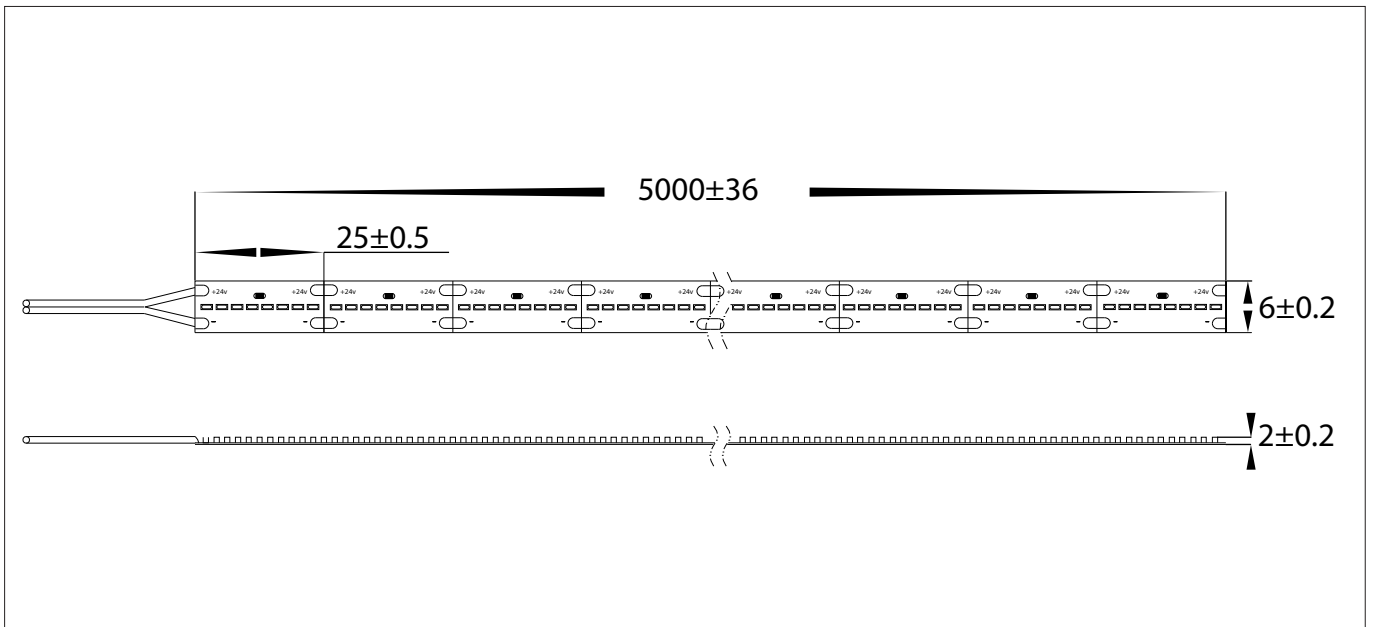
PRODUCT DATA

HIGH DENSITY 19.2w IP20 LED STRIP LIGHT	
LED CHIP TYPE	2110
SIZE	6MM X 2MM
PCB	3OZ
LED CHIPS / METRE	320 LED
CUT INCREMENTS	EVERY 25MM
COLOUR TEMP.	2700K 3000K 4000K 5000K
LUMEN OUTPUT	1750LM 1767LM 1837LM 1858LM
INPUT VOLTAGE	24V DC
WIRING	PARALLEL
MOUNTING	ALUMINIUM PROFILE OR HEAT SINK
MAXIMUM LENGTH	5,000MM
REQUIREMENTS	24V DC LED DRIVER
DIMMING	0-1/10V, DALI, DMX, RF
CRI	RA >90
BEAM ANGLE	120°
IP RATING	IP20

PRODUCT ORDERING

320 LED STRIP			
	HCP-3326192	2700K	1750LM
	HCP-3326193	3000K	1767LM
	HCP-3326194	4000K	1837LM
	HCP-3326195	5000K	1858LM

OTHER DATA



HIGH DENSITY 20W IP20 LED STRIP LIGHT

12

LED STRIP



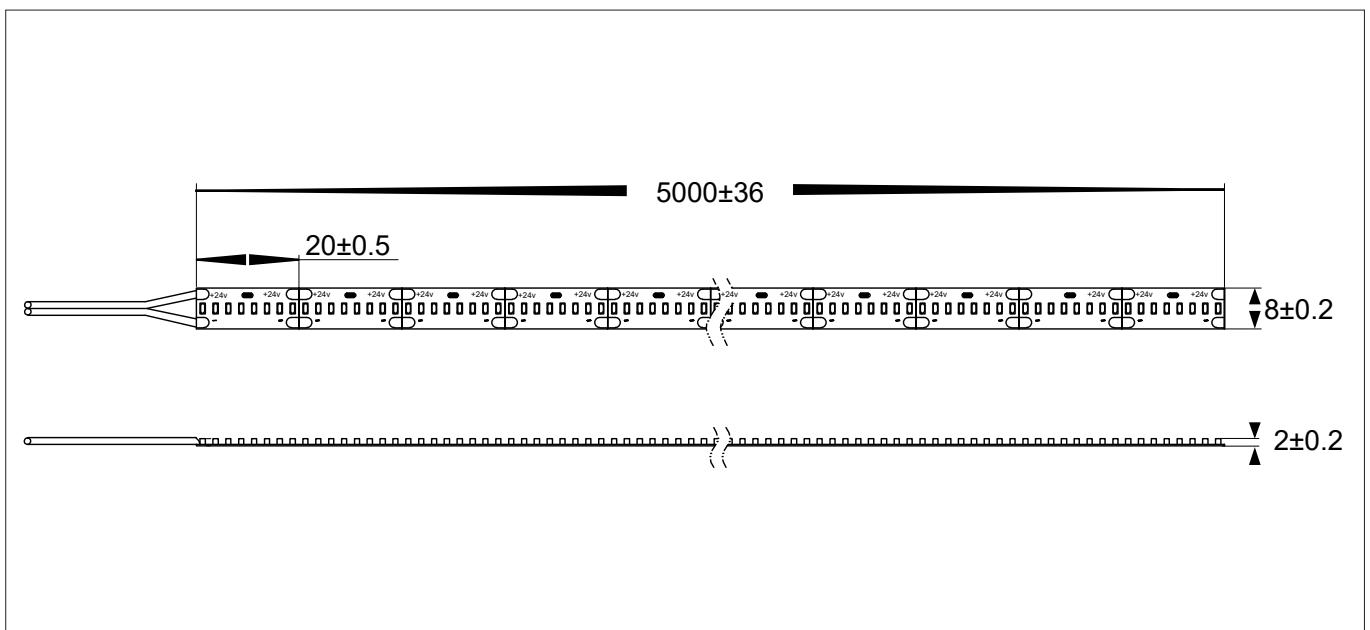
PRODUCT DATA

HIGH DENSITY 20w IP20 LED STRIP LIGHT	
LED CHIP TYPE	2110
SIZE	8MM X 2MM
PCB	3OZ
LED CHIPS / METRE	400 LED
CUT INCREMENTS	EVERY 20MM
COLOUR TEMP.	2700K 3000K 4000K 5000K
LUMEN OUTPUT	1717LM 1865LM 2089LM 2097LM
INPUT VOLTAGE	24V DC
WIRING	PARALLEL
MOUNTING	ALUMINIUM PROFILE OR HEAT SINK
MAXIMUM LENGTH	5,000MM
REQUIREMENTS	24V DC LED DRIVER
DIMMING	0-1/10V, DALI, DMX, RF
CRI	RA >90
BEAM ANGLE	120°
IP RATING	IP20

PRODUCT ORDERING

400 LED STRIP			
	HCP-3327202	2700K	1717LM
	HCP-3327203	3000K	1865LM
	HCP-3327204	4000K	2089LM
	HCP-3327205	5000K	2097LM

OTHER DATA



HIGH DENSITY 24W IP20 LED STRIP LIGHT



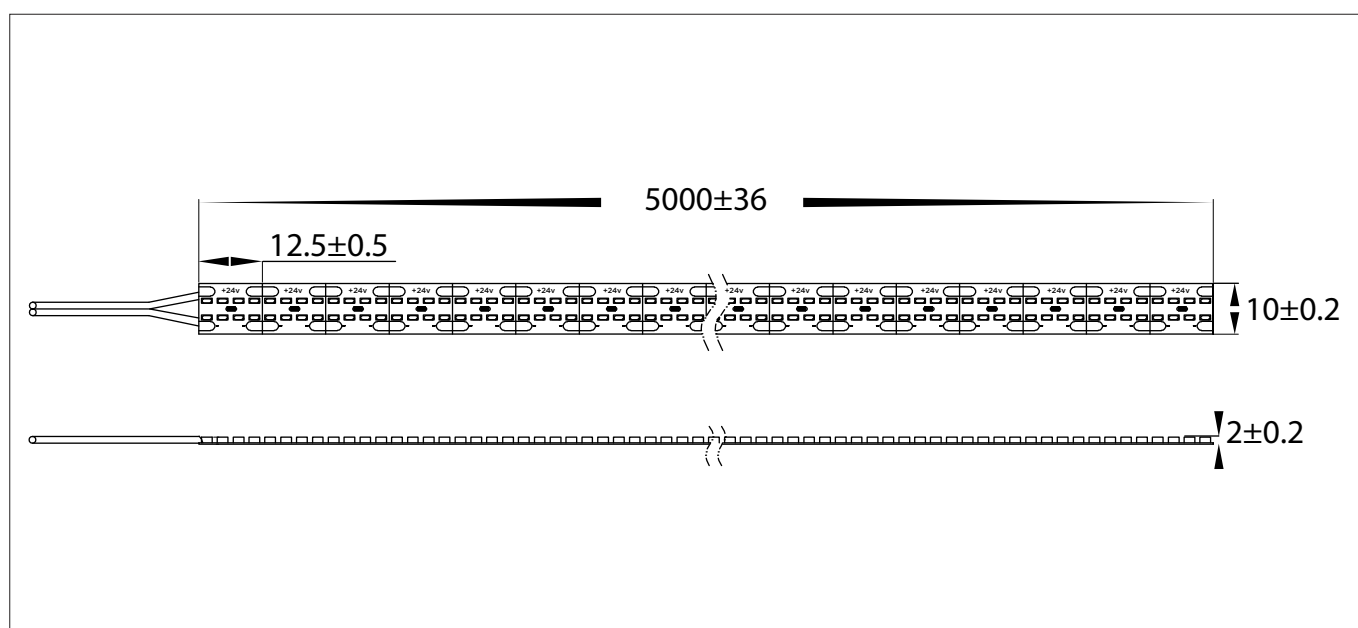
PRODUCT DATA

HIGH DENSITY 24w IP20 LED STRIP LIGHT	
LED CHIP TYPE	2110
SIZE	10MM X 2MM
PCB	30Z
LED CHIPS / METRE	640 LED
CUT INCREMENTS	EVERY 12.5MM
COLOUR TEMP.	2700K 3000K 4000K 5000K
LUMEN OUTPUT	2214LM 2327LM 2491LM 2384LM
INPUT VOLTAGE	24V DC
WIRING	PARALLEL
MOUNTING	ALUMINIUM PROFILE OR HEAT SINK
MAXIMUM LENGTH	5,000MM
REQUIREMENTS	24V DC LED DRIVER
DIMMING	0-1/10V, DALI, DMX, RF
CRI	RA >90
BEAM ANGLE	120°
IP RATING	IP20

PRODUCT ORDERING

640 LED STRIP			
	HCP-3328242	2700K	2214LM
	HCP-3328243	3000K	2327LM
	HCP-3328244	4000K	2491LM
	HCP-3328245	5000K	2384LM

OTHER DATA



HIGH DENSITY 28.8W IP20 LED STRIP LIGHT

12

LED STRIP



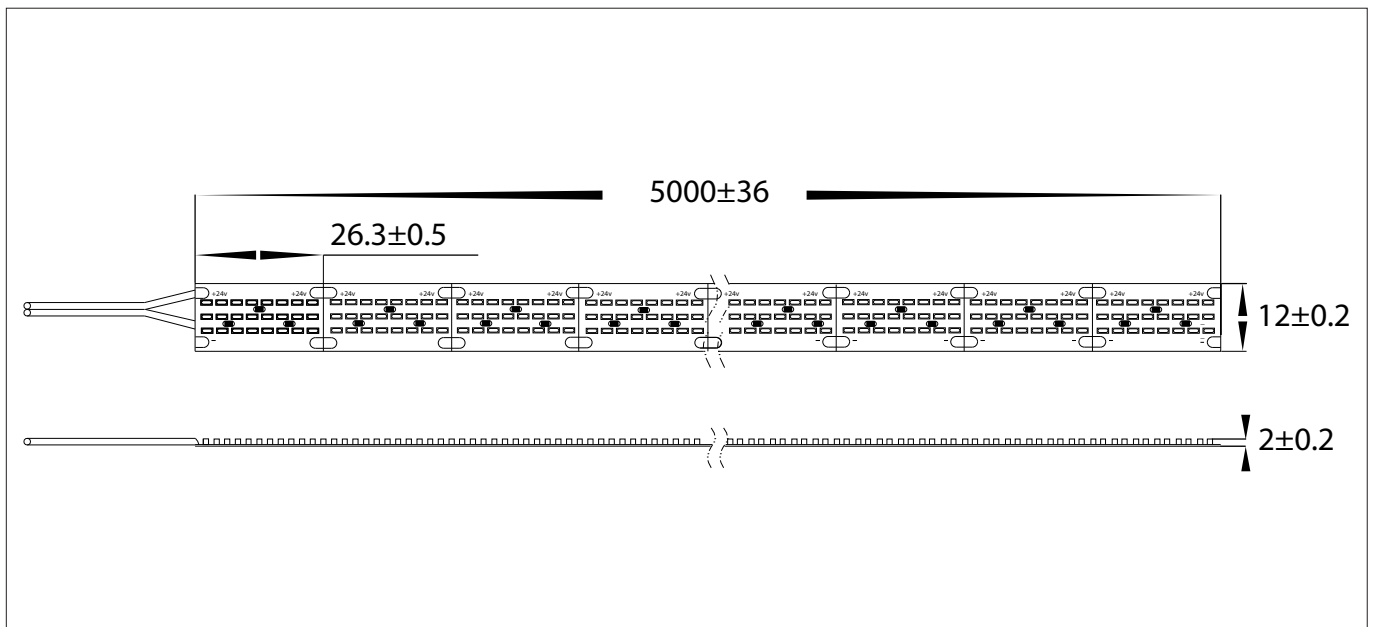
PRODUCT DATA

HIGH DENSITY 28.8w IP20 LED STRIP LIGHT	
LED CHIP TYPE	2110
SIZE	12MM X 2MM
PCB	3OZ
LED CHIPS / METRE	912 LED
CUT INCREMENTS	EVERY 26MM
COLOUR TEMP.	2700K 3000K 4000K 5000K
LUMEN OUTPUT	2727LM 2837LM 2999LM 3031LM
INPUT VOLTAGE	24V DC
WIRING	PARALLEL
MOUNTING	ALUMINIUM PROFILE OR HEAT SINK
MAXIMUM LENGTH	5,000MM
REQUIREMENTS	24V DC LED DRIVER
DIMMING	0-1/10V, DALI, DMX, RF
CRI	RA >90
BEAM ANGLE	120°
IP RATING	IP20

PRODUCT ORDERING

912 LED STRIP			
	HCP-3329282	2700K	2727LM
	HCP-3329283	3000K	2837LM
	HCP-3329284	4000K	2999LM
	HCP-3329285	5000K	3031LM

OTHER DATA



BENDABLE LED STRIP



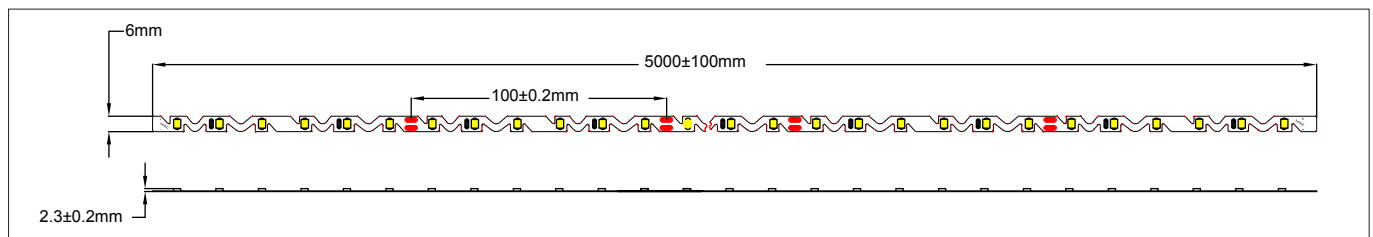
PRODUCT DATA

14.4w IP54 BENDABLE LED STRIP	
LED CHIP TYPE	2835
SIZE	6MM X 3MM
PCB	3OZ
LED CHIPS / METRE	60 LED
CUT INCREMENTS	EVERY 100MM
COLOUR TEMP.	2700K 3000K 4000K 5000K
LUMEN OUTPUT	909M 967LM 978LM 1040LM
INPUT VOLTAGE	24V DC
WIRING	PARALLEL
MOUNTING	ALUMINIUM PROFILE OR HEAT SINK
MAXIMUM LENGTH	5,000MM
REQUIREMENTS	24V DC LED DRIVER
DIMMING	0-1/10V, DALI, DMX, RF
CRI	RA >90
BEAM ANGLE	120°
IP RATING	IP54

PRODUCT ORDERING

LED STRIP			
	HCP-3251142	2700K	909LM
	HCP-3251143	3000K	967LM
	HCP-3251144	4000K	978LM
	HCP-3251145	5000K	1040LM

OTHER DATA









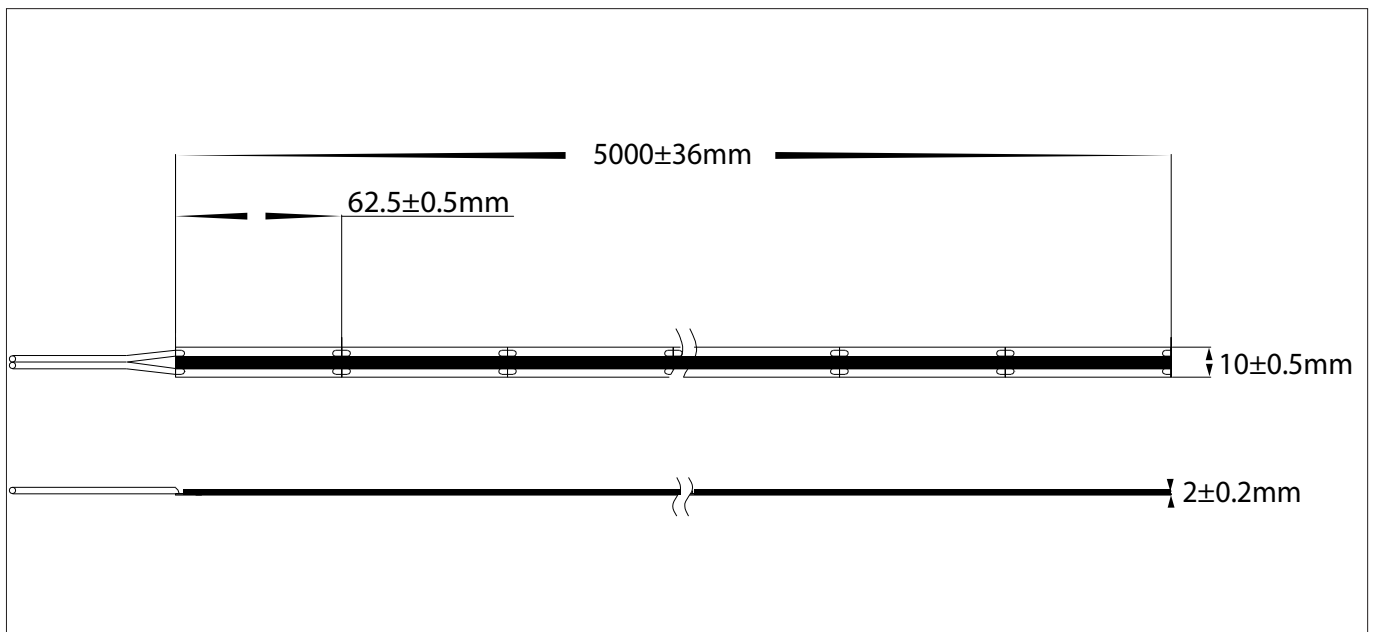
PRODUCT DATA

11W IP20 COB LED STRIP	
LED CHIP TYPE	COB
SIZE	10MM X 2MM
PCB	3OZ
LED CHIPS / METRE	512 LED
CUT INCREMENTS	62.5MM
COLOUR TEMP	2700K 3000K 4000K 5000K
LUMEN OUTPUT	892LM 908LM 1005LM 1028LM
INPUT VOLTAGE	24V DC
WIRING	PARALLEL
MOUNTING	ALUMINIUM HEAT SINK OR PROFILE
MAXIMUM LENGTH	5000MM
REQUIREMENTS	24V DC LED DRIVER
DIMMING	TRIAC, 0-1/10V, DALI, DMX, RF, WIFI
CRI	RA>90
BEAM ANGLE	120°
IP RATING	IP20

PRODUCT ORDERING

512 LED STRIP			
	HCP-3221112	2700K	892LM
	HCP-3221113	3000K	908LM
	HCP-3221114	4000K	1005LM
	HCP-3221115	5000K	1028LM

OTHER DATA



20W DIM TO WARM IP20 LED STRIP



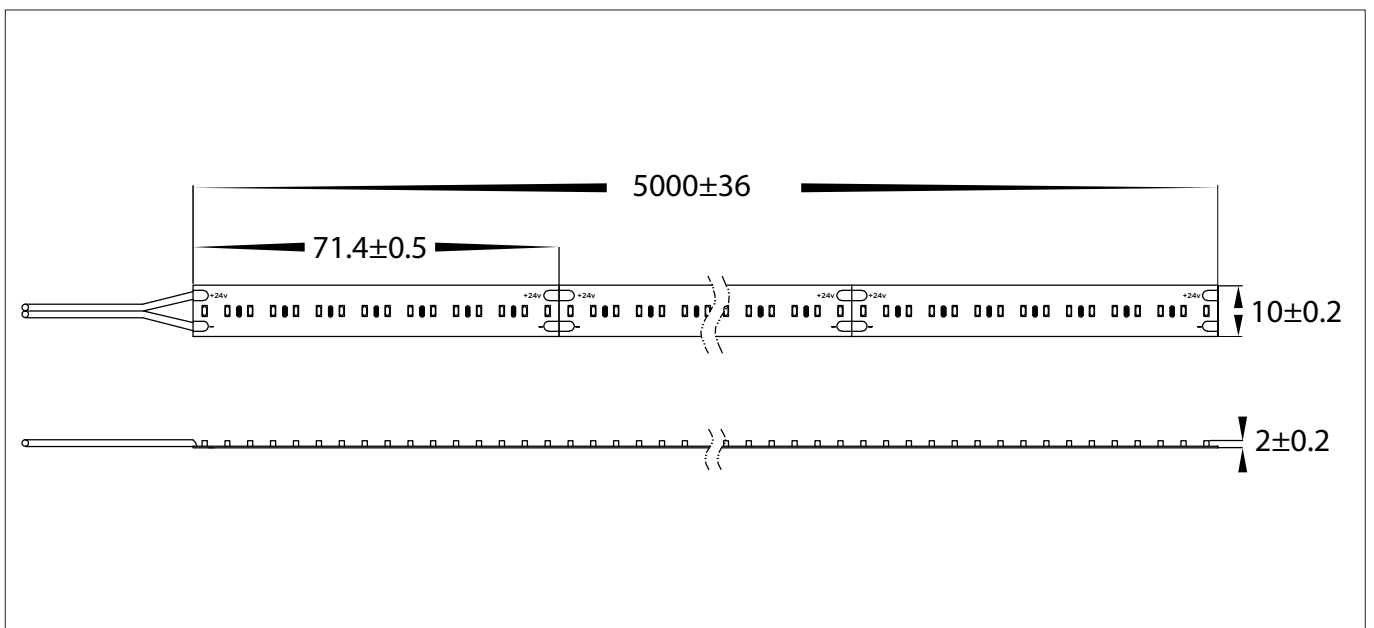
PRODUCT DATA

20W DIM TO WARM IP20 LED STRIP	
LED CHIP TYPE	2110
SIZE	10MM X 2MM
PCB	30Z
LED CHIPS / METRE	224 LED
CUT INCREMENTS	EVERY 72MM
COLOUR TEMP.	1800K + 2700K
LUMEN OUTPUT	1000LM
INPUT VOLTAGE	24V DC
WIRING	PARALLEL
MOUNTING	ALUMINIUM PROFILE OR HEAT SINK
MAXIMUM LENGTH	5,000MM
REQUIREMENTS	24V DC LED DRIVER + DIMMER
DIMMING	0-1/10V
CRI	RA >90
BEAM ANGLE	120°
IP RATING	IP20

PRODUCT ORDERING

224 LED STRIP			
	HCP-3324200	1800K + 2700K	1000LM

OTHER DATA



16W RGB+3000K & RGB+5000K IP20 LED STRIP

12

LED STRIP



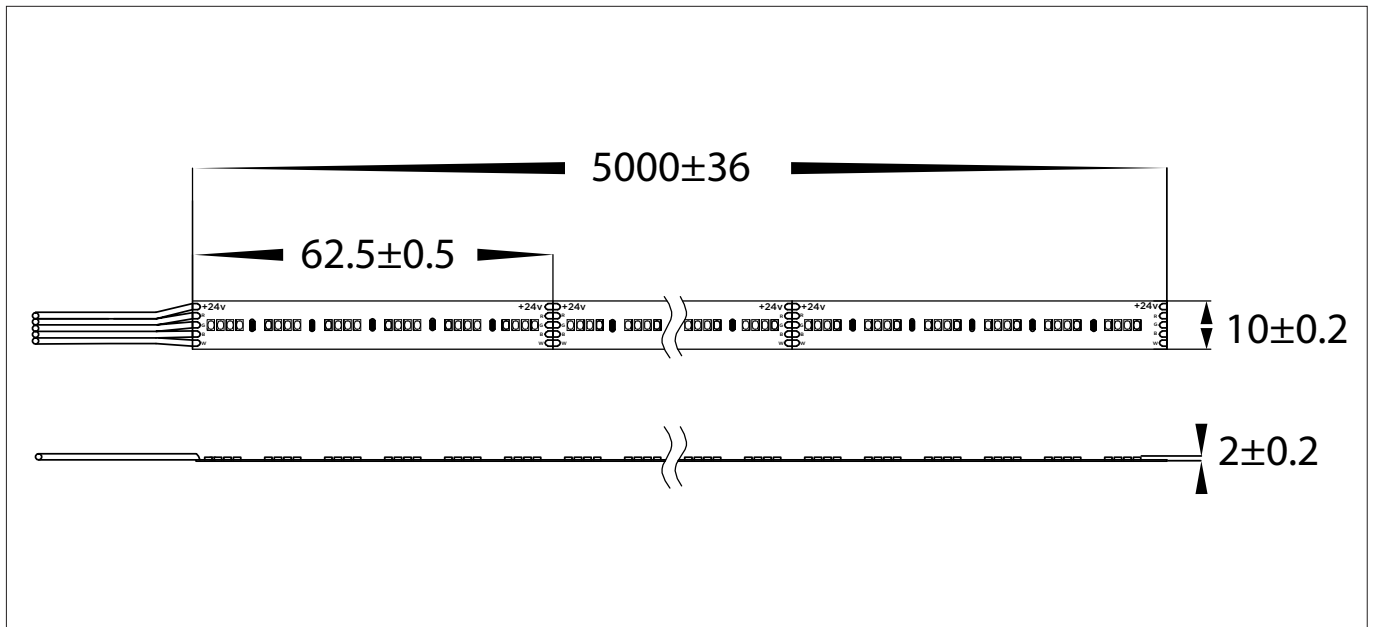
PRODUCT DATA

16W RGBC + RGBW IP20 LED STRIP	
LED CHIP TYPE	2110
SIZE	10MM X 2MM
PCB	3OZ
LED CHIPS / METRE	384 LED
CUT INCREMENTS	EVERY 62MM
COLOUR TEMP.	RGB + 5000K RGB + 3000K
LUMEN OUTPUT	750LM 700LM
INPUT VOLTAGE	24V DC
WIRING	PARALLEL
MOUNTING	ALUMINIUM PROFILE OR HEAT SINK
MAXIMUM LENGTH	5,000MM
REQUIREMENTS	24V DC LED DRIVER + CONTROLLER
DIMMING	0-1/10V, DALI, DMX, RF
CRI	RA >90
BEAM ANGLE	120°
IP RATING	IP20

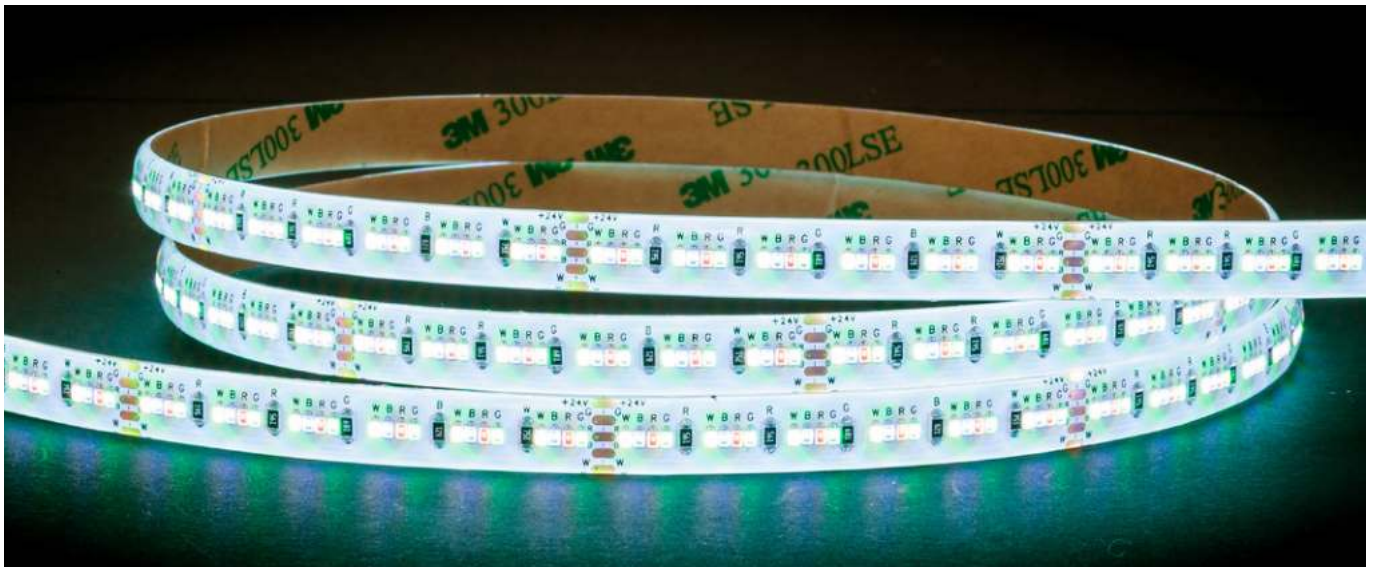
PRODUCT ORDERING

384 LED STRIP			
	HCP-3426150	RGB + 5000K	750LM
	HCP-3426151	RGB + 3000K	700LM

OTHER DATA



16W RGB+3000K & RGB+5000K IP54 LED STRIP



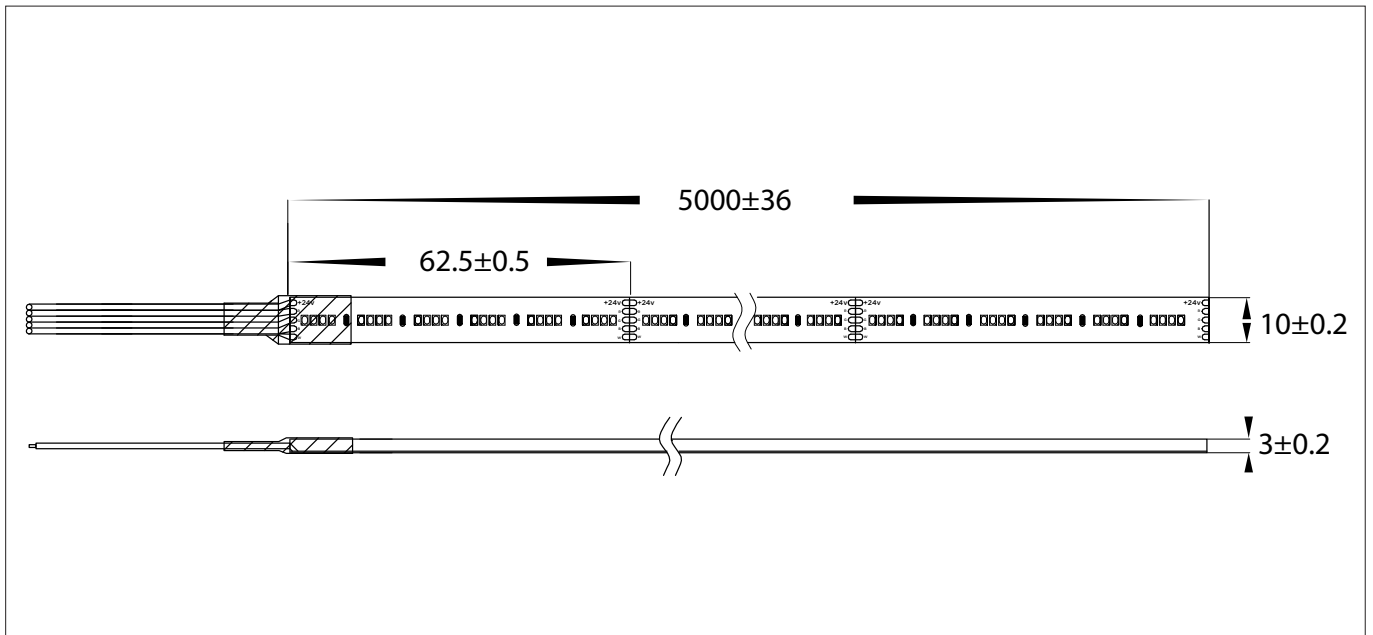
PRODUCT DATA

16W RGBC + RGBW IP54 LED STRIP	
LED CHIP TYPE	2216
SIZE	10MM X 3MM
PCB	3OZ
LED CHIPS / METRE	384 LED
CUT INCREMENTS	EVERY 62.5MM
COLOUR TEMP.	RGB + 5000K RGB + 3000K
LUMEN OUTPUT	750LM 700LM
INPUT VOLTAGE	24V DC
WIRING	PARALLEL
MOUNTING	ALUMINIUM PROFILE OR HEAT SINK
MAXIMUM LENGTH	5,000MM
REQUIREMENTS	24V DC LED DRIVER + CONTROLLER
DIMMING	0-1/10V, DALI, DMX & RF
CRI	RA >90
BEAM ANGLE	120°
IP RATING	IP54

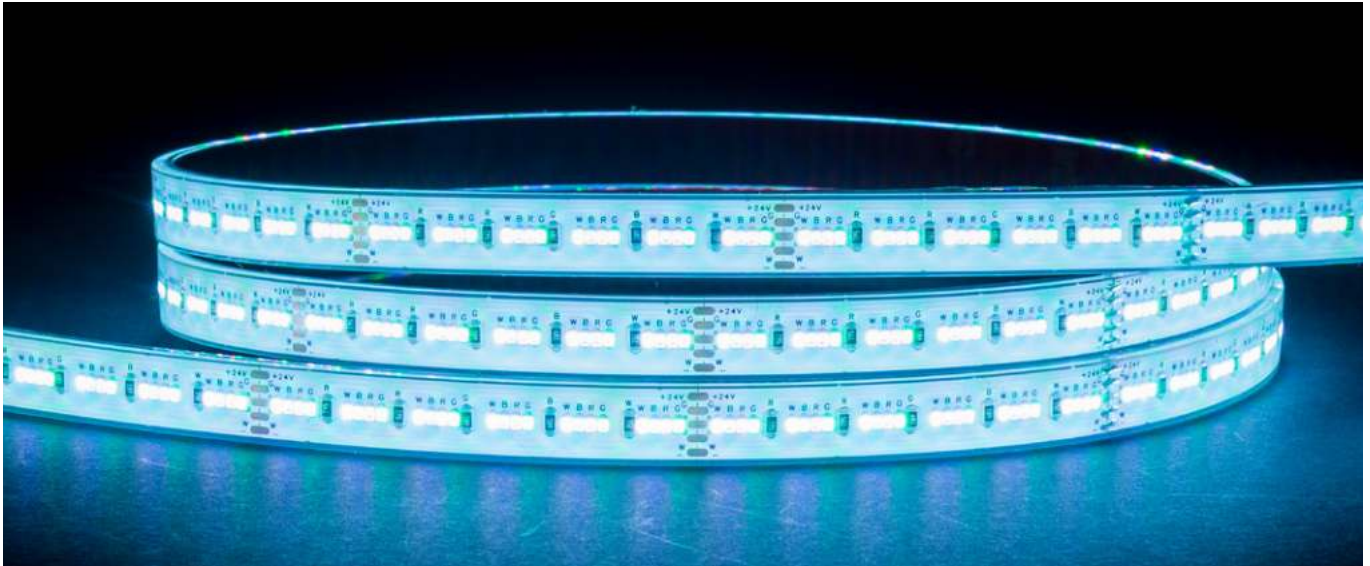
PRODUCT ORDERING

384 LED STRIP			
	HCP-3456150	RGB + 5000K	750LM
	HCP-3456151	RGB + 3000K	700LM

OTHER DATA



16W RGB+3000K & RGB+5000K IP67 LED STRIP



12

LED STRIP

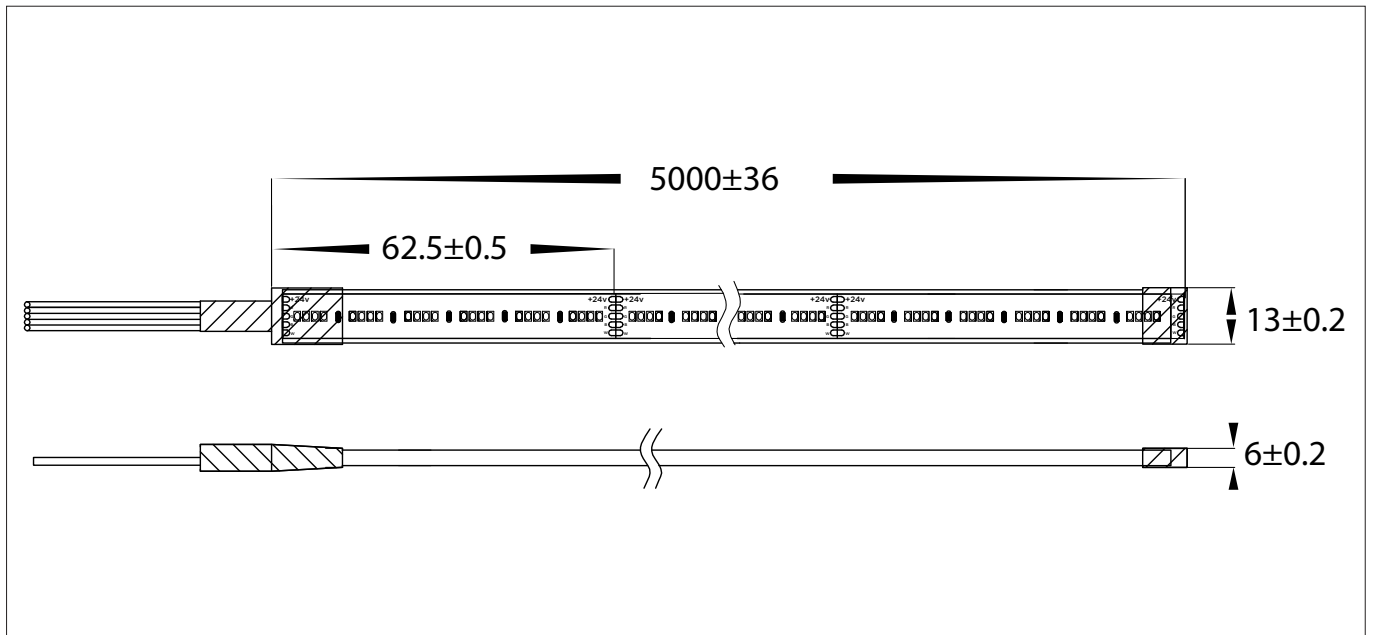
PRODUCT DATA

16W RGBC + RGBW IP67 LED STRIP	
LED CHIP TYPE	2216
SIZE	13MM X 6MM
PCB	3OZ
LED CHIPS / METRE	384 LED
CUT INCREMENTS	EVERY 62.5MM
COLOUR TEMP.	RGB + 5000K RGB + 3000K
LUMEN OUTPUT	750LM 700LM
INPUT VOLTAGE	24V DC
WIRING	PARALLEL
MOUNTING	ALUMINIUM PROFILE OR HEAT SINK
MAXIMUM LENGTH	5,000MM
REQUIREMENTS	24V DC LED DRIVER + CONTROLLER
DIMMING	0-1/10V, DALI, DMX & RF
CRI	RA >90
BEAM ANGLE	120°
IP RATING	IP67

PRODUCT ORDERING

384 LED STRIP			
	HCP-3466150	RGB + 5000K	750LM
	HCP-3466151	RGB + 3000K	700LM

OTHER DATA



20W RGB+3000K & RGB+5000K IP20 LED STRIP



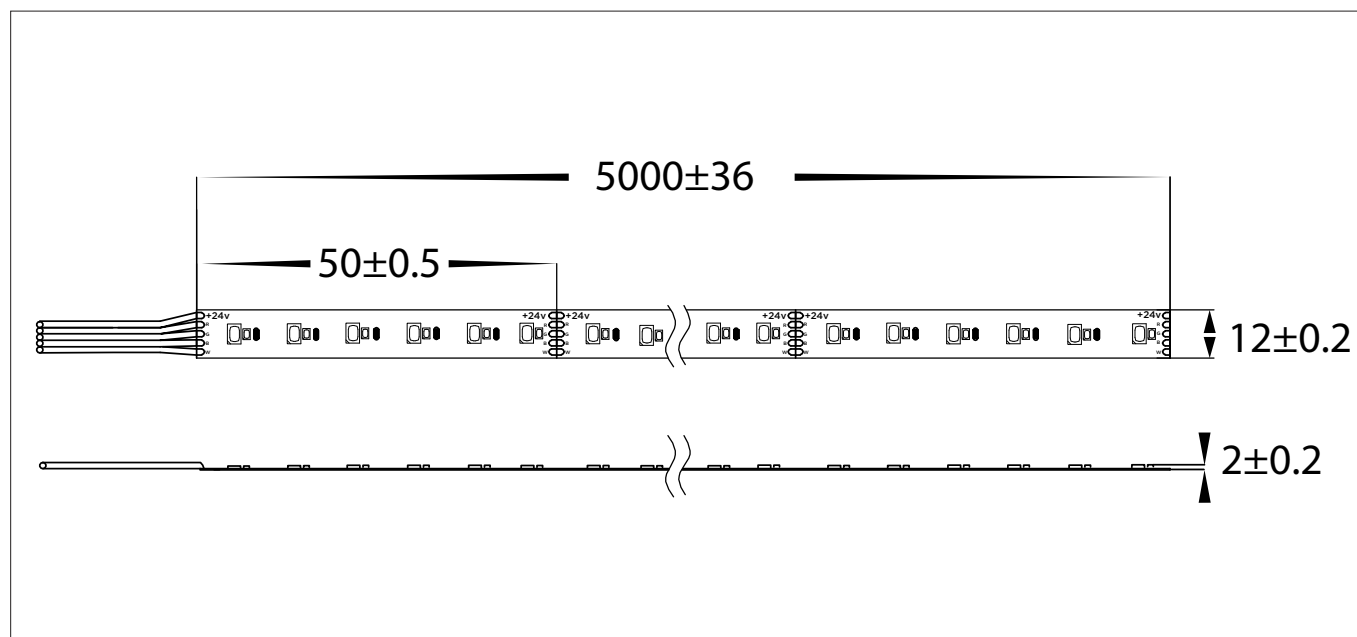
PRODUCT DATA

20W RGBC + RGBW IP20 LED STRIP	
LED CHIP TYPE	2835 + 2216
SIZE	12MM X 2MM
PCB	3OZ
LED CHIPS / METRE	240
CUT INCREMENTS	50MM
COLOUR TEMP.	RGB + 5000K RGB + 3000K
LUMEN OUTPUT	950LM 950LM
INPUT VOLTAGE	24V DC
WIRING	PARALLEL
MOUNTING	ALUMINIUM PROFILE OR HEAT SINK
MAXIMUM LENGTH	5000MM
REQUIREMENTS	24V DC LED DRIVER + CONTROLLER
DIMMING	0-1/10V, DALI, DMX, RF & WIFI
CRI	RA>90
BEAM ANGLE	120°
IP RATING	IP20

PRODUCT ORDERING

240 LED STRIP			
	HCP-3426250	RGB + 5000K	950LM
	HCP-3426251	RGB + 3000K	950LM

OTHER DATA



20W RGB+3000K & RGB+5000K IP54 LED STRIP



12

LED STRIP

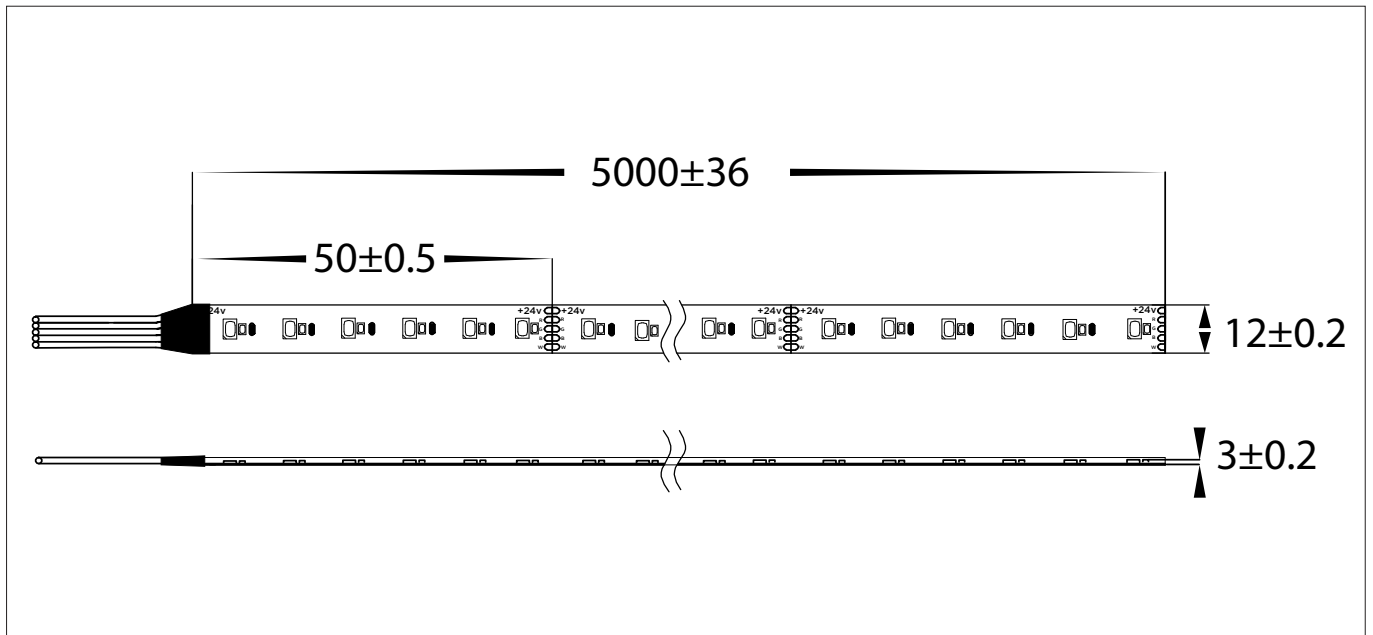
PRODUCT DATA

20W RGBC + RGBW IP54 LED STRIP	
LED CHIP TYPE	2835 + 2216
SIZE	12MM X 3MM
PCB	3OZ
LED CHIPS / METRE	240
CUT INCREMENTS	50MM
COLOUR TEMP.	RGB + 5000K RGB + 3000K
LUMEN OUTPUT	950LM 950LM
INPUT VOLTAGE	24V DC
WIRING	PARALLEL
MOUNTING	ALUMINIUM PROFILE OR HEAT SINK
MAXIMUM LENGTH	5000MM
REQUIREMENTS	24V DC LED DRIVER + CONTROLLER
DIMMING	0-1/10V, DALI, DMX, RF & WIFI
CRI	RA>90
BEAM ANGLE	120°
IP RATING	IP54

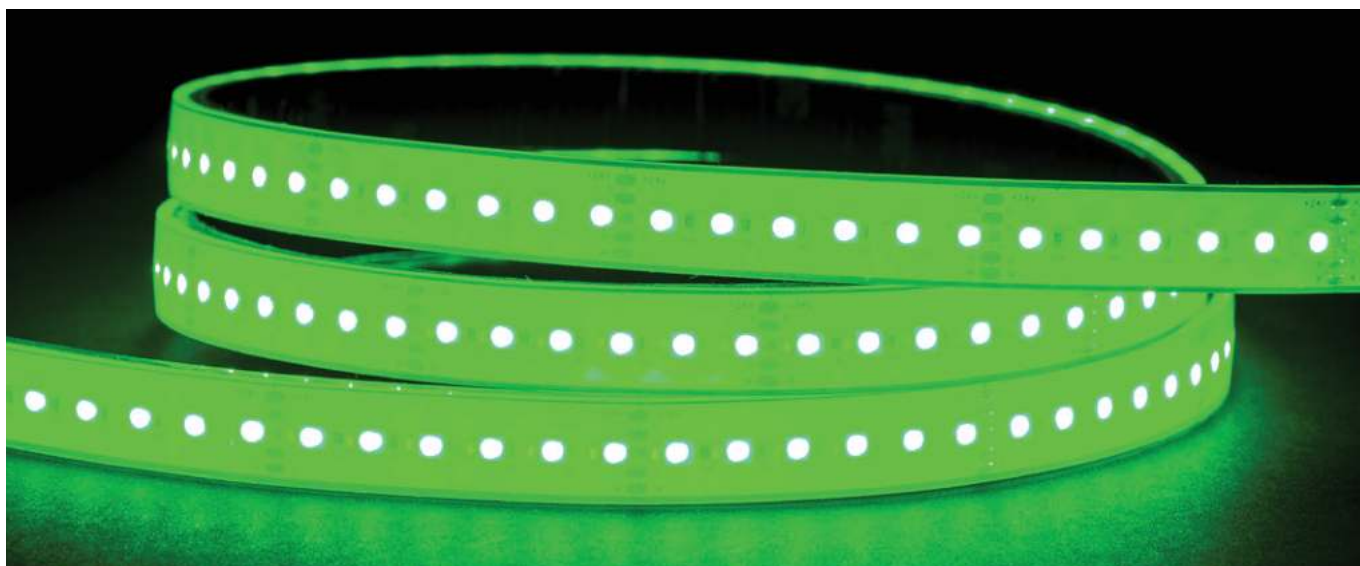
PRODUCT ORDERING

240 LED STRIP			
	HCP-3456250	RGB + 5000K	950LM
	HCP-3456251	RGB + 3000K	950LM

OTHER DATA



20W RGB+3000K & RGB+5000K IP67 LED STRIP



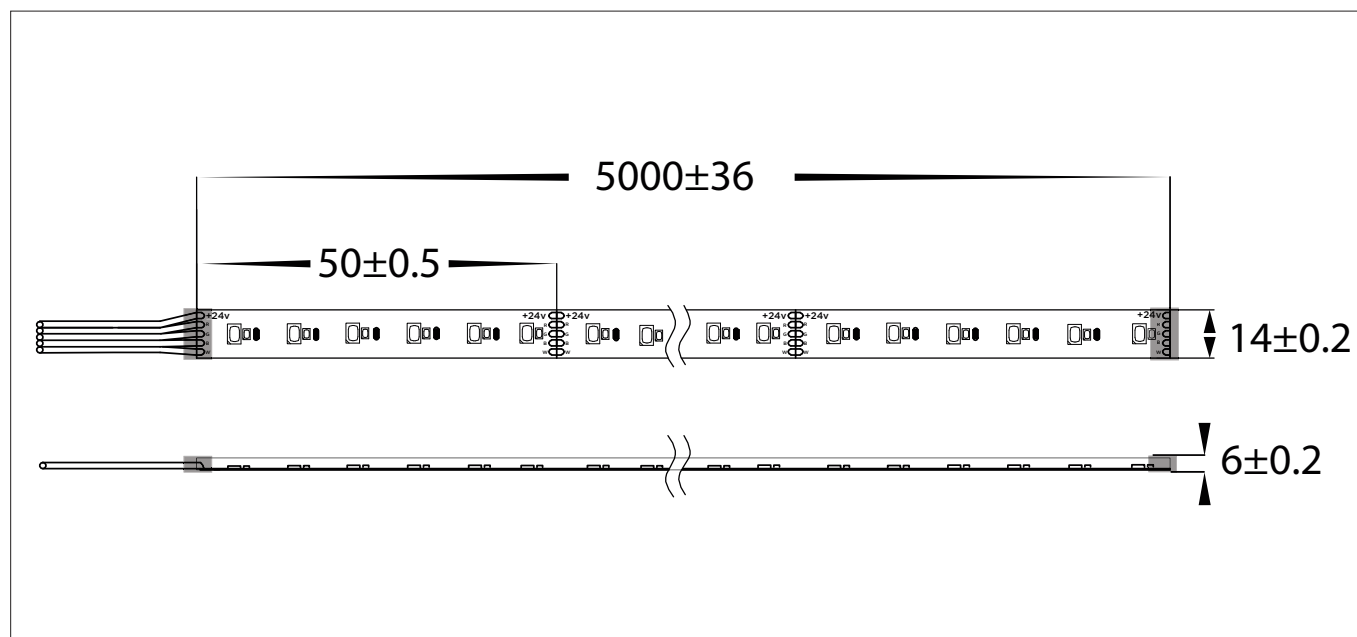
PRODUCT DATA

20W RGBC + RGBW IP67 LED STRIP	
LED CHIP TYPE	2835 + 2216
SIZE	14MM X 6MM
PCB	3OZ
LED CHIPS / METRE	240
CUT INCREMENTS	50MM
COLOUR TEMP.	RGB + 5000K RGB + 3000K
LUMEN OUTPUT	950LM 950LM
INPUT VOLTAGE	24V DC
WIRING	PARALLEL
MOUNTING	ALUMINIUM PROFILE OR HEAT SINK
MAXIMUM LENGTH	5000MM
REQUIREMENTS	24V DC LED DRIVER + CONTROLLER
DIMMING	0-1/10V, DALI, DMX, RF & WIFI
CRI	RA>90
BEAM ANGLE	120°
IP RATING	IP67

PRODUCT ORDERING

240 LED STRIP			
	HCP-3466250	RGB + 5000K	950LM
	HCP-3466251	RGB + 3000K	950LM

OTHER DATA





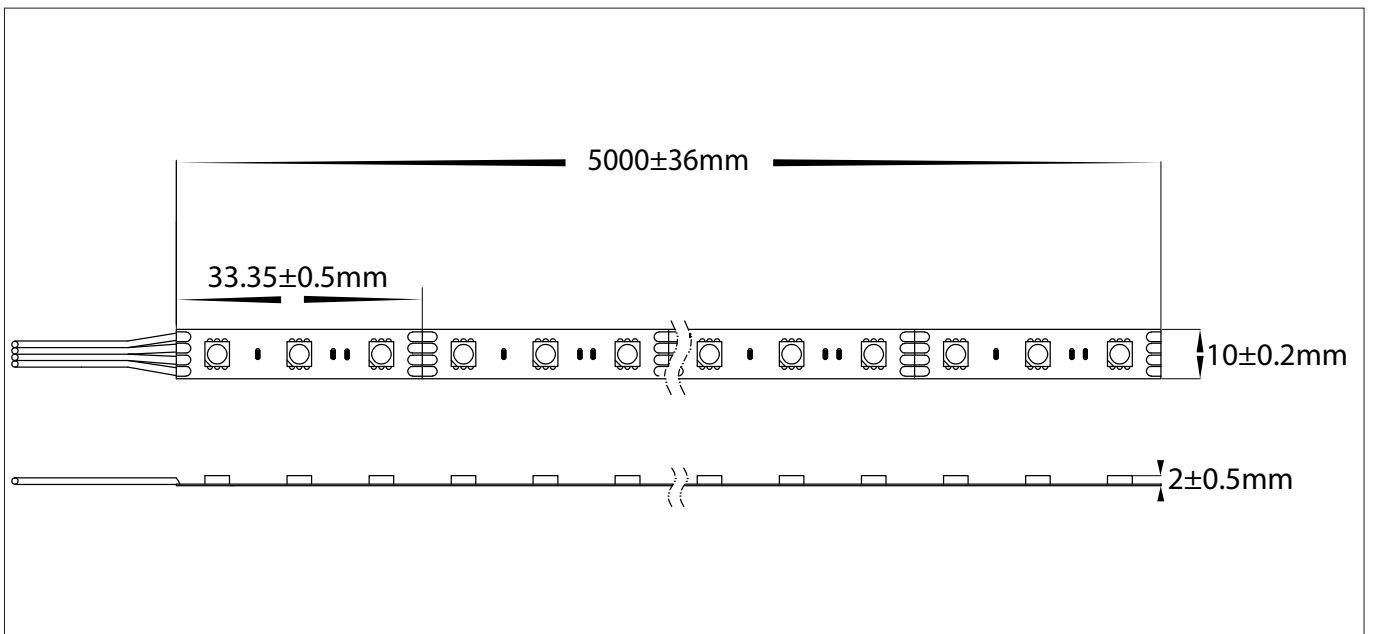
PRODUCT DATA

12W RGB IP20 LED STRIP	
LED CHIP TYPE	2835
SIZE	10MM X 2MM
PCB	3OZ
LED CHIPS / METRE	180
CUT INCREMENTS	33.35MM
COLOUR TEMP.	RGB
LUMEN OUTPUT	500LM
INPUT VOLTAGE	24V DC
WIRING	PARALLEL
MOUNTING	ALUMINIUM PROFILE OR HEAT SINK
MAXIMUM LENGTH	5000MM
REQUIREMENTS	24V DC LED DRIVER + CONTROLLER
DIMMING	0-1/10V, DALI, DMX, RF & WIFI
CRI	RA>90
BEAM ANGLE	120°
IP RATING	IP20

PRODUCT ORDERING

180 LED STRIP			
	HCP-3426350	RGB	500LM

OTHER DATA



12W RGB IP54 LED STRIP



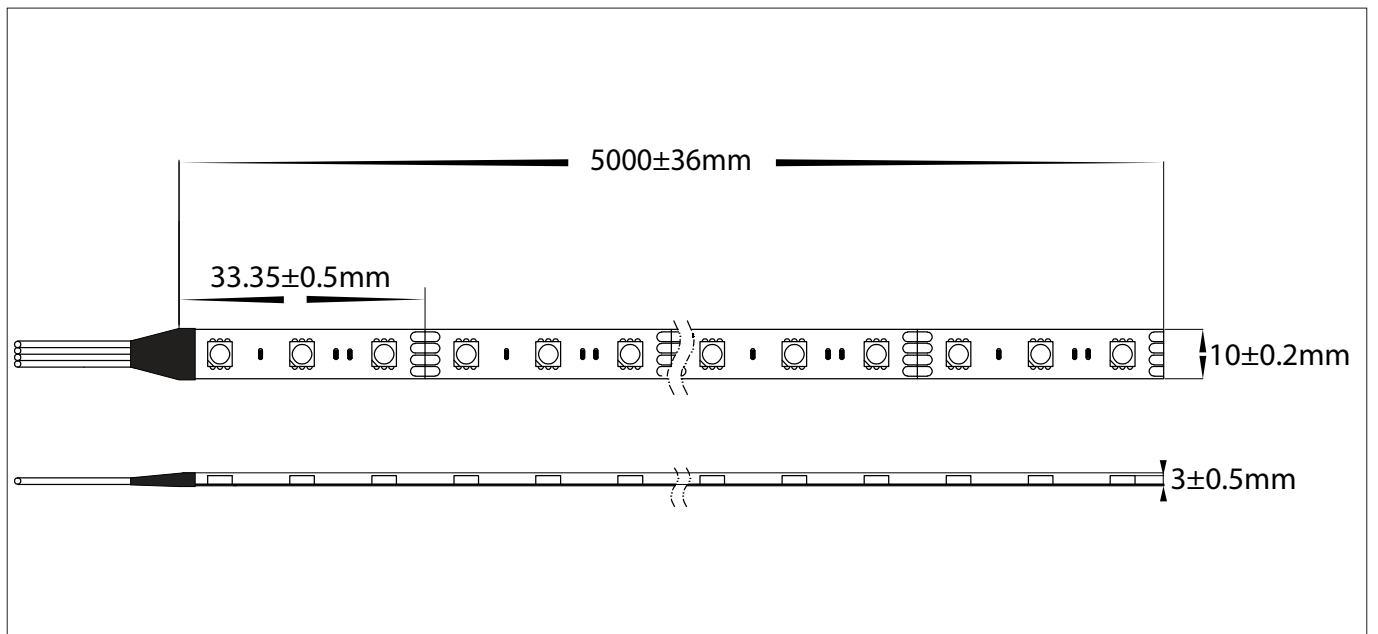
PRODUCT DATA

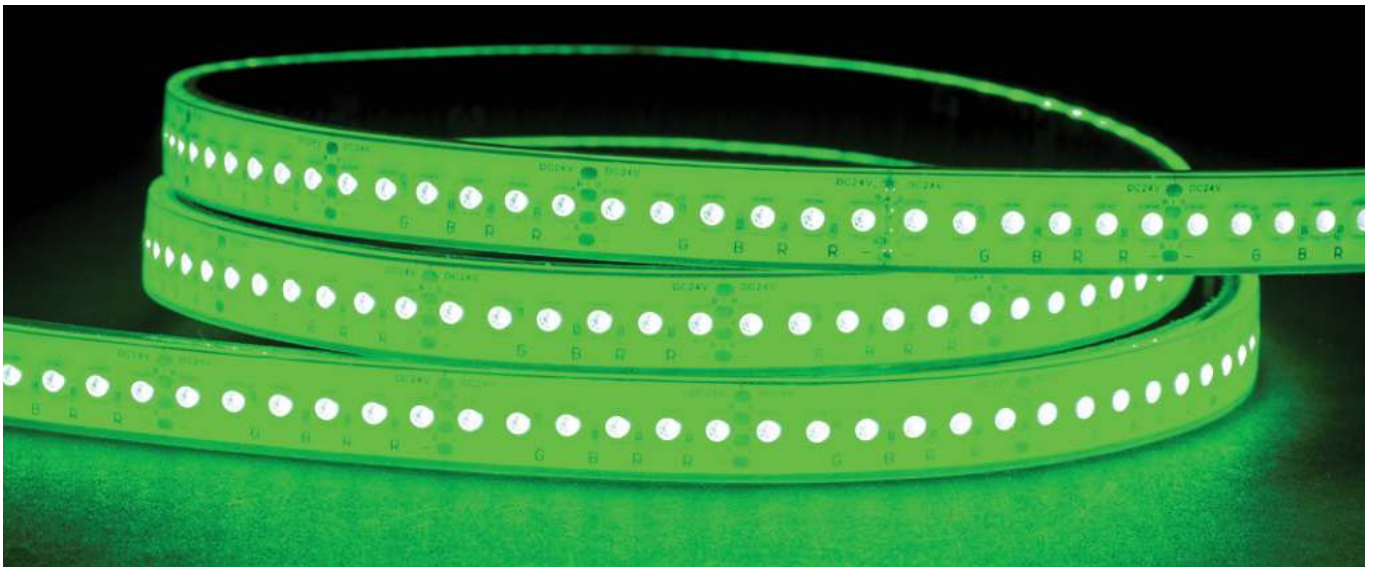
12W RGB IP54 LED STRIP	
LED CHIP TYPE	2835
SIZE	10MM X 3MM
PCB	30Z
LED CHIPS / METRE	180
CUT INCREMENTS	33.35MM
COLOUR TEMP.	RGB
LUMEN OUTPUT	500LM
INPUT VOLTAGE	24V DC
WIRING	PARALLEL
MOUNTING	ALUMINIUM PROFILE OR HEAT SINK
MAXIMUM LENGTH	5000MM
REQUIREMENTS	24V DC LED DRIVER + CONTROLLER
DIMMING	0-1/10V, DALI, DMX, RF & WIFI
CRI	RA>90
BEAM ANGLE	120°
IP RATING	IP54

PRODUCT ORDERING

180 LED STRIP			
	HCP-3456350	RGB	500LM

OTHER DATA





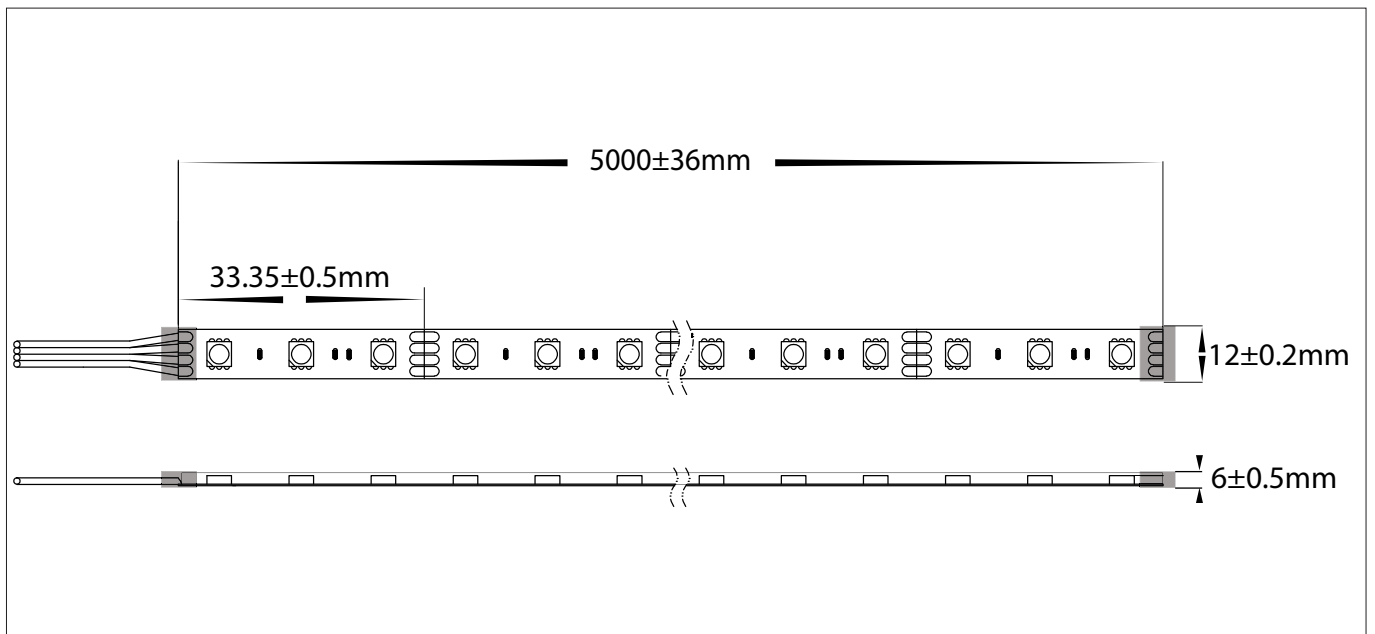
PRODUCT DATA

12W RGB IP67 LED STRIP	
LED CHIP TYPE	2835
SIZE	12MM X 6MM
PCB	3OZ
LED CHIPS / METRE	180
CUT INCREMENTS	33.35MM
COLOUR TEMP.	RGB
LUMEN OUTPUT	500LM
INPUT VOLTAGE	24V DC
WIRING	PARALLEL
MOUNTING	ALUMINIUM PROFILE OR HEAT SINK
MAXIMUM LENGTH	5000MM
REQUIREMENTS	24V DC LED DRIVER + CONTROLLER
DIMMING	0-1/10V, DALI, DMX, RF & WIFI
CRI	RA>90
BEAM ANGLE	120°
IP RATING	IP67

PRODUCT ORDERING

180 LED STRIP			
	HCP-3466350	RGB	500LM

OTHER DATA



SQUARE IP67 HAVIFLEX LED STRIP



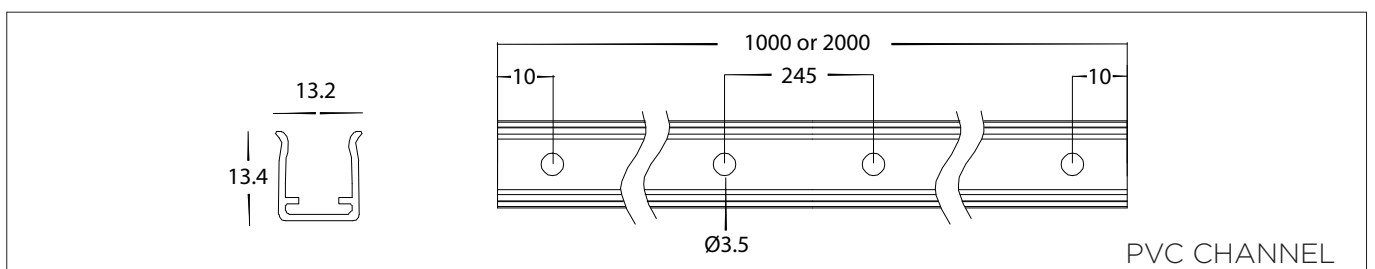
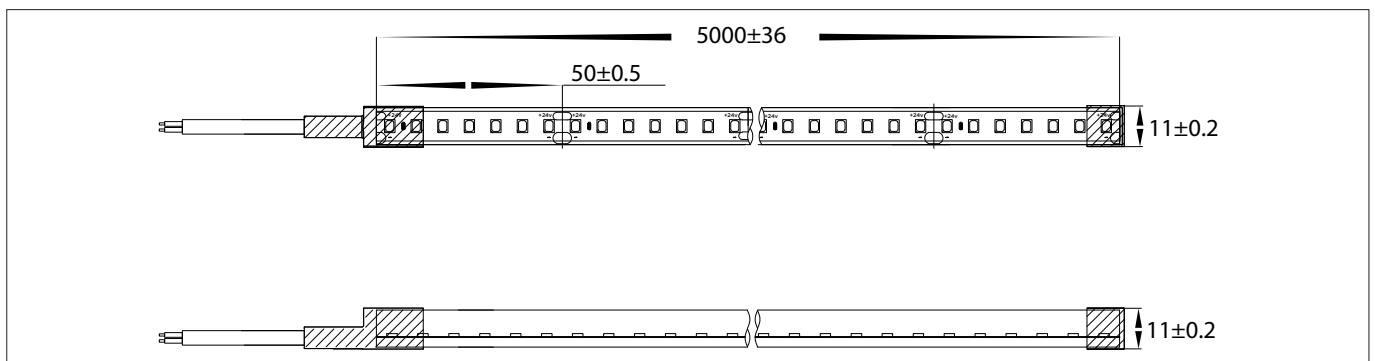
PRODUCT DATA

14.4w IP67 HAVIFLEX LED STRIP	
LED CHIP TYPE	2835
SIZE	11MM X 11MM
PCB	3OZ
LED CHIPS / METRE	140 LED
CUT INCREMENTS	EVERY 50MM
COLOUR TEMP.	3000K 4000K 5000K
LUMEN OUTPUT	765LM 768LM 823LM
INPUT VOLTAGE	24V DC
WIRING	PARALLEL
MOUNTING	MOUNTING CLIPS (4 SUPPLIED PER METRE)
MAXIMUM LENGTH	5,000MM
REQUIREMENTS	24V DC LED DRIVER
DIMMING	0-1/10V, DALI, DMX, RF
CRI	RA >90
BEAM ANGLE	120°
IP RATING	IP67

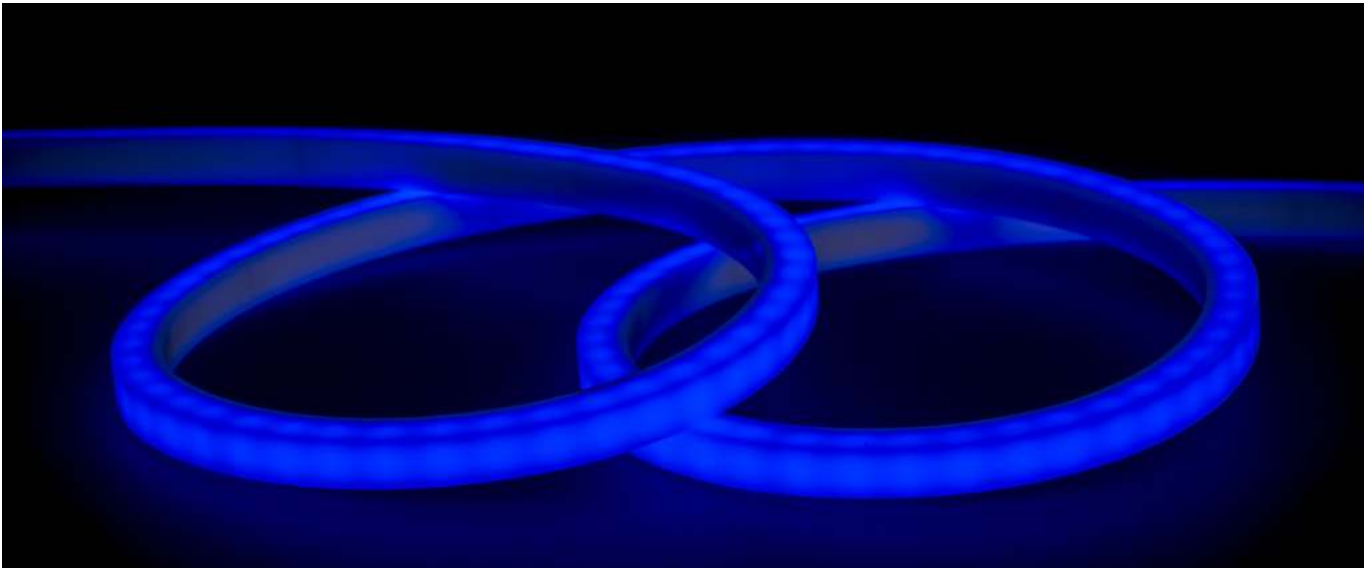
PRODUCT ORDERING

HAVIFLEX STRIP			
	HCP-3663143	3000K	765LM
	HCP-3663144	4000K	768LM
	HCP-3663145	5000K	823LM
PVC CHANNEL			
	HCP-NEON-PVCCHANNEL		1 METRE
	HCP-NEON-PVCCHANNEL-2M		2 METRE

OTHER DATA



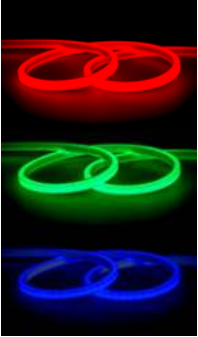

SQUARE RGB IP67 HAVIFLEX LED STRIP



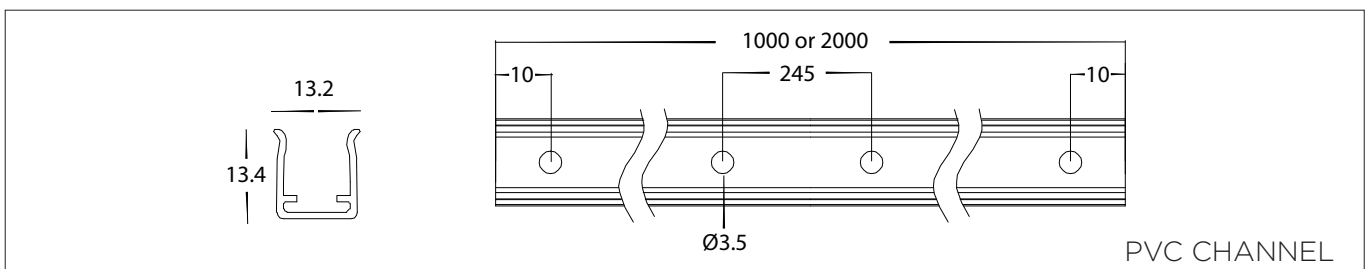
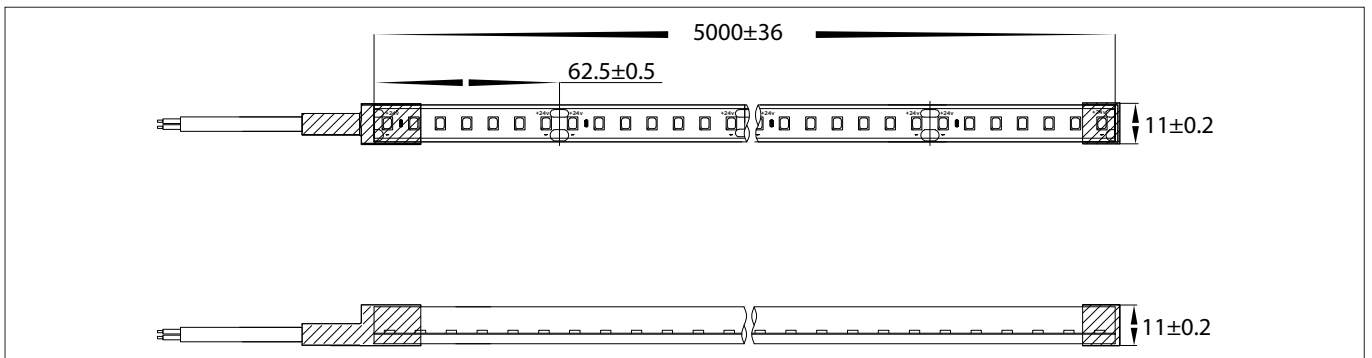
PRODUCT DATA

14.4w IP67 HAVIFLEX LED STRIP	
LED CHIP TYPE	2216
SIZE	11MM X 11MM
PCB	30Z
LED CHIPS / METRE	336 LED
CUT INCREMENTS	EVERY 62.5MM
COLOUR TEMP.	RGB
LUMEN OUTPUT	765LM
INPUT VOLTAGE	24V DC
WIRING	PARALLEL
MOUNTING	MOUNTING CLIPS (4 SUPPLIED PER METRE)
MAXIMUM LENGTH	5,000MM
REQUIREMENTS	24V DC LED + CONTROLLER
DIMMING	0-1/10V, DALI, DMX, RF
CRI	RA >90
BEAM ANGLE	120°
IP RATING	IP67

PRODUCT ORDERING

HAVIFLEX STRIP			
	HCP-3663140	RGB	765LM
PVC CHANNEL			
	HCP-NEON-PVCCHANNEL		1 METRE
	HCP-NEON-PVCCHANNEL-2M		2 METRE

OTHER DATA



CURVED IP67 HAVIFLEX LED STRIP



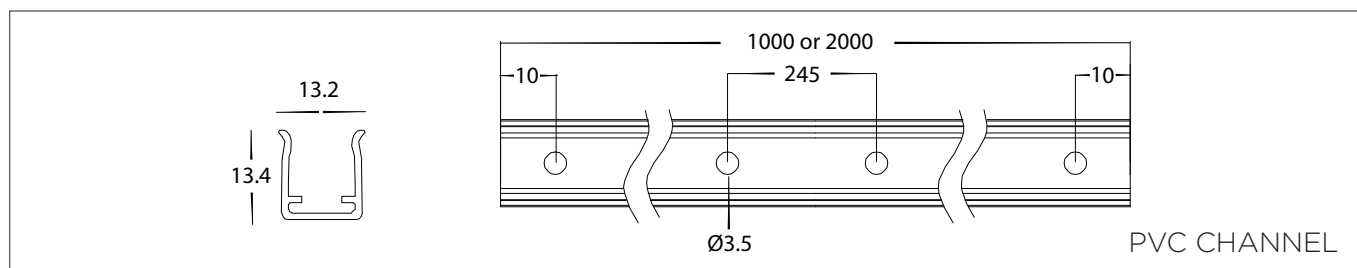
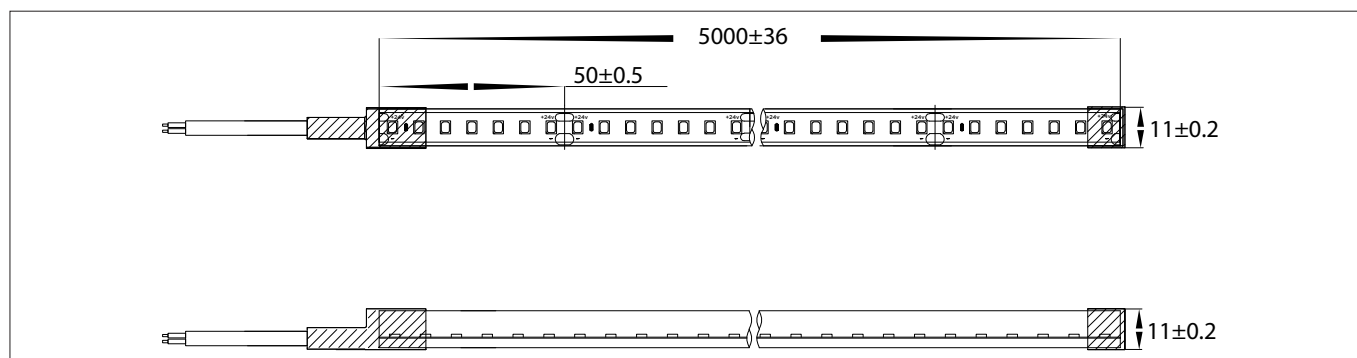
PRODUCT DATA

14.4w IP67 HAVIFLEX LED STRIP	
LED CHIP TYPE	2835
SIZE	11MM X 11MM
PCB	3OZ
LED CHIPS / METRE	140 LED
CUT INCREMENTS	EVERY 50MM
COLOUR TEMP.	3000K 4000K 5000K
LUMEN OUTPUT	765LM 768LM 823LM
INPUT VOLTAGE	24V DC
WIRING	PARALLEL
MOUNTING	MOUNTING CLIPS (4 SUPPLIED PER METRE)
MAXIMUM LENGTH	5,000MM
REQUIREMENTS	24V DC LED DRIVER
DIMMING	0-1/10V, DALI, DMX, RF
CRI	RA >90
BEAM ANGLE	120°
IP RATING	IP67

PRODUCT ORDERING

HAVIFLEX STRIP			
	HCP-3763143	3000K	765LM
	HCP-3763144	4000K	768LM
	HCP-3763145	5000K	823LM
PVC CHANNEL			
	HCP-NEON-PVCCHANNEL		1 METRE
	HCP-NEON-PVCCHANNEL-2M		2 METRE

OTHER DATA



CURVED RGB IP67 HAVIFLEX LED STRIP

12

LED STRIP



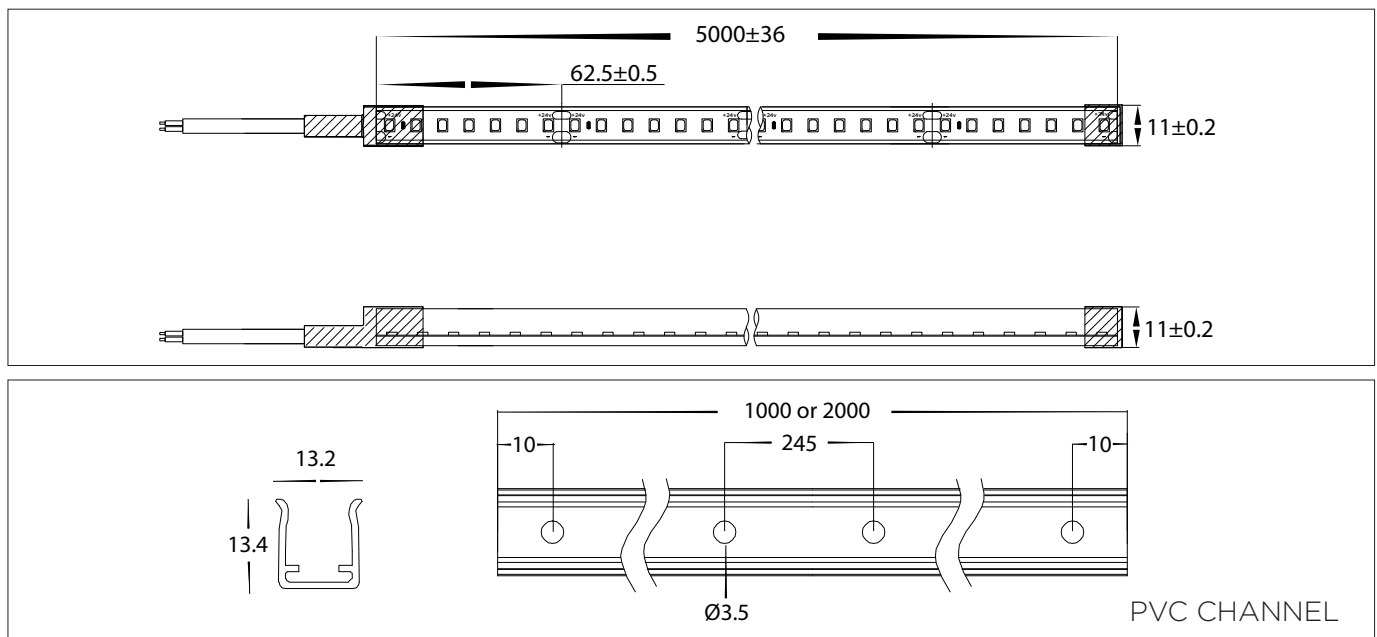
PRODUCT DATA

14.4w IP67 HAVIFLEX LED STRIP	
LED CHIP TYPE	2216
SIZE	11MM X 11MM
PCB	30Z
LED CHIPS / METRE	336 LED
CUT INCREMENTS	EVERY 62MM
COLOUR TEMP.	RGB
LUMEN OUTPUT	765LM
INPUT VOLTAGE	24V DC
WIRING	PARALLEL
MOUNTING	MOUNTING CLIPS (4 SUPPLIED PER METRE)
MAXIMUM LENGTH	5,000MM
REQUIREMENTS	24V DC LED + CONTROLLER
DIMMING	0-1/10V, DALI, DMX, RF
CRI	RA >90
BEAM ANGLE	120°
IP RATING	IP67

PRODUCT ORDERING

HAVIFLEX STRIP			
	HCP-3763140	RGB	765LM
PVC CHANNEL			
	HCP-NEON-PVCCHANNEL		1 METRE
	HCP-NEON-PVCCHANNEL-2M		2 METRE

OTHER DATA







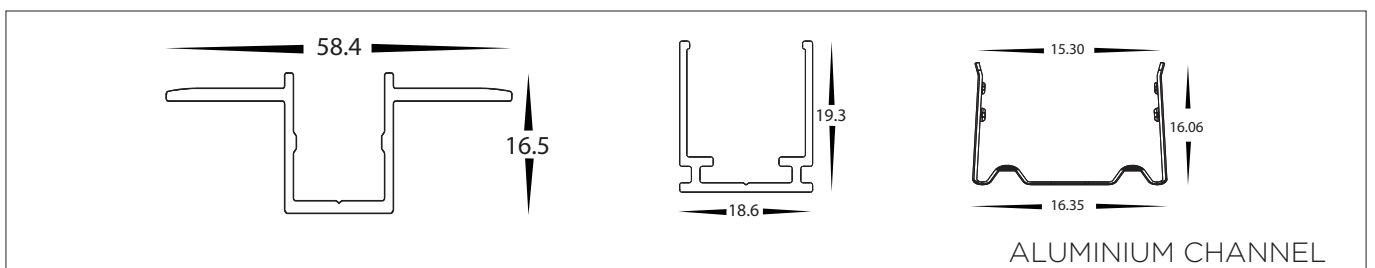
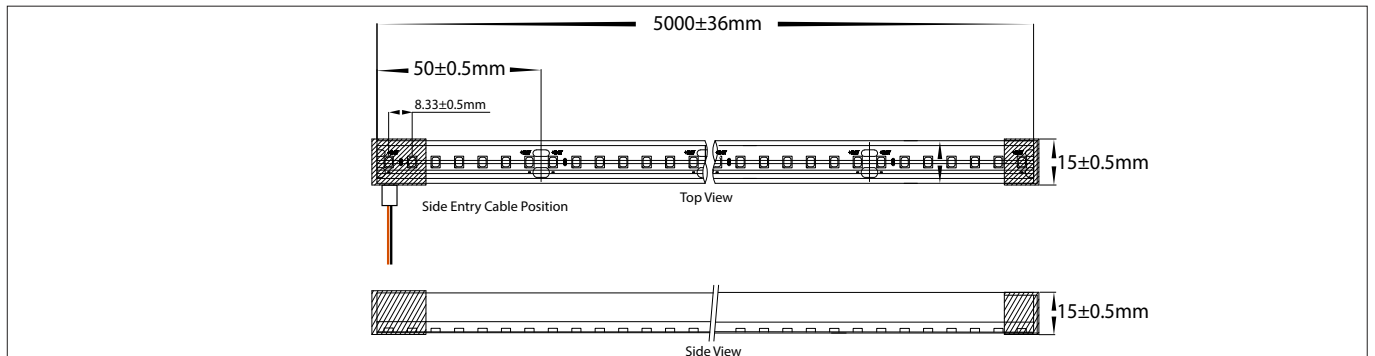
PRODUCT DATA

8W HAVIFLEX LED STRIP	
LED CHIP TYPE	2835
SIZE	15MM X 15MM
PCB	3OZ
LED CHIPS / METRE	120 LED
CUT INCREMENTS	EVERY 50MM
COLOUR TEMP	2700K 3000K 4000K 5000K
LUMEN OUTPUT	535LM 560LM 580LM 595LM
INPUT VOLTAGE	24V DC
WIRING	PARALLEL
MOUNTING	MOUNTING CLIPS OR PROFILE
MAXIMUM LENGTH	5000MM
REQUIREMENTS	24V DC LED DRIVER
DIMMING	TRIAC, 0-1/10V, DALI, DMX, RF, WIFI
CRI	RA>90
BEAM ANGLE	120°
IP RATING	IP67

PRODUCT ORDERING

HAVIFLEX STRIP			
	HCP-3764082	2700K	535LM
	HCP-3764083	3000K	560LM
	HCP-3764084	4000K	580LM
	HCP-3764085	5000K	595LM
ACCESSORIES			
	HCP-3764-AC (1000MM LENGTHS)	ALUMINIUM CHANNEL	
	HCP-3764-RAC (1000MM LENGTHS)	RECESSED ALUMINIUM CHANNEL	
	HCP-3764-MC	MOUNTING CLIPS	
	HCP-3764-BC (2x 500MM LENGTHS)	BENDABLE CHANNEL	

OTHER DATA



18W IP67 WALL WASHER LED STRIP



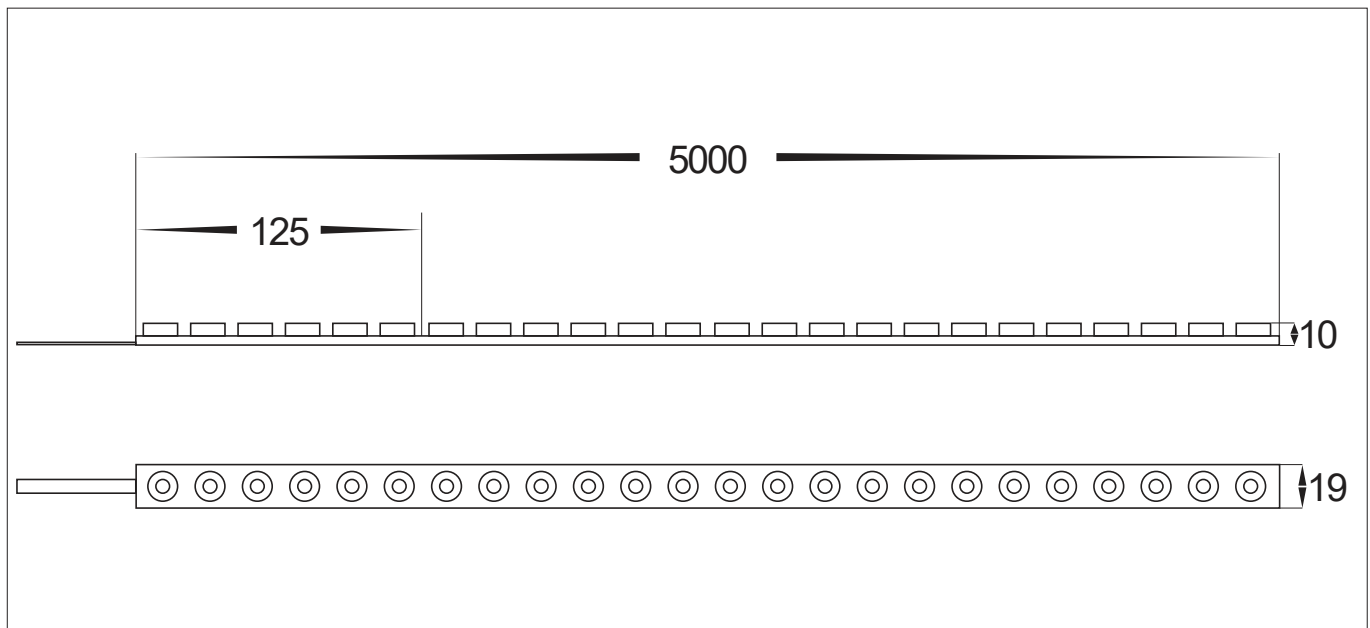
PRODUCT DATA

18W IP67 WALL WASHER LED STRIP	
LED CHIP TYPE	2835
SIZE	19MM X 10MM
PCB	3OZ
LED CHIPS / METRE	48 LED
CUT INCREMENTS	EVERY 125MM
COLOUR TEMP	2700K 3000K 4000K 6500K
LUMEN OUTPUT	1265LM 1385LM 1430LM 1459LM
INPUT VOLTAGE	24V DC
WIRING	PARALLEL
MOUNTING	ALUMINIUM HEAT SINK
MAXIMUM LENGTH	5000MM
REQUIREMENTS	24V DC LED DRIVER
DIMMING	TRIAC, 0-1/10V, DALI, DMX, RF, WIFI
CRI	RA>90
BEAM ANGLE	45°
IP RATING	IP67

PRODUCT ORDERING

48LED WALL WASHER LED STRIP			
	HCP-3564182	2700K	1265LM
	HCP-3564183	3000K	1385LM
	HCP-3564184	4000K	1430LM
	HCP-3564186	6500K	1459LM

OTHER DATA



8W IP67 WALL WASHER LED STRIP

12

LED STRIP



PRODUCT DATA

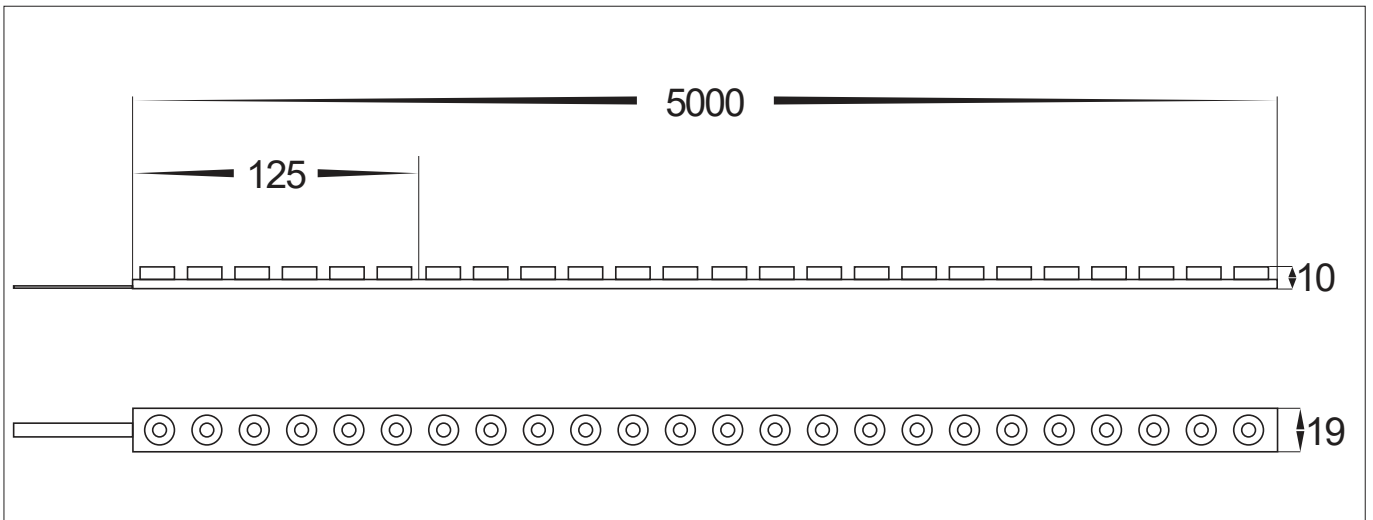
8W IP67 WALL WASHER LED STRIP	
LED CHIP TYPE	5050
SIZE	19MM X 10MM
PCB	3OZ
LED CHIPS / METRE	48 LED
CUT INCREMENTS	EVERY 125MM
COLOUR TEMP	RGBC RGBW
LUMEN OUTPUT	318LM 324LM
INPUT VOLTAGE	24V DC
WIRING	PARALLEL
MOUNTING	ALUMINIUM HEAT SINK
MAXIMUM LENGTH	5000MM
REQUIREMENTS	24V DC LED DRIVER + CONTROLLER
DIMMING	0-1/10V, DALI, DMX, RF, WIFI
CRI	RA>90
BEAM ANGLE	45°
IP RATING	IP67

PRODUCT ORDERING

48LED WALL WASHER LED STRIP			
	HCP-3564080	RGBC (RGB + 6500K)	318LM
	HCP-3564081	RGBW (RGB + 3000K)	324LM



OTHER DATA











5W IP65 240V LED STRIP



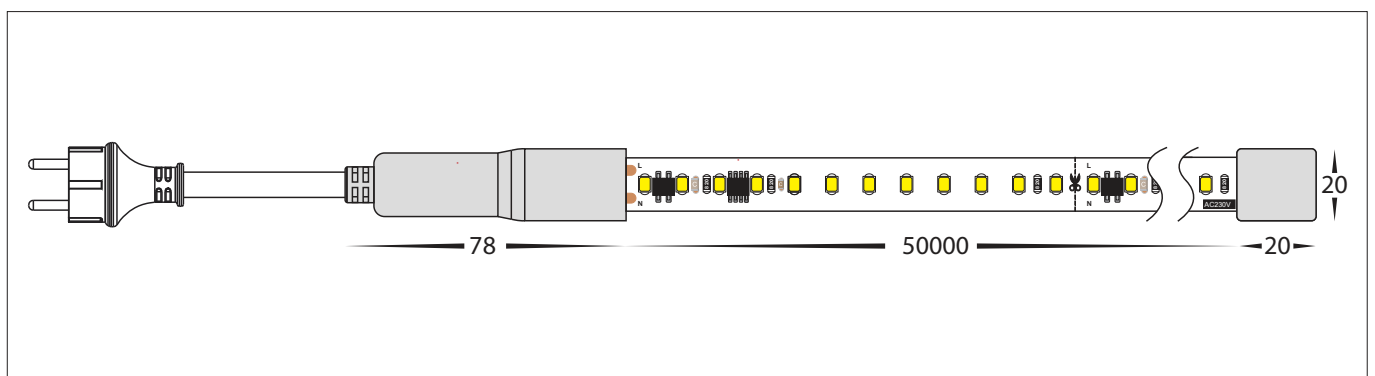
PRODUCT DATA

5W IP65 240V LED STRIP	
LED CHIP TYPE	2835
SIZE	20MM X 11MM
PCB	3OZ
LED CHIPS / METRE	240
CUT INCREMENTS	100MM
COLOUR TEMP.	3000K 4000K 6000K
LUMEN OUTPUT	480LM 490LM 500LM
INPUT VOLTAGE	240V AC
MOUNTING	MOUNTING CLIPS OR PC CHANNEL
MAXIMUM LENGTH	50000MM
DIMMING	TRIAC
CRI	RA>90
BEAM ANGLE	120°
IP RATING	IP65

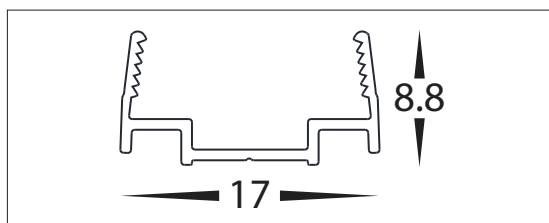
PRODUCT ORDERING

240 LED STRIP			
	HCP-3865053	3000K	480LM
	HCP-3865054	4000K	490LM
	HCP-3865056	6000K	500LM
ACCESSORIES			
	HCP-3865-CHANNEL	CHANNEL TO SUIT 1000MM LENGTHS ONLY	
	HCP-3865-SJ	STRAIGHT JOINER	
	HCP-3865-LC	L SHAPE CONNECTOR	
	HCP-3865-JC	JOINING CABLE - CABLE LENGTH 150MM	
	HCP-3865-PC	POWER CONNECTOR	

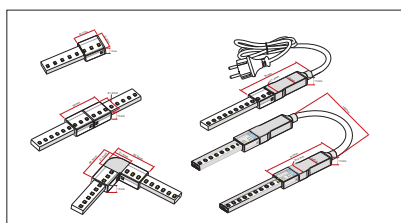
OTHER DATA



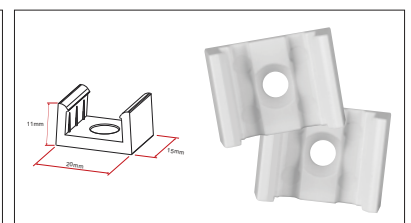
PC CHANNEL



CONNECTORS AND CABLE



MOUNTING CLIPS





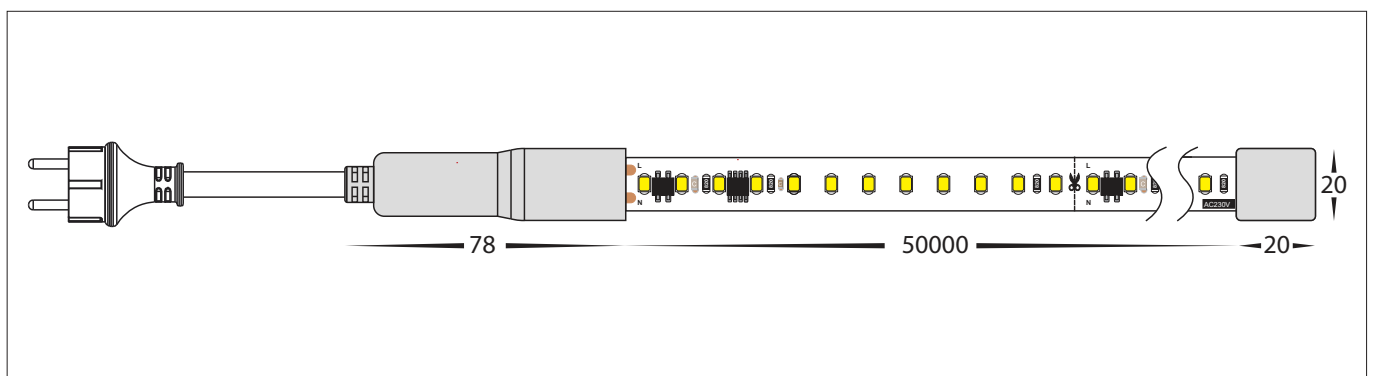
PRODUCT DATA

12W IP65 240V LED STRIP	
LED CHIP TYPE	2835
SIZE	20MM X 11MM
PCB	3OZ
LED CHIPS / METRE	240
CUT INCREMENTS	100MM
COLOUR TEMP.	3000K 4000K 6000K
LUMEN OUTPUT	1000LM 1290LM 1160LM
INPUT VOLTAGE	240V AC
MOUNTING	MOUNTING CLIPS OR PC CHANNEL
MAXIMUM LENGTH	50000MM
DIMMING	TRIAC
CRI	RA>90
BEAM ANGLE	150°
IP RATING	IP65

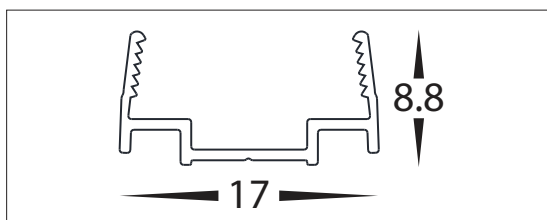
PRODUCT ORDERING

240 LED STRIP			
	HCP-3865123	3000K	1000LM
	HCP-3865124	4000K	1290LM
	HCP-3865126	6000K	1160LM
ACCESSORIES			
	HCP-3865-CHANNEL	CHANNEL TO SUIT 1000MM LENGTHS ONLY	
	HCP-3865-SJ	STRAIGHT JOINER	
	HCP-3865-LC	L SHAPE CONNECTOR	
	HCP-3865-JC	JOINING CABLE - CABLE LENGTH 150MM	
	HCP-3865-PC	POWER CONNECTOR	

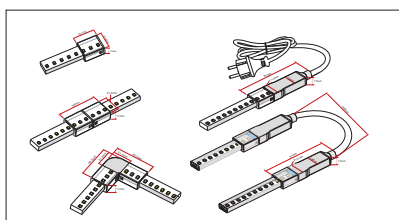
OTHER DATA



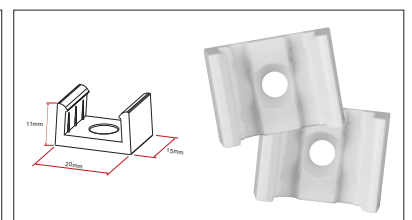
PC CHANNEL



CONNECTORS AND CABLE



MOUNTING CLIPS



4.8W CSP IP20 LED STRIP



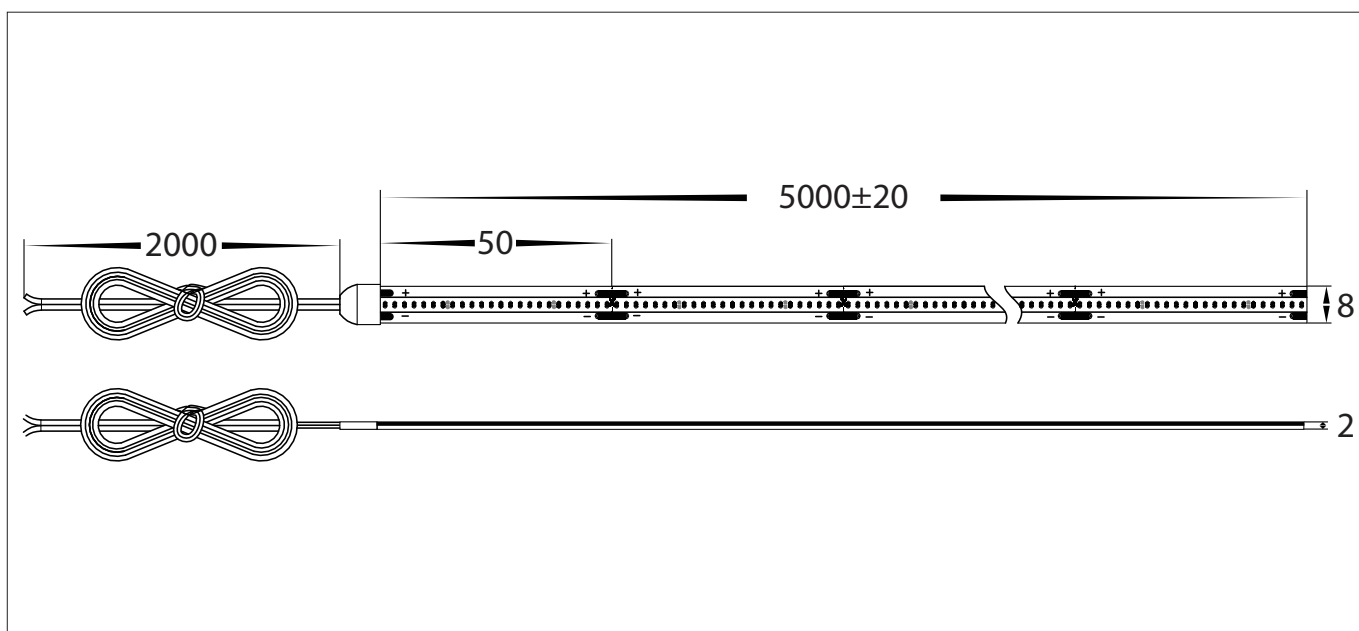
PRODUCT DATA

4.8W CSP IP20 LED STRIP	
LED CHIP TYPE	CSP
SIZE	8MM X 2MM
PCB	3OZ
LED CHIPS / METRE	480
CUT INCREMENTS	50MM
COLOUR TEMP.	2700K 3000K 4000K 5000K
LUMEN OUTPUT	360LM 380LM 382LM 363LM
INPUT VOLTAGE	24V DC
WIRING	PARALLEL
MOUNTING	ALUMINIUM PROFILE OR HEAT SINK
MAXIMUM LENGTH	5000MM
REQUIREMENTS	24V DC LED DRIVER
DIMMING	0-1/10V, DALI, DMX, RF & WIFI
CRI	RA>90
BEAM ANGLE	120°
IP RATING	IP20

PRODUCT ORDERING

480 LED STRIP			
	HCP-3925482	2700K	360LM
	HCP-3925483	3000K	380LM
	HCP-3925484	4000K	382LM
	HCP-3925485	5000K	363LM

OTHER DATA









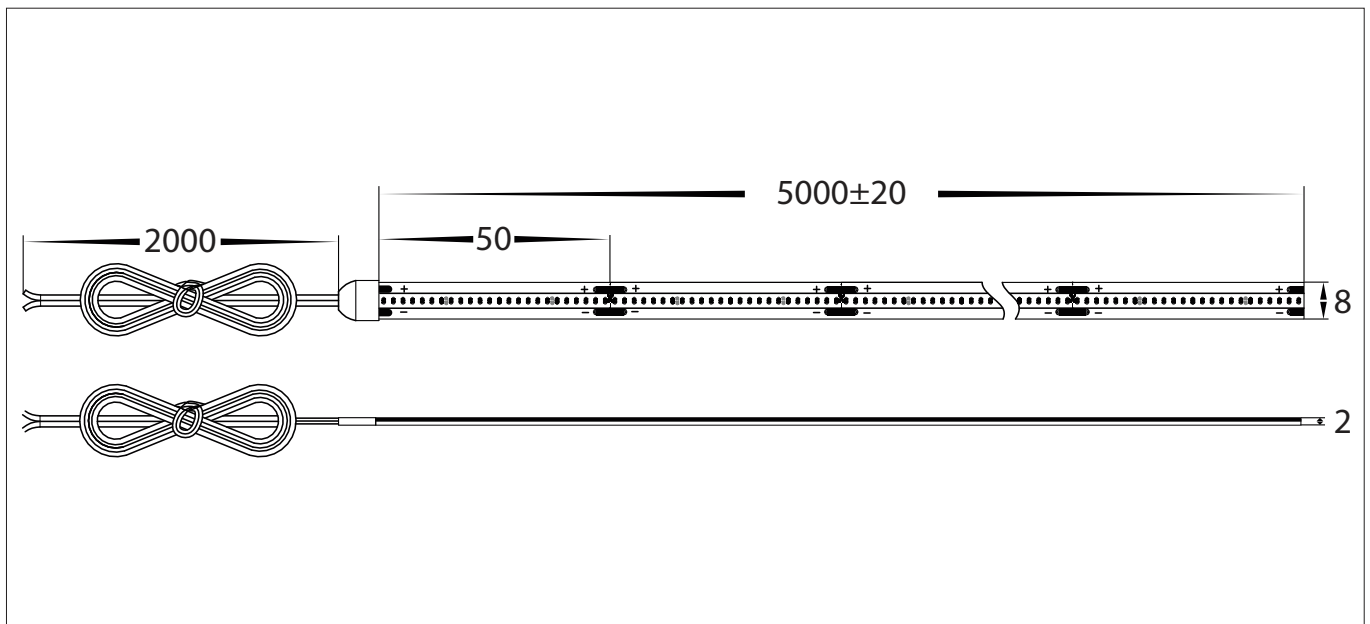
PRODUCT DATA

9.6W CSP IP20 LED STRIP	
LED CHIP TYPE	CSP
SIZE	8MM X 2MM
PCB	3OZ
LED CHIPS / METRE	480
CUT INCREMENTS	50MM
COLOUR TEMP.	2700K 3000K 4000K 5000K
LUMEN OUTPUT	635LM 644LM 679LM 641LM
INPUT VOLTAGE	24V DC
WIRING	PARALLEL
MOUNTING	ALUMINIUM PROFILE OR HEAT SINK
MAXIMUM LENGTH	5000MM
REQUIREMENTS	24V DC LED DRIVER
DIMMING	0-1/10V, DALI, DMX, RF & WIFI
CRI	RA>90
BEAM ANGLE	120°
IP RATING	IP20

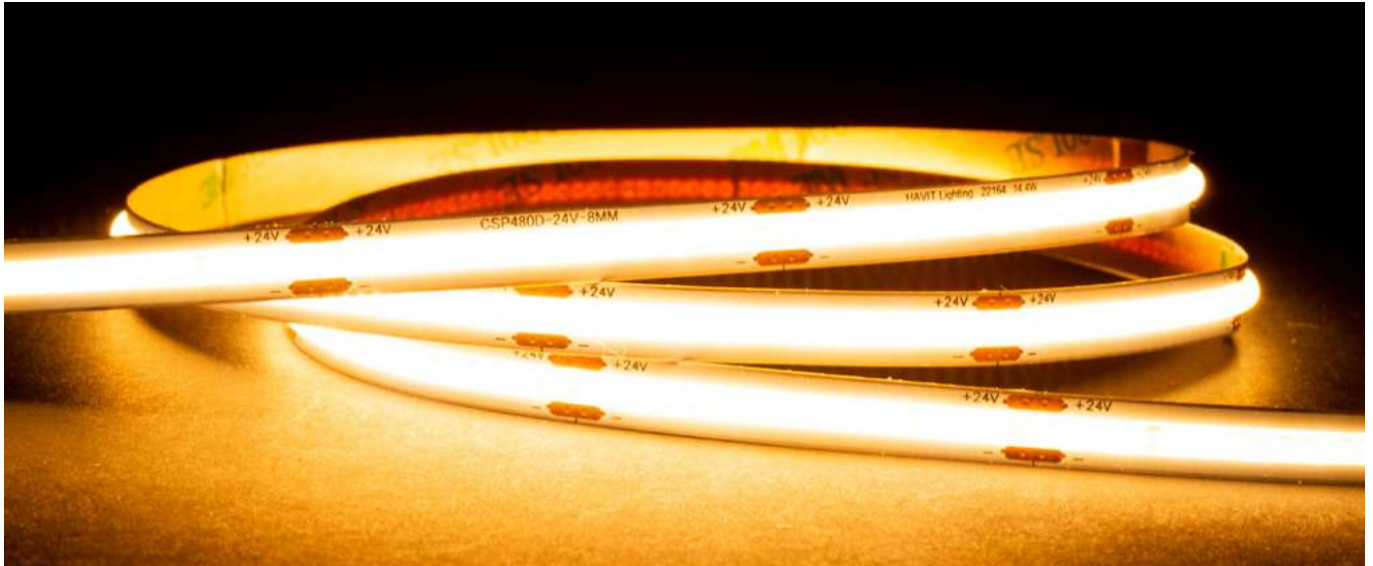
PRODUCT ORDERING

480 LED STRIP			
	HCP-3925962	2700K	635LM
	HCP-3925963	3000K	644LM
	HCP-3925964	4000K	679LM
	HCP-3925965	5000K	641LM

OTHER DATA



14.4W CSP IP20 LED STRIP



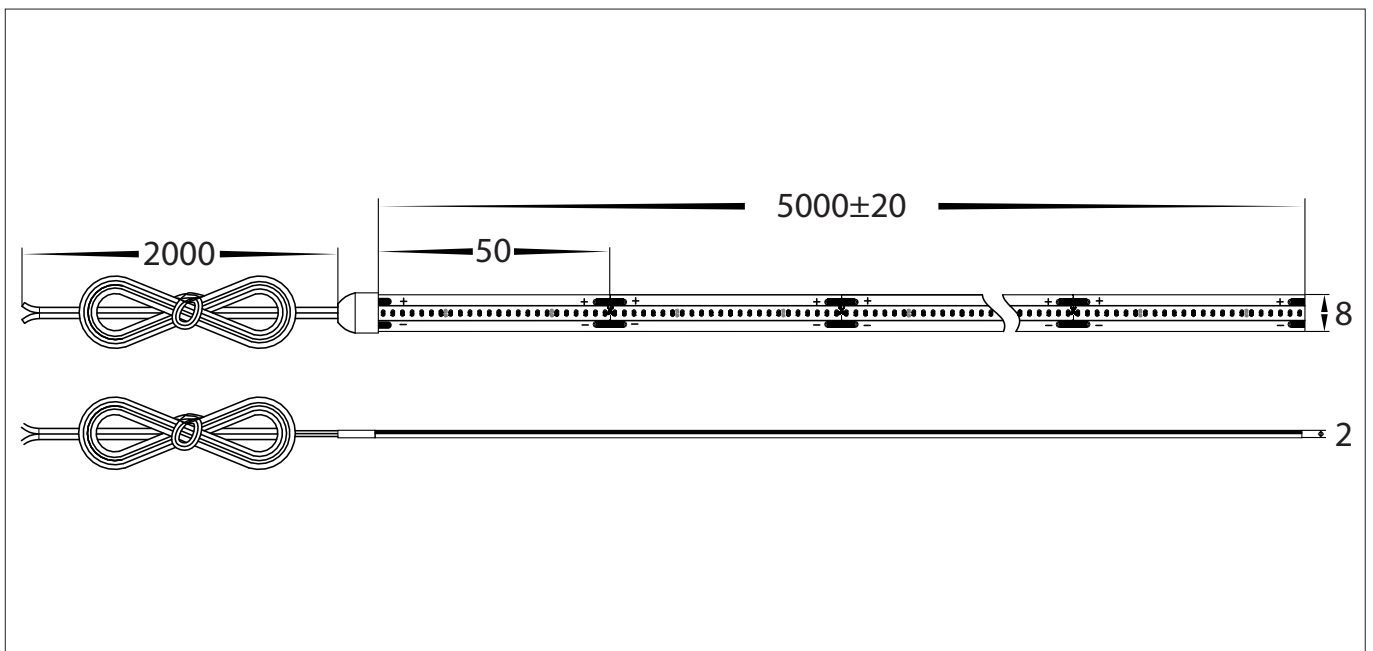
PRODUCT DATA

14.4W CSP IP20 LED STRIP	
LED CHIP TYPE	CSP
SIZE	8MM X 2MM
PCB	3OZ
LED CHIPS / METRE	480
CUT INCREMENTS	50MM
COLOUR TEMP.	2700K 3000K 4000K 5000K
LUMEN OUTPUT	920LM 924LM 900LM 930LM
INPUT VOLTAGE	24V DC
WIRING	PARALLEL
MOUNTING	ALUMINIUM PROFILE OR HEAT SINK
MAXIMUM LENGTH	5000MM
REQUIREMENTS	24V DC LED DRIVER
DIMMING	0-1/10V, DALI, DMX, RF & WIFI
CRI	RA>90
BEAM ANGLE	120°
IP RATING	IP20

PRODUCT ORDERING

480 LED STRIP			
	HCP-3925142	2700K	920LM
	HCP-3925143	3000K	924LM
	HCP-3925144	4000K	900LM
	HCP-3925145	5000K	930LM

OTHER DATA





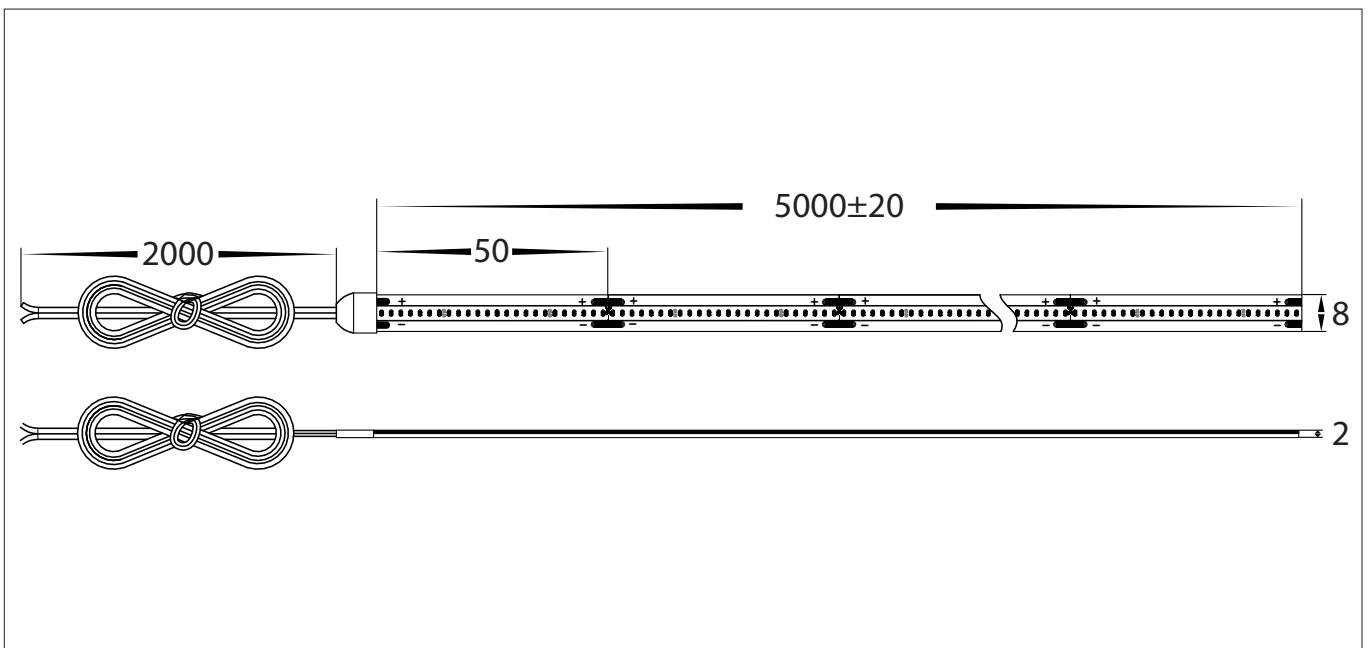
PRODUCT DATA

19.2W CSP IP20 LED STRIP	
LED CHIP TYPE	CSP
SIZE	8MM X 2MM
PCB	3OZ
LED CHIPS / METRE	480
CUT INCREMENTS	50MM
COLOUR TEMP.	2700K 3000K 4000K 5000K
LUMEN OUTPUT	1140LM 1152LM 1155LM 1090LM
INPUT VOLTAGE	24V DC
WIRING	PARALLEL
MOUNTING	ALUMINIUM PROFILE OR HEAT SINK
MAXIMUM LENGTH	5000MM
REQUIREMENTS	24V DC LED DRIVER
DIMMING	0-1/10V, DALI, DMX, RF & WIFI
CRI	RA>90
BEAM ANGLE	120°
IP RATING	IP20

PRODUCT ORDERING

480 LED STRIP			
	HCP-3925192	2700K	1140LM
	HCP-3925193	3000K	1152LM
	HCP-3925194	4000K	1155LM
	HCP-3925195	5000K	1090LM

OTHER DATA



4.8W CSP IP54 LED STRIP



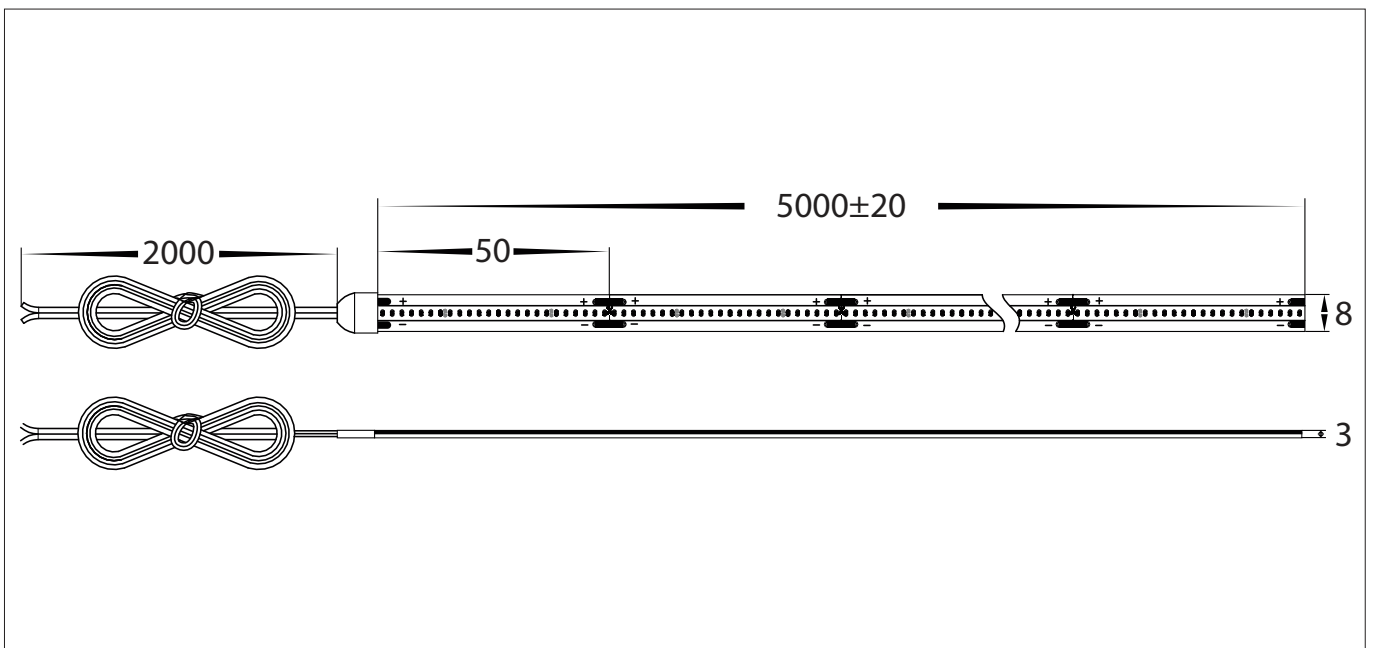
PRODUCT DATA

4.8W CSP IP54 LED STRIP	
LED CHIP TYPE	CSP
SIZE	8MM X 3MM
PCB	3OZ
LED CHIPS / METRE	480
CUT INCREMENTS	50MM
COLOUR TEMP.	2700K 3000K 4000K 5000K
LUMEN OUTPUT	360LM 389LM 380LM 400LM
INPUT VOLTAGE	24V DC
WIRING	PARALLEL
MOUNTING	ALUMINIUM PROFILE OR HEAT SINK
MAXIMUM LENGTH	5000MM
REQUIREMENTS	24V DC LED DRIVER
DIMMING	0-1/10V, DALI, DMX, RF & WIFI
CRI	RA>90
BEAM ANGLE	120°
IP RATING	IP54

PRODUCT ORDERING

480 LED STRIP			
	HCP-3955482	2700K	360LM
	HCP-3955483	3000K	389LM
	HCP-3955484	4000K	380LM
	HCP-3955485	5000K	400LM

OTHER DATA





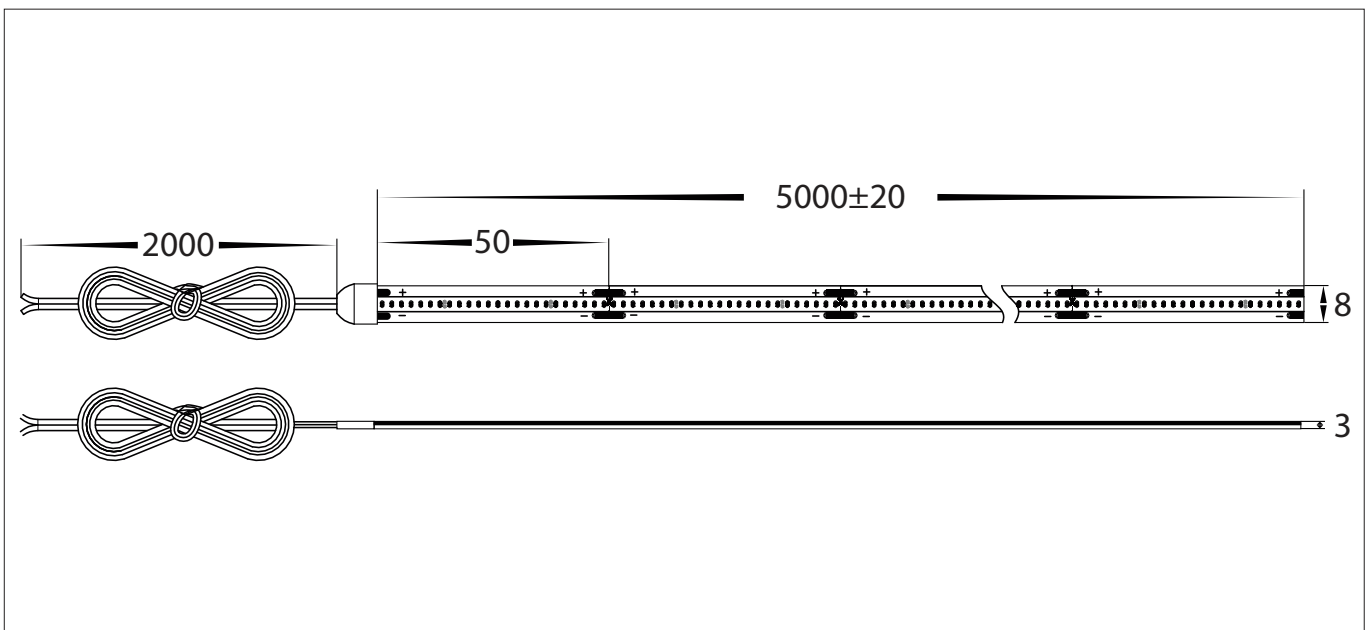
PRODUCT DATA

9.6W CSP IP54 LED STRIP	
LED CHIP TYPE	CSP
SIZE	8MM X 3MM
PCB	3OZ
LED CHIPS / METRE	480
CUT INCREMENTS	50MM
COLOUR TEMP.	2700K 3000K 4000K 5000K
LUMEN OUTPUT	770LM 776LM 798LM 673LM
INPUT VOLTAGE	24V DC
WIRING	PARALLEL
MOUNTING	ALUMINIUM PROFILE OR HEAT SINK
MAXIMUM LENGTH	5000MM
REQUIREMENTS	24V DC LED DRIVER
DIMMING	0-1/10V, DALI, DMX, RF & WIFI
CRI	RA>90
BEAM ANGLE	120°
IP RATING	IP54

PRODUCT ORDERING

480 LED STRIP			
	HCP-3955962	2700K	770LM
	HCP-3955963	3000K	776LM
	HCP-3955964	4000K	798LM
	HCP-3955965	5000K	673LM

OTHER DATA



14.4W CSP IP54 LED STRIP



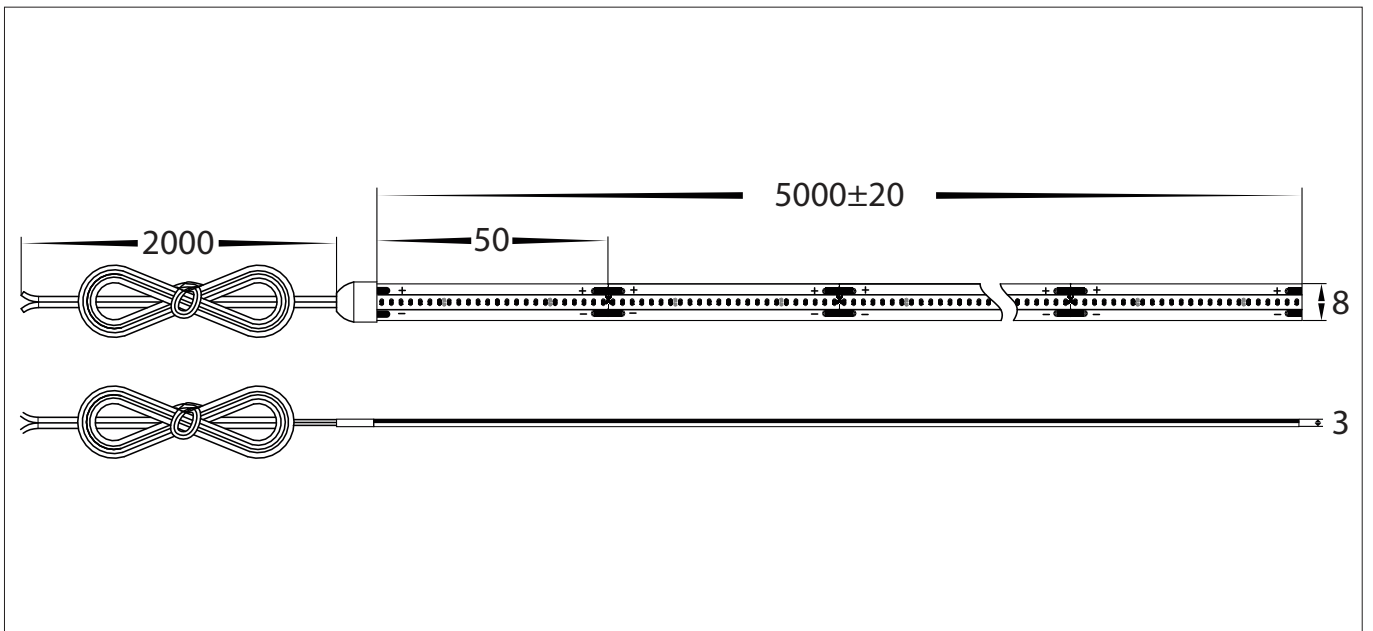
PRODUCT DATA

14.4W CSP IP54 LED STRIP	
LED CHIP TYPE	CSP
SIZE	8MM X 3MM
PCB	3OZ
LED CHIPS / METRE	480
CUT INCREMENTS	50MM
COLOUR TEMP.	2700K 3000K 4000K 5000K
LUMEN OUTPUT	1025LM 1037LM 960LM 990LM
INPUT VOLTAGE	24V DC
WIRING	PARALLEL
MOUNTING	ALUMINIUM PROFILE OR HEAT SINK
MAXIMUM LENGTH	5000MM
REQUIREMENTS	24V DC LED DRIVER
DIMMING	0-1/10V, DALI, DMX, RF & WIFI
CRI	RA>90
BEAM ANGLE	120°
IP RATING	IP54

PRODUCT ORDERING

480 LED STRIP			
	HCP-3955142	2700K	1025LM
	HCP-3955143	3000K	1037LM
	HCP-3955144	4000K	960LM
	HCP-3955145	5000K	990LM

OTHER DATA





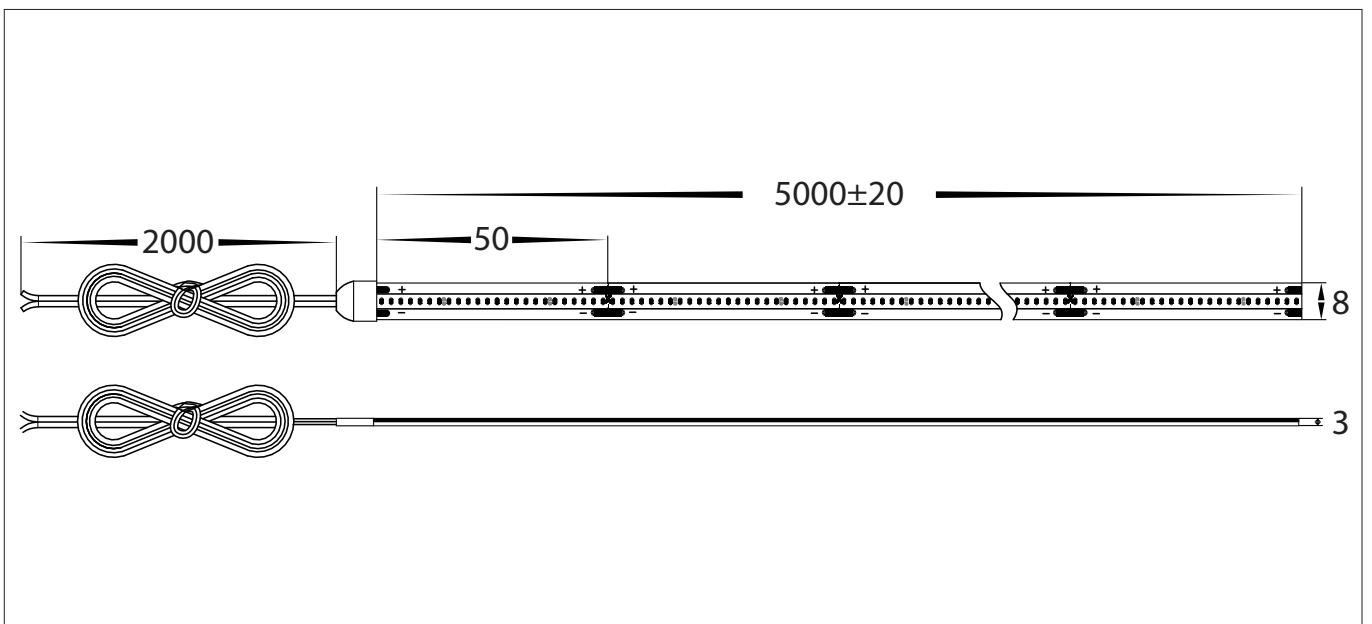
PRODUCT DATA

19.2W CSP IP54 LED STRIP	
LED CHIP TYPE	CSP
SIZE	8MM X 3MM
PCB	3OZ
LED CHIPS / METRE	480
CUT INCREMENTS	50MM
COLOUR TEMP.	2700K 3000K 4000K 5000K
LUMEN OUTPUT	1185LM 1191LM 1298LM 1277LM
INPUT VOLTAGE	24V DC
WIRING	PARALLEL
MOUNTING	ALUMINIUM PROFILE OR HEAT SINK
MAXIMUM LENGTH	5000MM
REQUIREMENTS	24V DC LED DRIVER
DIMMING	0-1/10V, DALI, DMX, RF & WIFI
CRI	RA>90
BEAM ANGLE	120°
IP RATING	IP54

PRODUCT ORDERING

480 LED STRIP			
	HCP-3955192	2700K	1185LM
	HCP-3955193	3000K	1191LM
	HCP-3955194	4000K	1298LM
	HCP-3955195	5000K	1277LM

OTHER DATA



4.8W CSP IP67 LED STRIP



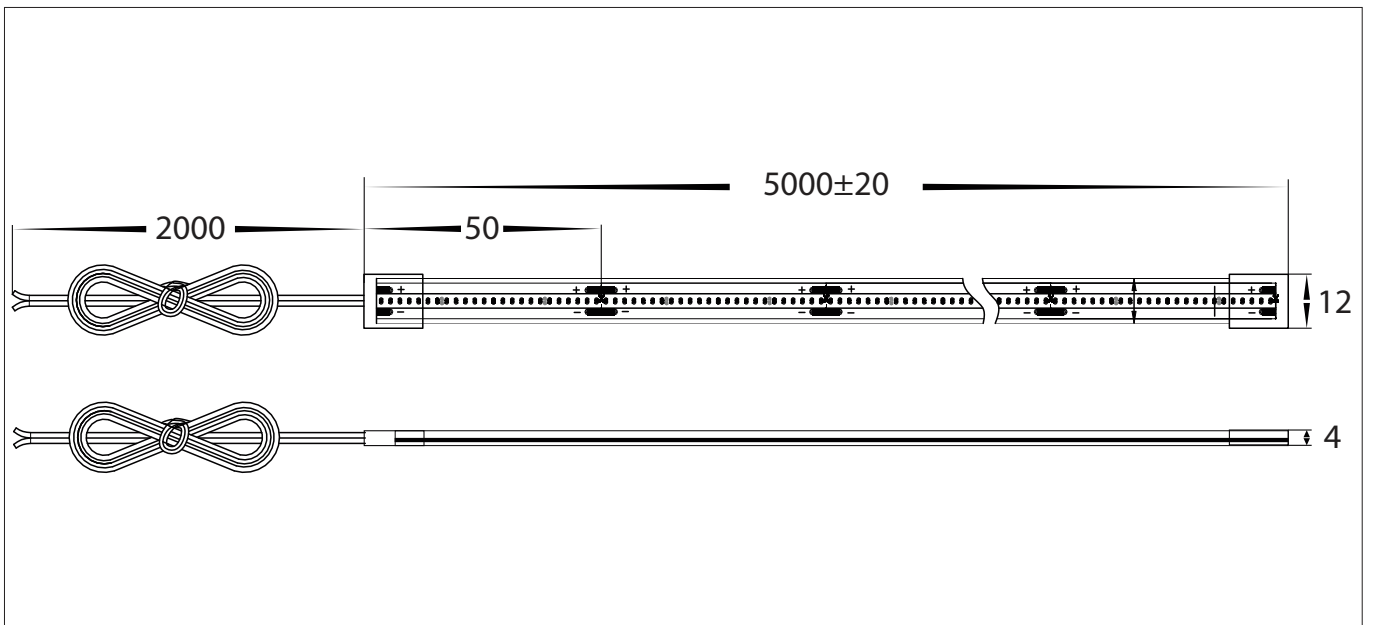
PRODUCT DATA

4.8W CSP IP67 LED STRIP	
LED CHIP TYPE	CSP
SIZE	12MM X 4MM
PCB	3OZ
LED CHIPS / METRE	480
CUT INCREMENTS	50MM
COLOUR TEMP.	2700K 3000K 4000K 5000K
LUMEN OUTPUT	355LM 375LM 365LM 365LM
INPUT VOLTAGE	24V DC
WIRING	PARALLEL
MOUNTING	ALUMINIUM PROFILE OR HEAT SINK
MAXIMUM LENGTH	5000MM
REQUIREMENTS	24V DC LED DRIVER
DIMMING	0-1/10V, DALI, DMX, RF & WIFI
CRI	RA>90
BEAM ANGLE	120°
IP RATING	IP67

PRODUCT ORDERING

480 LED STRIP			
	HCP-3965482	2700K	355LM
	HCP-3965483	3000K	375LM
	HCP-3965484	4000K	365LM
	HCP-3965485	5000K	365LM

OTHER DATA





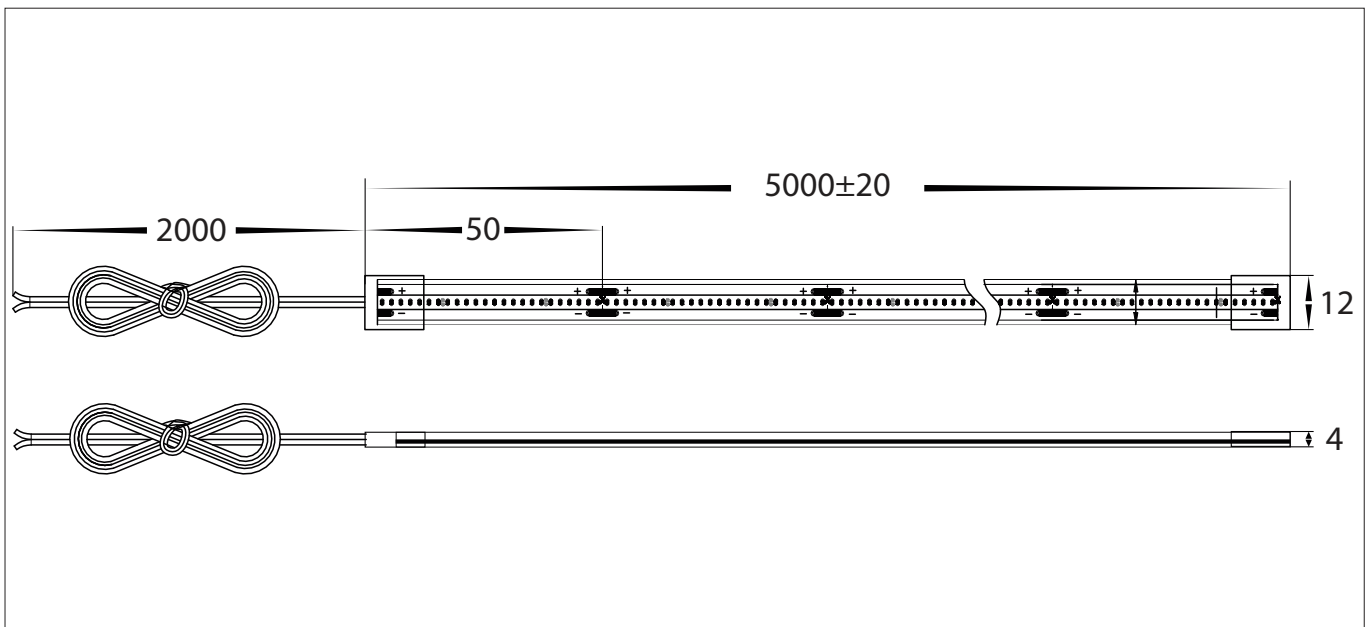
PRODUCT DATA

9.6W CSP IP67 LED STRIP	
LED CHIP TYPE	CSP
SIZE	12MM X 4MM
PCB	3OZ
LED CHIPS / METRE	480
CUT INCREMENTS	50MM
COLOUR TEMP.	2700K 3000K 4000K 5000K
LUMEN OUTPUT	662LM 674LM 742LM 740LM
INPUT VOLTAGE	24V DC
WIRING	PARALLEL
MOUNTING	ALUMINIUM PROFILE OR HEAT SINK
MAXIMUM LENGTH	5000MM
REQUIREMENTS	24V DC LED DRIVER
DIMMING	0-1/10V, DALI, DMX, RF & WIFI
CRI	RA>90
BEAM ANGLE	120°
IP RATING	IP67

PRODUCT ORDERING

480 LED STRIP			
	HCP-3965962	2700K	662LM
	HCP-3965963	3000K	674LM
	HCP-3965964	4000K	742LM
	HCP-3965965	5000K	740LM

OTHER DATA



14.4W CSP IP67 LED STRIP



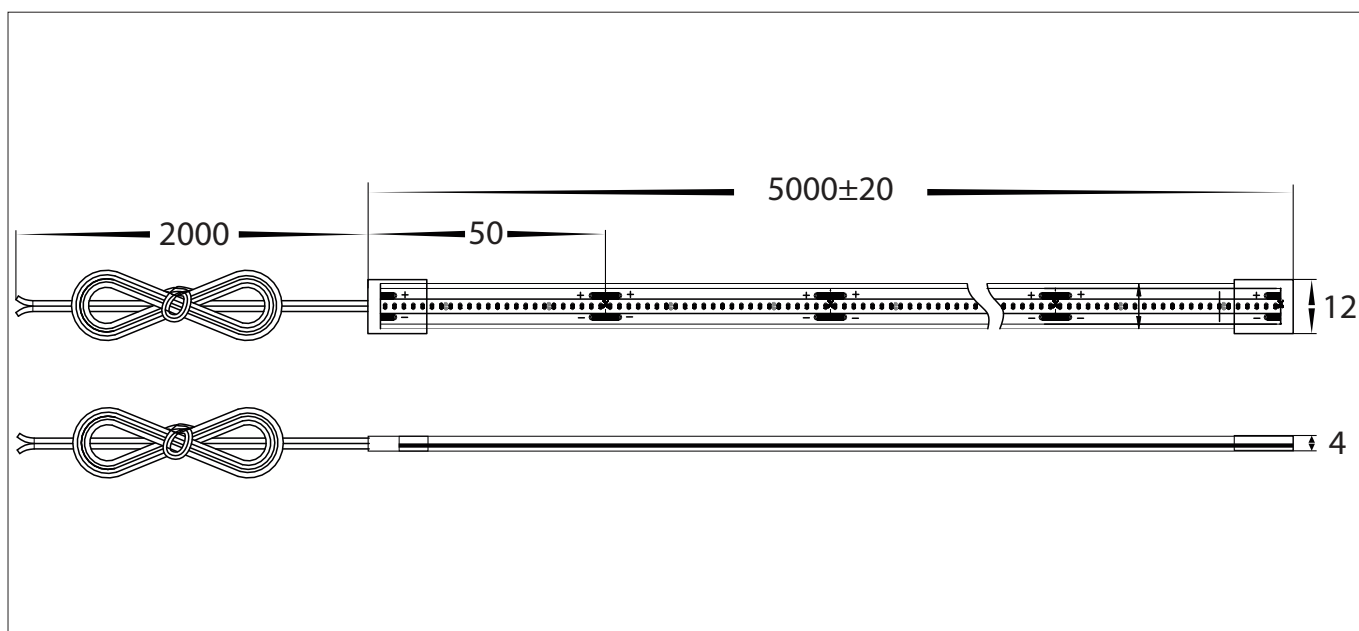
PRODUCT DATA

14.4W CSP IP67 LED STRIP	
LED CHIP TYPE	CSP
SIZE	12MM X 4MM
PCB	3OZ
LED CHIPS / METRE	480
CUT INCREMENTS	50MM
COLOUR TEMP.	2700K 3000K 4000K 5000K
LUMEN OUTPUT	1055LM 1076LM 1074LM 974LM
INPUT VOLTAGE	24V DC
WIRING	PARALLEL
MOUNTING	ALUMINIUM PROFILE OR HEAT SINK
MAXIMUM LENGTH	5000MM
REQUIREMENTS	24V DC LED DRIVER
DIMMING	0-1/10V, DALI, DMX, RF & WIFI
CRI	RA>90
BEAM ANGLE	120°
IP RATING	IP67

PRODUCT ORDERING

480 LED STRIP			
	HCP-3965142	2700K	1055LM
	HCP-3965143	3000K	1076LM
	HCP-3965144	4000K	1074LM
	HCP-3965145	5000K	974LM

OTHER DATA





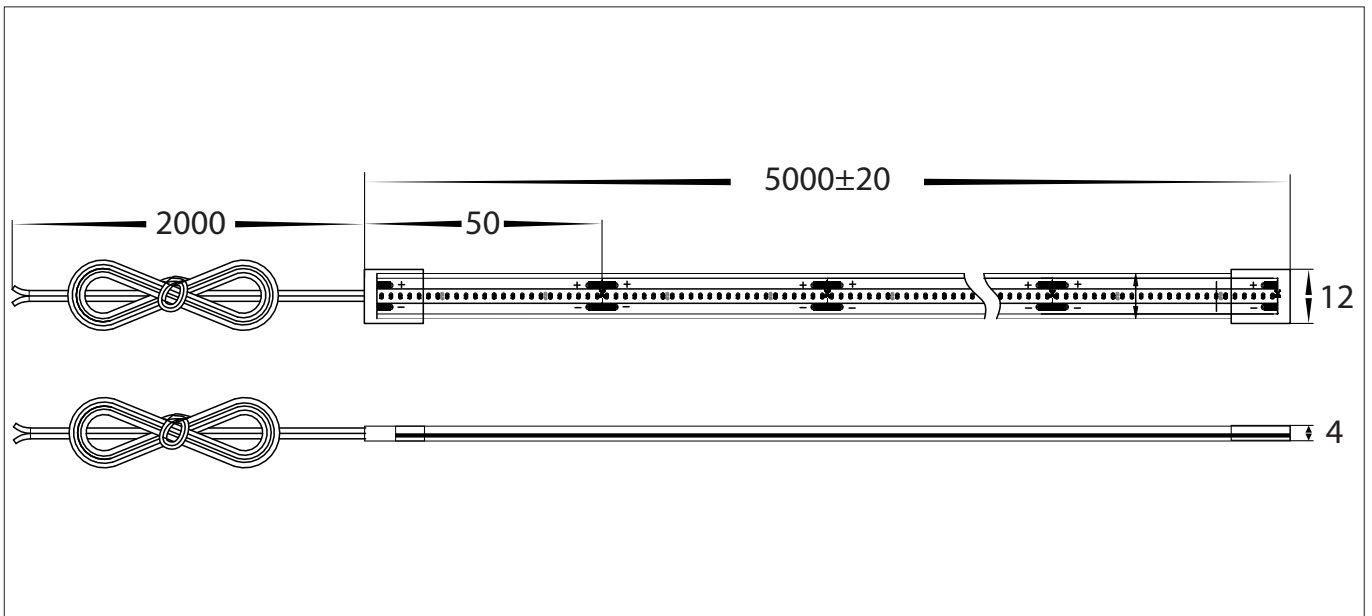
PRODUCT DATA

19.2W CSP IP67 LED STRIP	
LED CHIP TYPE	CSP
SIZE	12MM X 4MM
PCB	3OZ
LED CHIPS / METRE	480
CUT INCREMENTS	50MM
COLOUR TEMP.	2700K 3000K 4000K 5000K
LUMEN OUTPUT	1327LM 1342LM 1303LM 1200LM
INPUT VOLTAGE	24V DC
WIRING	PARALLEL
MOUNTING	ALUMINIUM PROFILE OR HEAT SINK
MAXIMUM LENGTH	5000MM
REQUIREMENTS	24V DC LED DRIVER
DIMMING	0-1/10V, DALI, DMX, RF & WIFI
CRI	RA>90
BEAM ANGLE	120°
IP RATING	IP67

PRODUCT ORDERING

480 LED STRIP			
	HCP-3965192	2700K	1327LM
	HCP-3965193	3000K	1342LM
	HCP-3965194	4000K	1303LM
	HCP-3965195	5000K	1200LM

OTHER DATA







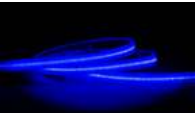
9.6W CSP COLOURED LED STRIP



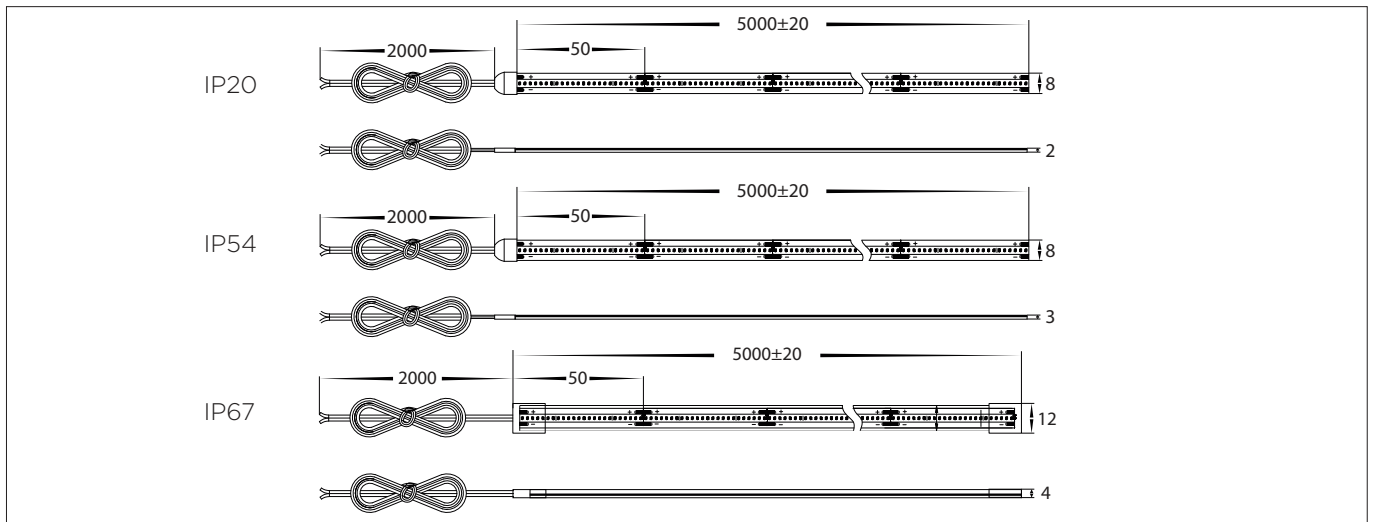
PRODUCT DATA

9.6W CSP COLOURED LED STRIP	
LED CHIP TYPE	CSP
SIZE	8MM X 2MM 8MM X 3MM 12MM X 4MM
PCB	3OZ
LED CHIPS / METRE	480
CUT INCREMENTS	50MM
COLOUR TEMP.	RED GREEN BLUE
LUMEN OUTPUT	158LM 184LM 141LM
INPUT VOLTAGE	24V DC
WIRING	PARALLEL
MOUNTING	ALUMINIUM PROFILE OR HEAT SINK
MAXIMUM LENGTH	5000MM
REQUIREMENTS	24V DC LED DRIVER
DIMMING	0-1/10V, DALI, DMX, RF & WIFI
CRI	RA>90
BEAM ANGLE	120°
IP RATING	IP20 IP54 IP67

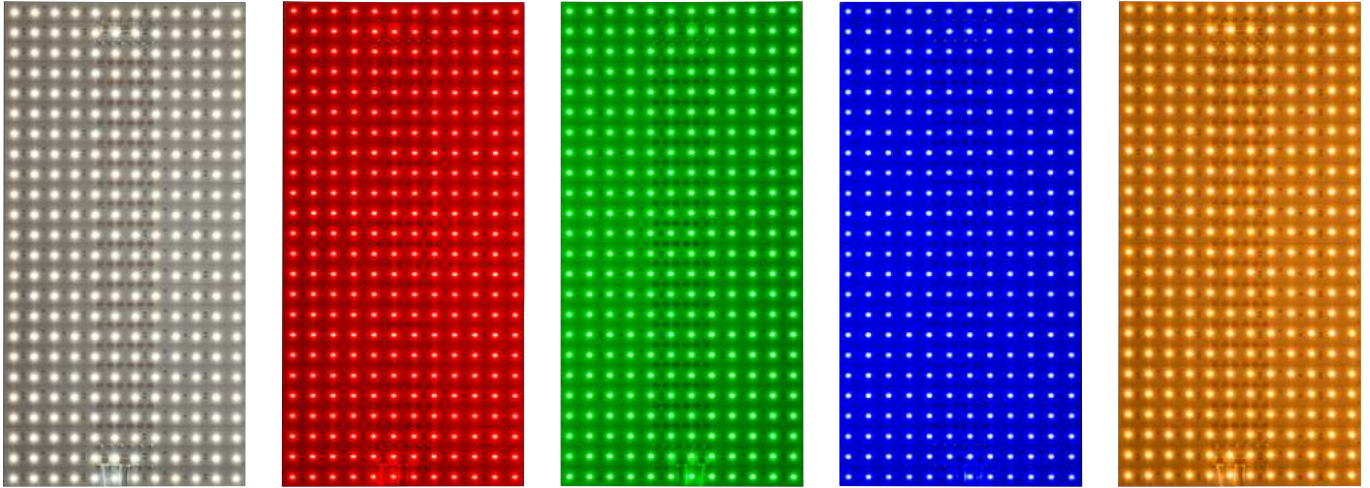
PRODUCT ORDERING

IP20 PRODUCT ORDERING			
	HCP-3925967	RED	158LM
	HCP-3925968	GREEN	184LM
	HCP-3925969	BLUE	141LM
IP54 PRODUCT ORDERING			
	HCP-3955969	BLUE	141LM
IP67 PRODUCT ORDERING			
	HCP-3965969	BLUE	141LM

OTHER DATA




110W RGBCW LED SHEETS



PRODUCT DATA

110W RGBCW LED SHEET	
LED CHIP TYPE	2835
SIZE	480MM X 240MM
PCB	3OZ
LED CHIPS / METRE	288 LED
CUT INCREMENTS	EVERY 12 LED
COLOUR TEMP	RGBCW
LUMEN OUTPUT	5134LM
INPUT VOLTAGE	24V DC
WIRING	PARALLEL
MOUNTING	ALUMINIUM HEAT SINK
MAXIMUM SHEETS	2
REQUIREMENTS	24V DC LED DRIVER + CONTROLLER
DIMMING	RF, WIFI
CRI	RA>90
BEAM ANGLE	120°
IP RATING	IP20

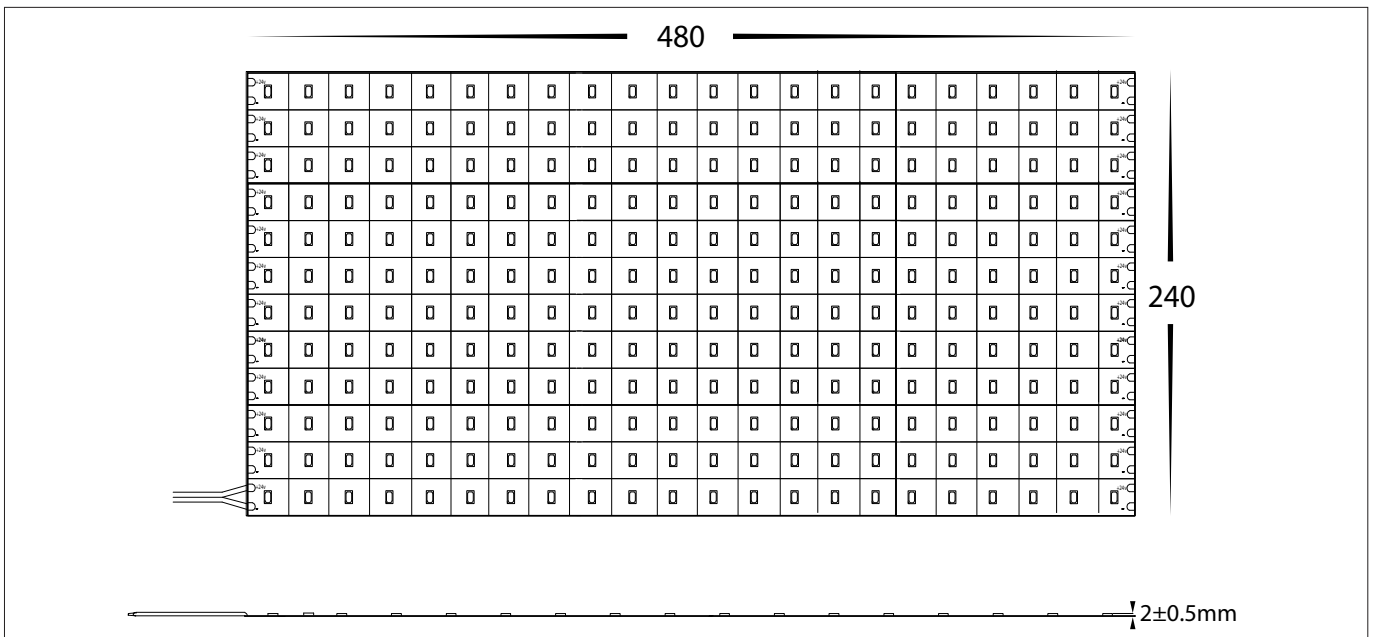
PRODUCT ORDERING

110W LED SHEETS			
	HCP-3825150	RGBCW	5134LM

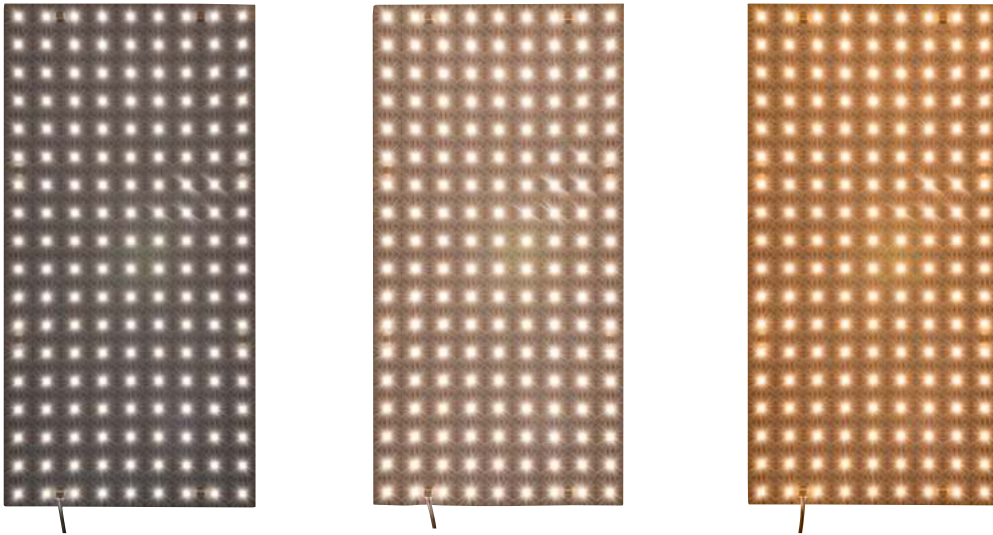
13

LED SHEETS

OTHER DATA



36W LED SHEETS



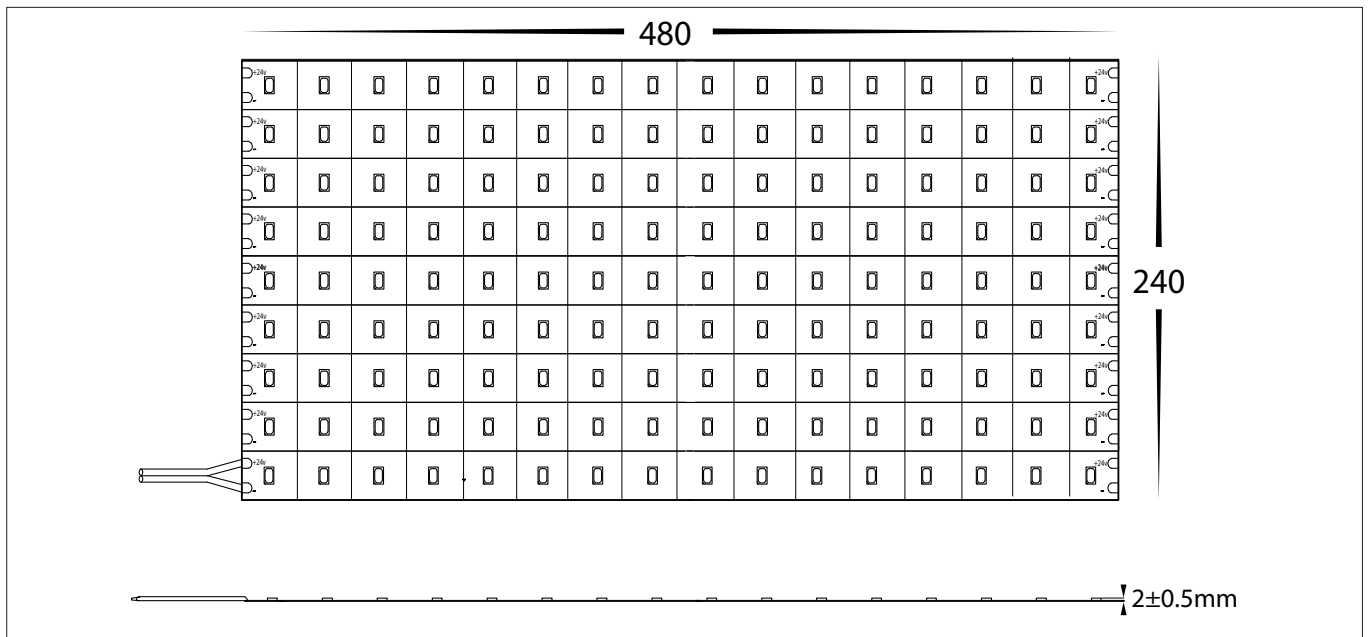
PRODUCT DATA

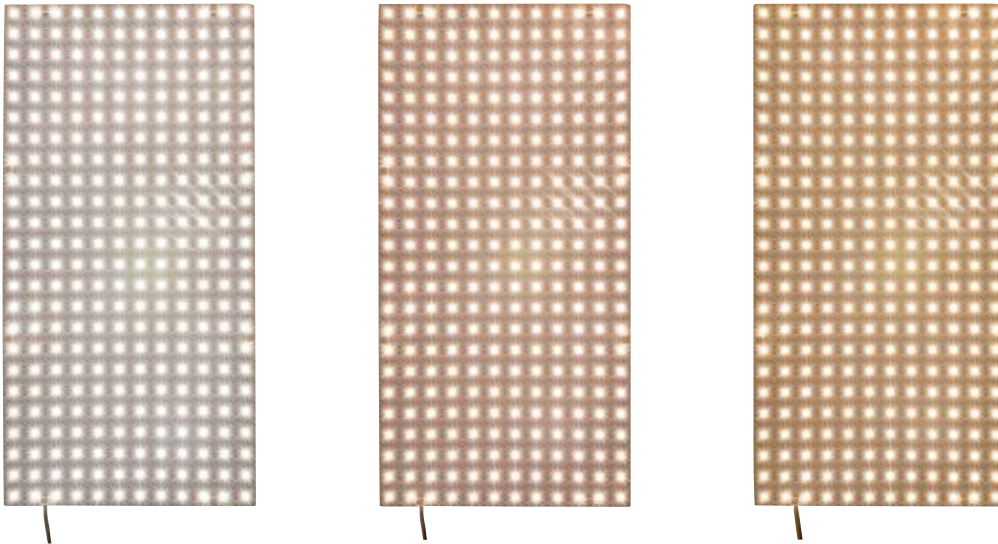
36W LED SHEETS	
LED CHIP TYPE	2835
SIZE	480MM X 240MM
PCB	30Z
LED CHIPS	168
CUT INCREMENTS	EVERY 1 LED
COLOUR TEMP	3000K 4000K 5000K
LUMEN OUTPUT	3273LM 3416LM 3615LM
INPUT VOLTAGE	24V DC
WIRING	PARALLEL
MOUNTING	ALUMINIUM
MAXIMUM SHEETS	7
REQUIREMENTS	24V DC LED DRIVER
DIMMING	0-1/10V, DALI, DMX, RF
CRI	>90
BEAM ANGLE	120°
IP RATING	IP20

PRODUCT ORDERING

36W LED SHEETS			
	HCP-3825363	3000K	3273LM
	HCP-3825364	4000K	3416LM
	HCP-3825365	5000K	3615LM

OTHER DATA





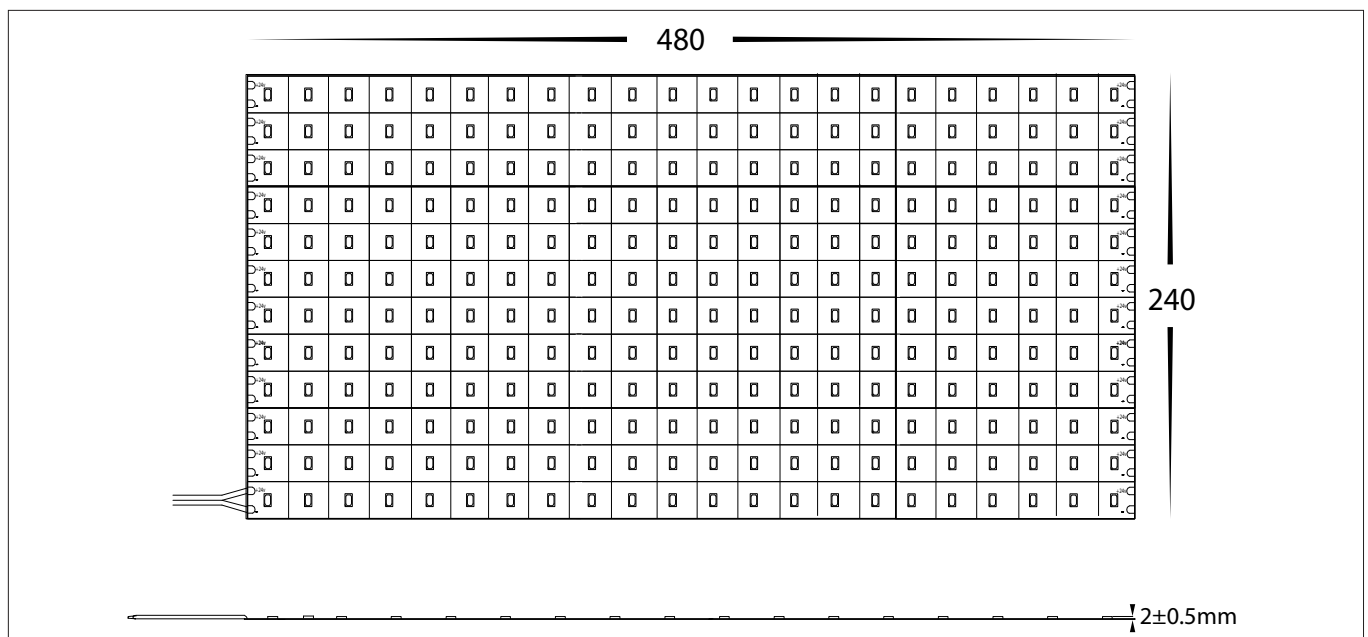
PRODUCT DATA

60W LED SHEETS	
LED CHIP TYPE	2835
SIZE	480MM X 240MM
PCB	3OZ
LED CHIPS	288
CUT INCREMENTS	EVERY 1 LED
COLOUR TEMP	3000K 4000K 5000K
LUMEN OUTPUT	5134LM 5438LM 5507LM
INPUT VOLTAGE	24V DC
WIRING	PARALLEL
MOUNTING	ALUMINIUM
MAXIMUM SHEETS	4
REQUIREMENTS	24V DC LED DRIVER
DIMMING	0-1/10V, DALI, DMX, RF
CRI	>90
BEAM ANGLE	120°
IP RATING	IP20

PRODUCT ORDERING

60W LED SHEETS			
	HCP-3825603	3000K	5134LM
	HCP-3825604	4000K	5438LM
	HCP-3825605	5000K	5507LM

OTHER DATA



9MM X 15MM SURFACE MOUNTED ALUMINIUM PROFILE



PRODUCT DATA

9MM X 15MM	
MATERIAL	ALUMINIUM
COLOUR/FINISH	SILVER
AVAILABLE LENGTHS	UP TO 3000MM CONTINUOUS
LED STRIP TYPE	UP TO 6MM (W) X 2MM (H)
DIFFUSER TYPE	PC STANDARD
IP RATING	IP20

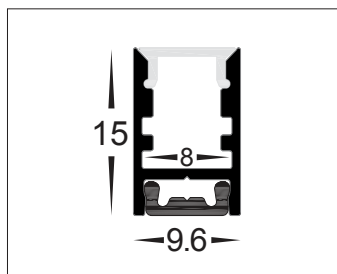
*Powder Coating Available**



PRODUCT ORDERING

ALUMINIUM SILVER		
	HCP-4110915	CUSTOM CUT LENGTH: SUPPLIED WITH 2X END CAPS PER LENGTH
	HCP-4110915-3M	3 METRE LENGTH: SUPPLIED WITH 6X END CAPS

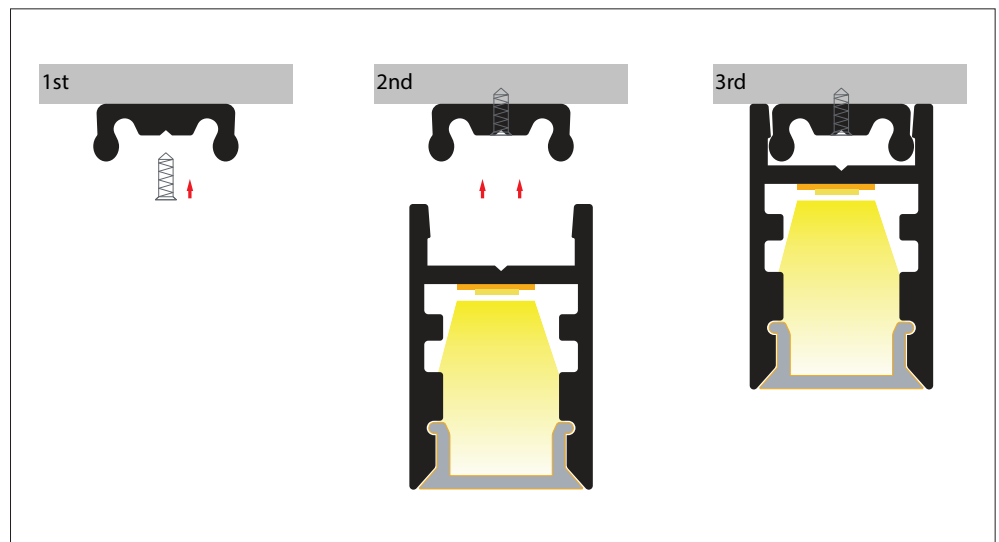
MEASUREMENTS



MOUNTING CLIPS

Supplied with Aluminium Mounting Bar

SAMPLE INSTALLATION METHOD



10MM X 7MM SURFACE MOUNTED ALUMINIUM PROFILE



PRODUCT DATA

10MM X 7MM	
MATERIAL	ALUMINIUM
COLOUR/FINISH	SILVER
AVAILABLE LENGTHS	UP TO 3000MM CONTINUOUS
LED STRIP TYPE	UP TO 6MM (W) X 2MM (H)
DIFFUSER TYPE	PC STANDARD
IP RATING	IP20

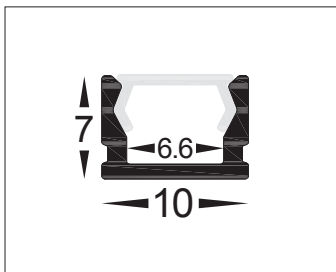
*Powder Coating Available**



PRODUCT ORDERING

ALUMINIUM SILVER		
	HCP-4111007	CUSTOM CUT LENGTH: SUPPLIED WITH 2X MOUNTING CLIPS PER METRE + 2X END CAPS PER LENGTH
	HCP-4111007-3M	3 METRE LENGTH: SUPPLIED WITH 6X MOUNTING CLIPS + 6X END CAPS

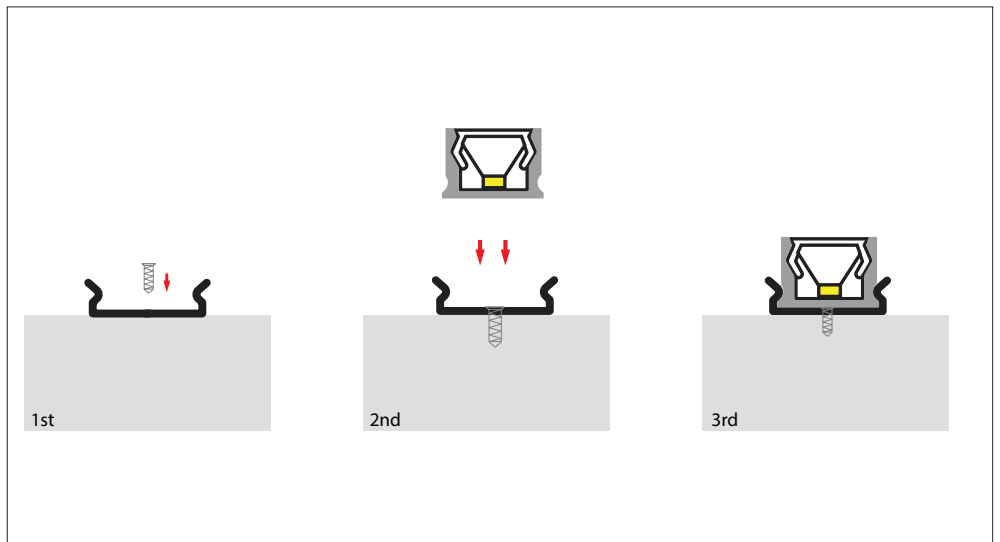
MEASUREMENTS



MOUNTING CLIPS



SAMPLE INSTALLATION METHOD



15MM X 6MM SURFACE MOUNTED ALUMINIUM PROFILE



Powder Coating Available*



PRODUCT DATA

15MM X 6MM	
MATERIAL	ALUMINIUM
COLOUR/FINISH	SILVER
AVAILABLE LENGTHS	UP TO 3000MM CONTINUOUS
LED STRIP TYPE	UP TO 10MM (W) X 3MM (H)
DIFFUSER TYPE	PC STANDARD
IP RATING	IP20

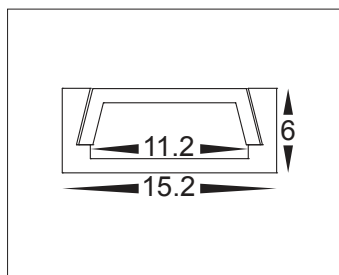


HCP-4681506-LD:
Diffuser available for continuous run of up to 20 metres

PRODUCT ORDERING

ALUMINIUM SILVER		
	HCP-4111506	CUSTOM CUT LENGTH: SUPPLIED WITH 2X MOUNTING CLIPS PER METRE + 2X END CAPS PER LENGTH
	HCP-4111506-3M	3 METRE LENGTH: SUPPLIED WITH 6X MOUNTING CLIPS + 6X END CAPS

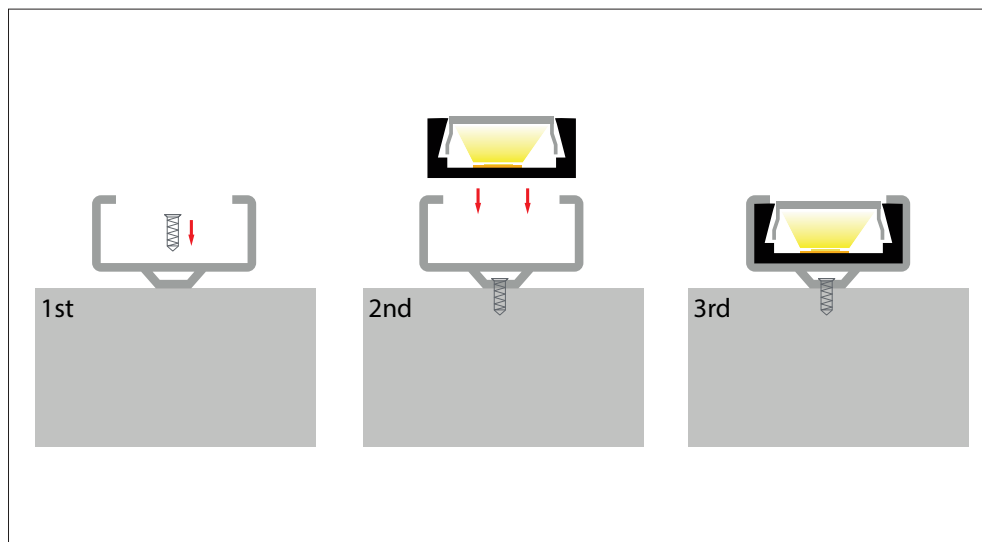
MEASUREMENTS



MOUNTING CLIPS



SAMPLE INSTALLATION METHOD

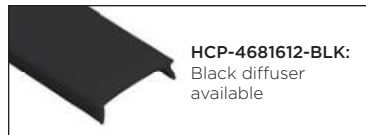
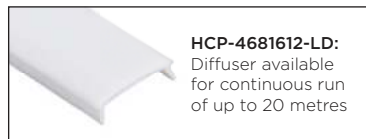


16MM X 12MM SURFACE MOUNTED ALUMINIUM PROFILE






PRODUCT DATA

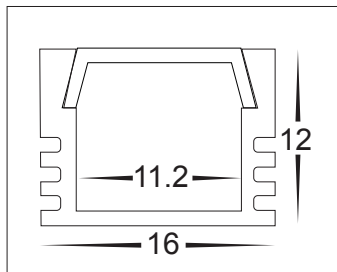
16MM X 12MM	
MATERIAL	ALUMINIUM
COLOUR/FINISH	SILVER, MATT BLACK OR MATT WHITE
AVAILABLE LENGTHS	UP TO 3000MM CONTINUOUS
LED STRIP TYPE	UP TO 10MM (W) X 3MM (H)
DIFFUSER TYPE	PC STANDARD
IP RATING	IP20



PRODUCT ORDERING

ALUMINIUM SILVER		
	HCP-4111612	CUSTOM CUT LENGTH: SUPPLIED WITH 2X MOUNTING CLIPS PER METRE + 2X END CAPS PER LENGTH
	HCP-4111612-3M	3 METRE LENGTH: SUPPLIED WITH 6X MOUNTING CLIPS + 6X END CAPS
ALUMINIUM BLACK		
	HCP-4121612	CUSTOM CUT LENGTH: SUPPLIED WITH 2X MOUNTING CLIPS PER METRE + 2X END CAPS PER LENGTH
	HCP-4121612-3M	3 METRE LENGTH: SUPPLIED WITH 6X MOUNTING CLIPS + 6X END CAPS
ALUMINIUM WHITE		
	HCP-4131612	CUSTOM CUT LENGTH: SUPPLIED WITH 2X MOUNTING CLIPS PER METRE + 2X END CAPS PER LENGTH
	HCP-4131612-3M	3 METRE LENGTH: SUPPLIED WITH 6X MOUNTING CLIPS + 6X END CAPS

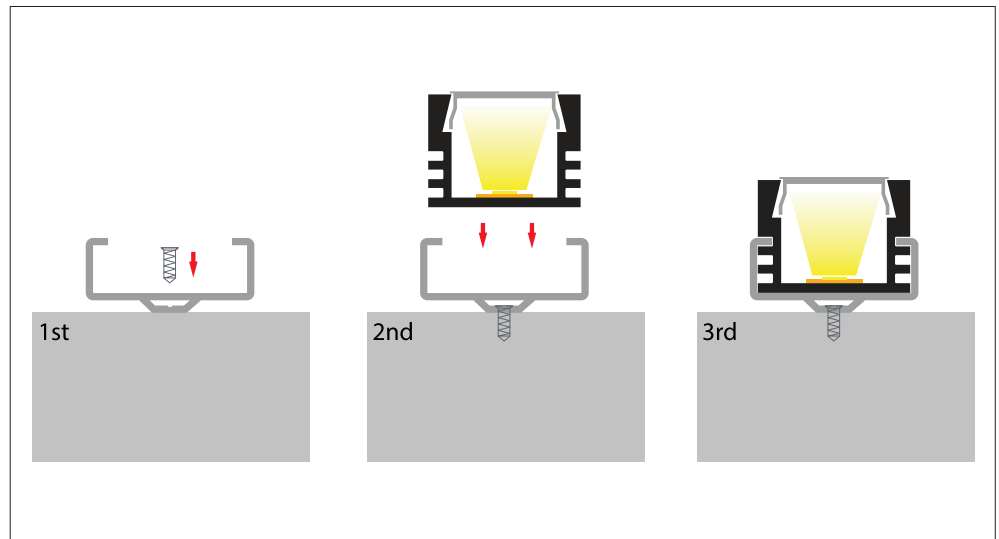
MEASUREMENTS



MOUNTING CLIPS



SAMPLE INSTALLATION METHOD



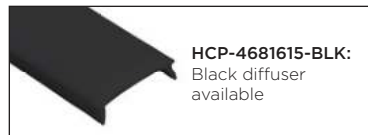
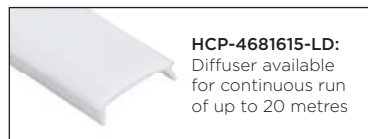
14
ALUMINIUM PROFILE

16MM X 15MM SURFACE MOUNTED PROFILE







PRODUCT DATA

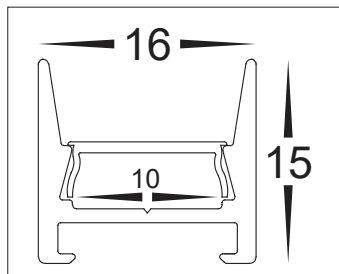
16MM X 15MM	
MATERIAL	ALUMINIUM
COLOUR/FINISH	SILVER, MATT BLACK OR MATT WHITE
AVAILABLE LENGTHS	UP TO 3000MM CONTINUOUS
LED STRIP TYPE	UP TO 10MM (W) X 3MM (W)
DIFFUSER TYPE	PC STANDARD
IP RATING	IP20



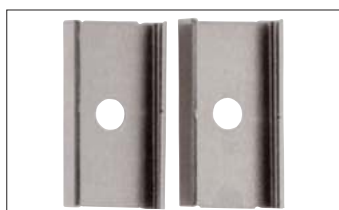
PRODUCT ORDERING

JOINERS + MOUNTING CLIPS		
	HCP-4501615-JOINER	STRAIGHT JOINER
	HCP-4501615-LJOINER	L SHAPE JOINER
	HCP-4501615-VJOINER	VERTICAL L SHAPE JOINER
	HCP-4501615-MGC	2X MAGNETIC MOUNTING CLIPS

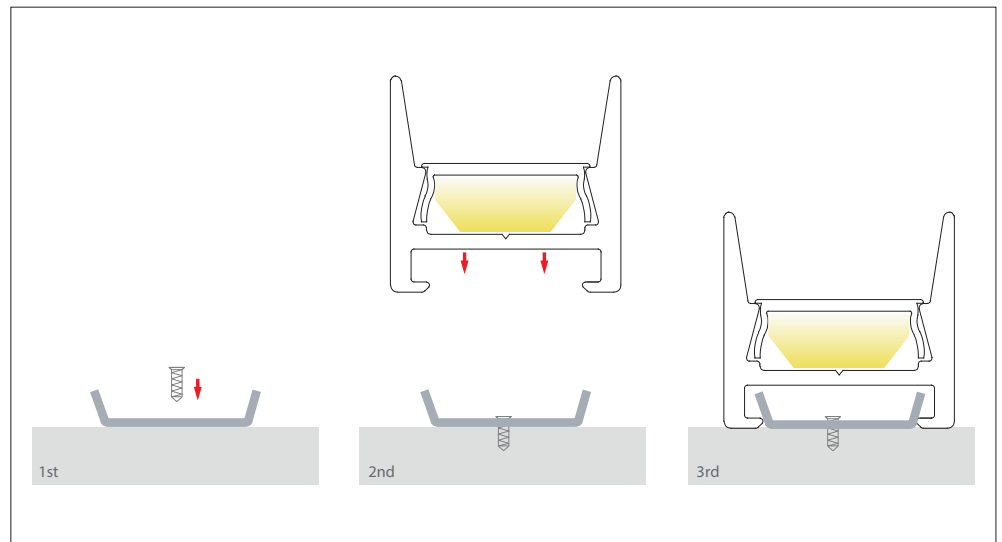
MEASUREMENTS



MOUNTING CLIPS



SAMPLE INSTALLATION METHOD

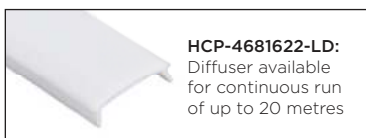


16MM X 22MM SURFACE MOUNTED PROFILE



PRODUCT DATA

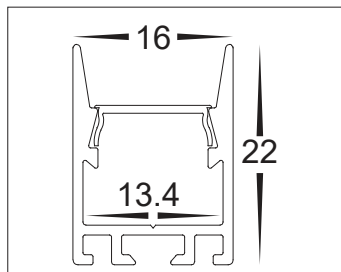
16MM X 22MM	
MATERIAL	ALUMINIUM
COLOUR/FINISH	SILVER, MATT BLACK OR MATT WHITE
AVAILABLE LENGTHS	UP TO 3000MM CONTINUOUS
LED STRIP TYPE	UP TO 13MM (W) X 3MM (H)
DIFFUSER TYPE	PC STANDARD
IP RATING	IP20



PRODUCT ORDERING

ALUMINIUM SILVER		
	HCP-4111622	CUSTOM CUT LENGTH: SUPPLIED WITH 2X END CAPS PER LENGTH
	HCP-4111622-3M	3 METRE LENGTH: SUPPLIED WITH 6X END CAPS
ALUMINIUM BLACK		
	HCP-4121622	CUSTOM CUT LENGTH: SUPPLIED WITH 2X END CAPS PER LENGTH
	HCP-4121622-3M	3 METRE LENGTH: SUPPLIED WITH 6X END CAPS
ALUMINIUM WHITE		
	HCP-4131622	CUSTOM CUT LENGTH: SUPPLIED WITH 2X END CAPS PER LENGTH
	HCP-4131622-3M	3 METRE LENGTH: SUPPLIED WITH 6X END CAPS

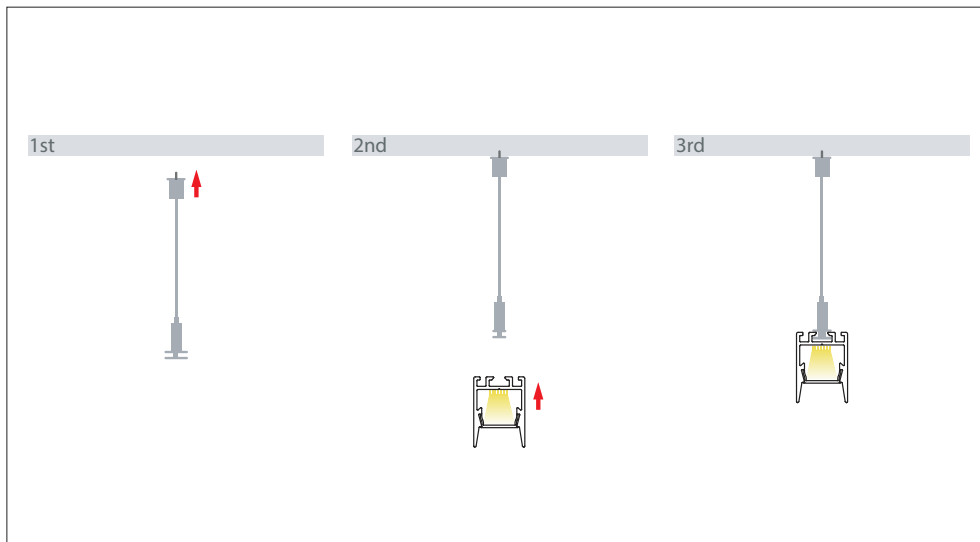
MEASUREMENTS



SUSPENSION KIT



SAMPLE INSTALLATION METHOD



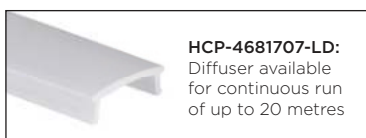
14
ALUMINIUM PROFILE

18MM X 9MM SURFACE MOUNTED ALUMINIUM PROFILE






PRODUCT DATA

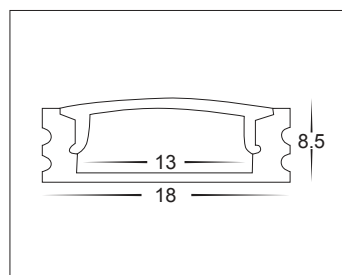
18MM X 9MM	
MATERIAL	ALUMINIUM
COLOUR/FINISH	SILVER, MATT BLACK OR MATT WHITE
AVAILABLE LENGTHS	UP TO 3000MM CONTINUOUS
LED STRIP TYPE	UP TO 12MM (W) X 3MM (H)
DIFFUSER TYPE	PC STANDARD
IP RATING	IP20



PRODUCT ORDERING

ALUMINIUM SILVER		
	HCP-4111707	CUSTOM CUT LENGTH: SUPPLIED WITH 2X MOUNTING CLIPS PER METRE + 2X END CAPS PER LENGTH
	HCP-4111707-3M	3 METRE LENGTH: SUPPLIED WITH 6X MOUNTING CLIPS + 6X END CAPS
ALUMINIUM BLACK		
	HCP-4121707	CUSTOM CUT LENGTH: SUPPLIED WITH 2X MOUNTING CLIPS PER METRE + 2X END CAPS PER LENGTH
	HCP-4121707-3M	3 METRE LENGTH: SUPPLIED WITH 6X MOUNTING CLIPS + 6X END CAPS
ALUMINIUM WHITE		
	HCP-4131707	CUSTOM CUT LENGTH: SUPPLIED WITH 2X MOUNTING CLIPS PER METRE + 2X END CAPS PER LENGTH
	HCP-4131707-3M	3 METRE LENGTH: SUPPLIED WITH 6X MOUNTING CLIPS + 6X END CAPS

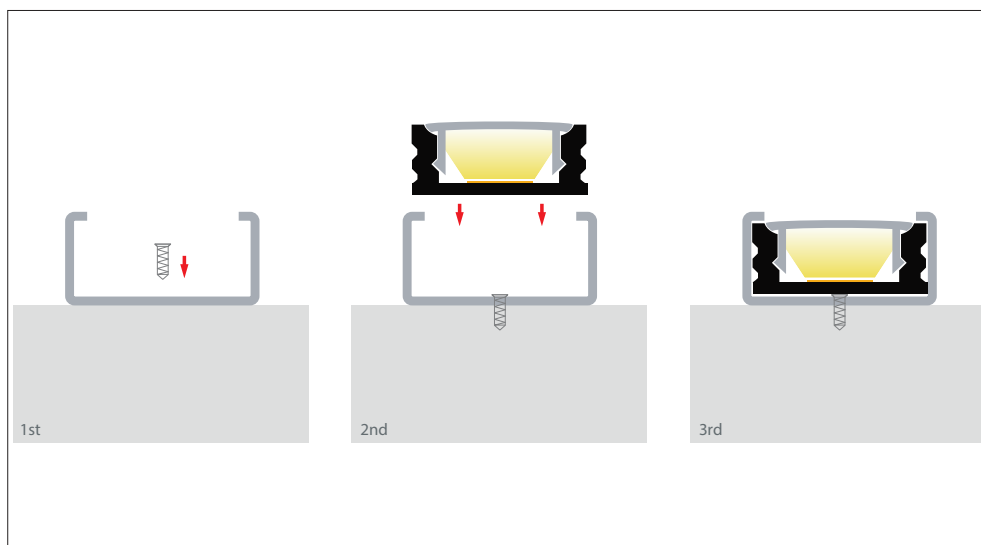
MEASUREMENTS



MOUNTING CLIPS



SAMPLE INSTALLATION METHOD

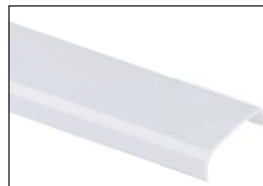


18MM X 6MM BENDABLE ALUMINIUM PROFILE



PRODUCT DATA

18MM X 6MM	
MATERIAL	ALUMINIUM
COLOUR/FINISH	SILVER
AVAILABLE LENGTHS	UP TO 3000MM CONTINUOUS
LED STRIP TYPE	UP TO 12MM (W) X 3MM (H)
DIFFUSER TYPE	PC STANDARD
IP RATING	IP20

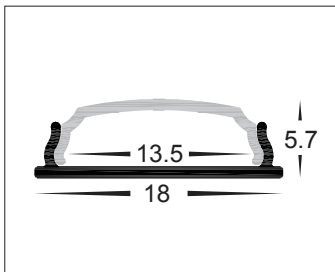


HCP-4681806-LD:
Diffuser available for continuous run of up to 20 metres

PRODUCT ORDERING

ALUMINIUM SILVER		
	HCP-4111806	CUSTOM CUT LENGTH: SUPPLIED WITH 2X MOUNTING CLIPS PER METRE + 2X END CAPS PER LENGTH
	HCP-4111806-3M	3 METRE LENGTH: SUPPLIED WITH 6X MOUNTING CLIPS + 6X END CAPS

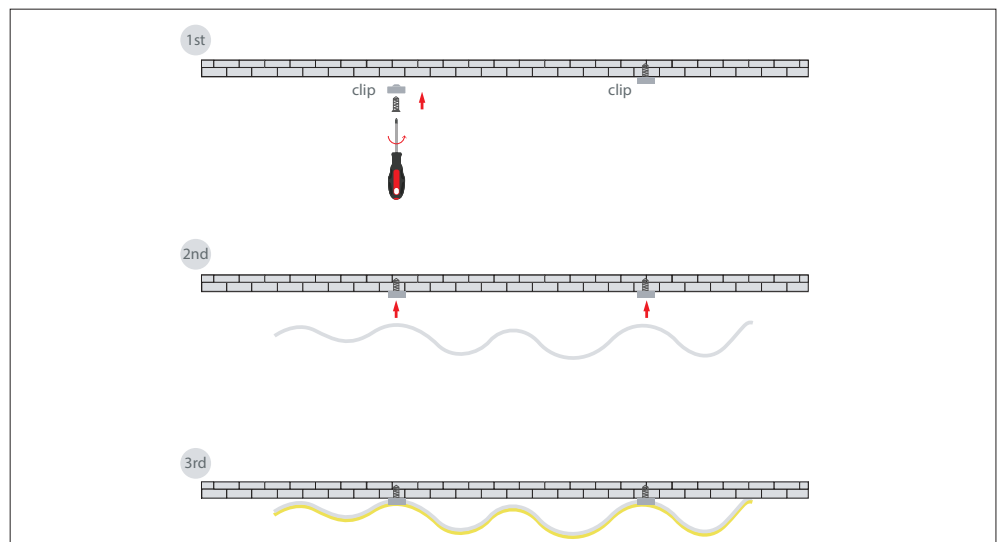
MEASUREMENTS



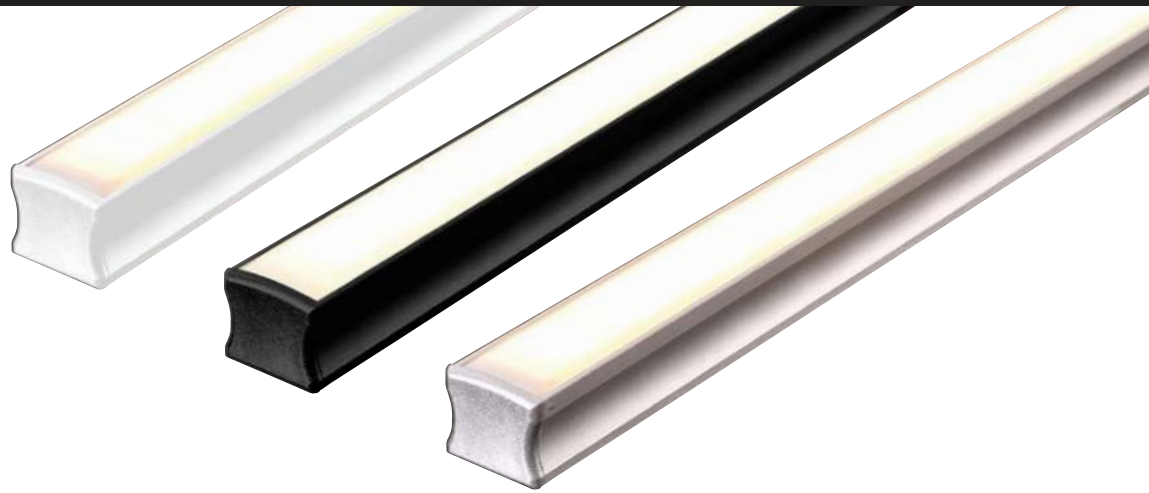
MOUNTING CLIPS



SAMPLE INSTALLATION METHOD

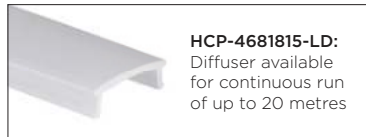


18MM X 16MM SURFACE MOUNTED ALUMINIUM PROFILE



PRODUCT DATA

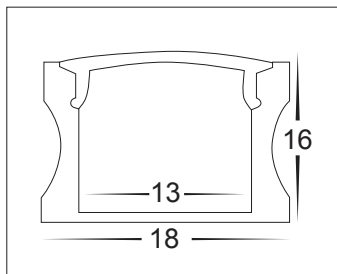
18MM X 16MM	
MATERIAL	ALUMINIUM
COLOUR/FINISH	SILVER, MATT BLACK OR MATT WHITE
AVAILABLE LENGTHS	UP TO 3000MM CONTINUOUS
LED STRIP TYPE	UP TO 12MM (W) X 3MM (H)
DIFFUSER TYPE	PC STANDARD
IP RATING	IP20



PRODUCT ORDERING

ALUMINIUM SILVER		
	HCP-4111815	CUSTOM CUT LENGTH: SUPPLIED WITH 2X MOUNTING CLIPS PER METRE + 2X END CAPS PER LENGTH
	HCP-4111815-3M	3 METRE LENGTH: SUPPLIED WITH 6X MOUNTING CLIPS + 6X END CAPS
ALUMINIUM BLACK		
	HCP-4121815	CUSTOM CUT LENGTH: SUPPLIED WITH 2X MOUNTING CLIPS PER METRE + 2X END CAPS PER LENGTH
	HCP-4121815-3M	3 METRE LENGTH: SUPPLIED WITH 6X MOUNTING CLIPS + 6X END CAPS
ALUMINIUM WHITE		
	HCP-4131815	CUSTOM CUT LENGTH: SUPPLIED WITH 2X MOUNTING CLIPS PER METRE + 2X END CAPS PER LENGTH
	HCP-4131815-3M	3 METRE LENGTH: SUPPLIED WITH 6X MOUNTING CLIPS + 6X END CAPS

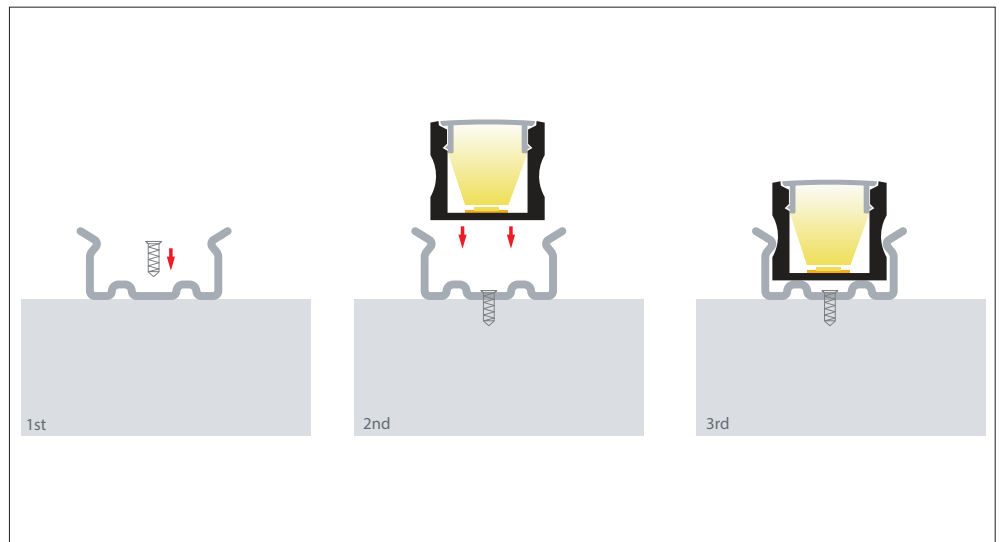
MEASUREMENTS



MOUNTING CLIPS



SAMPLE INSTALLATION METHOD



20MM X 14MM SURFACE MOUNTED ALUMINIUM PROFILE



PRODUCT DATA

20MM X 14MM	
MATERIAL	ALUMINIUM
COLOUR/FINISH	SILVER
AVAILABLE LENGTHS	UP TO 3000MM CONTINUOUS
LED STRIP TYPE	UP TO 16MM (W) X 3MM (H)
DIFFUSER TYPE	PC STANDARD
IP RATING	IP20

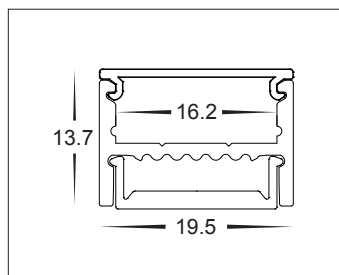
Powder Coating Available*



PRODUCT ORDERING

ALUMINIUM SILVER		
	HCP-4111922	CUSTOM CUT LENGTH: SUPPLIED WITH 2X END CAPS PER LENGTH
	HCP-4111922-3M	3 METRE LENGTH: SUPPLIED WITH 6X END CAPS

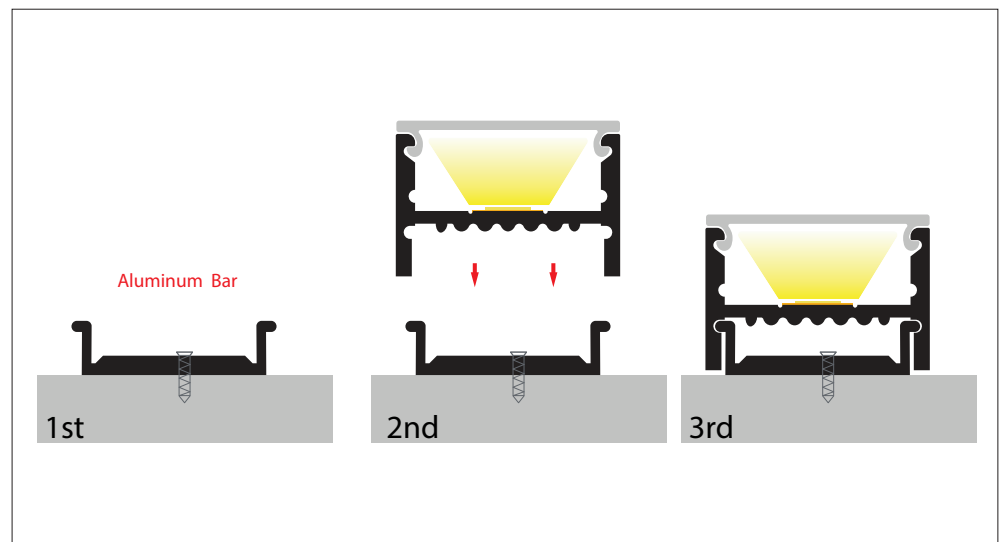
MEASUREMENTS



MOUNTING CLIPS

Supplied with Aluminium Mounting Bar

SAMPLE INSTALLATION METHOD



14 ALUMINIUM PROFILE

21MM X 21MM SURFACE MOUNTED ALUMINIUM PROFILE



PRODUCT DATA

21MM X 21MM	
MATERIAL	ALUMINIUM
COLOUR/FINISH	SILVER
AVAILABLE LENGTHS	UP TO 3000MM CONTINUOUS
LED STRIP TYPE	UP TO 16MM (W) X 6MM (H)
DIFFUSER TYPE	PC STANDARD
IP RATING	IP20

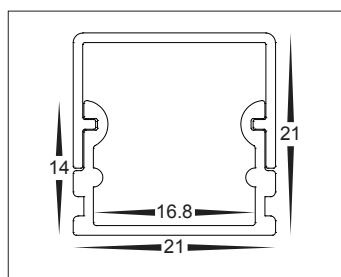
Powder Coating
Available*



PRODUCT ORDERING

ALUMINIUM SILVER		
	HCP-4112114	CUSTOM CUT LENGTH: SUPPLIED WITH 2X MOUNTING CLIPS PER METRE + 2X END CAPS PER LENGTH
	HCP-4112114-3M	3 METRE LENGTH: SUPPLIED WITH 6X MOUNTING CLIPS + 6X END CAPS

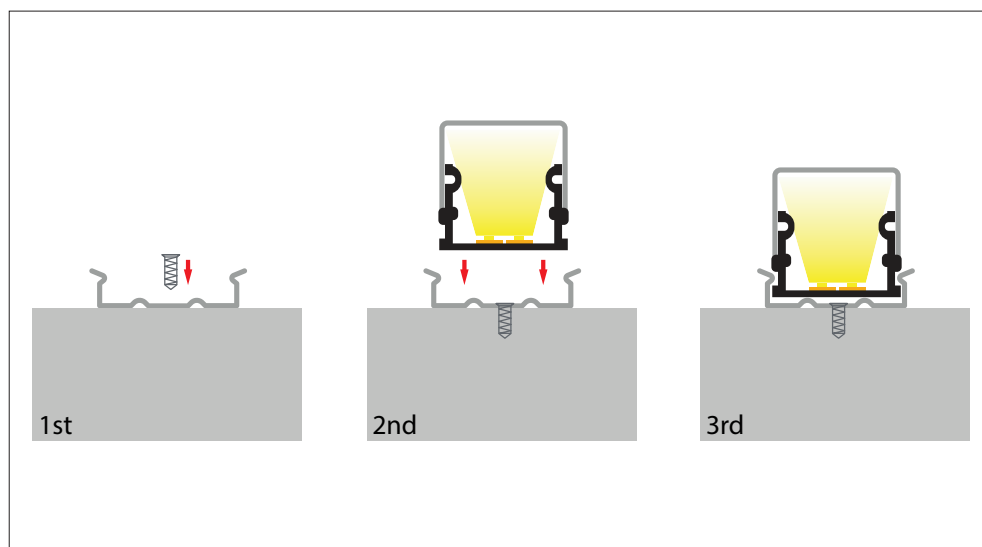
MEASUREMENTS



MOUNTING CLIPS



SAMPLE INSTALLATION METHOD



20MM X 23MM SURFACE MOUNTED ALUMINIUM PROFILE



PRODUCT DATA

20MM X 23MM	
MATERIAL	ALUMINIUM
COLOUR/FINISH	SILVER
AVAILABLE LENGTHS	UP TO 3000MM CONTINUOUS
LED STRIP TYPE	UP TO 16MM (W) X 6MM (H)
DIFFUSER TYPE	PC STANDARD
IP RATING	IP20

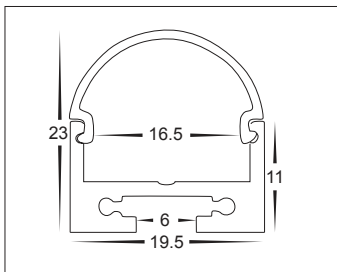
Powder Coating Available*



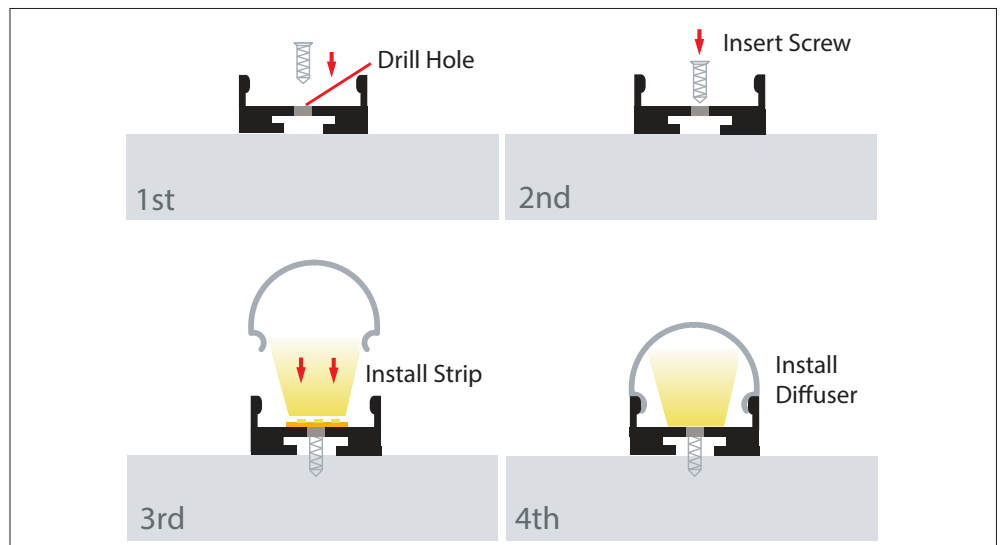
PRODUCT ORDERING

ALUMINIUM SILVER		
	HCP-4112119	CUSTOM CUT LENGTH: SUPPLIED WITH 2X END CAPS PER LENGTH
	HCP-4112119-3M	3 METRE LENGTH: SUPPLIED WITH 6X END CAPS

MEASUREMENTS



SAMPLE INSTALLATION METHOD



23MM X 10MM SURFACE MOUNTED ALUMINIUM PROFILE



Powder Coating Available*



PRODUCT DATA

23MM X 10MM	
MATERIAL	ALUMINIUM
COLOUR/FINISH	SILVER
AVAILABLE LENGTHS	UP TO 3000MM CONTINUOUS
LED STRIP TYPE	UP TO 20MM (W) X 4MM (H)
DIFFUSER TYPE	PC STANDARD
IP RATING	IP20

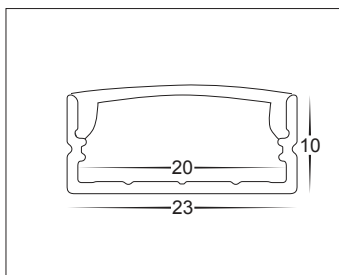


HCP-4682310-LD:
Diffuser available for continuous run of up to 20 metres

PRODUCT ORDERING

ALUMINIUM SILVER		
	HCP-4112310	CUSTOM CUT LENGTH: SUPPLIED WITH 2X MOUNTING CLIPS PER METRE + 2X END CAPS PER LENGTH
	HCP-4112310-3M	3 METRE LENGTH: SUPPLIED WITH 6X MOUNTING CLIPS + 6X END CAPS
ALUMINIUM BLACK		
	HCP-4122310	CUSTOM CUT LENGTH: SUPPLIED WITH 2X MOUNTING CLIPS PER METRE + 2X END CAPS PER LENGTH
	HCP-4122310-3M	3 METRE LENGTH: SUPPLIED WITH 6X MOUNTING CLIPS + 6X END CAPS

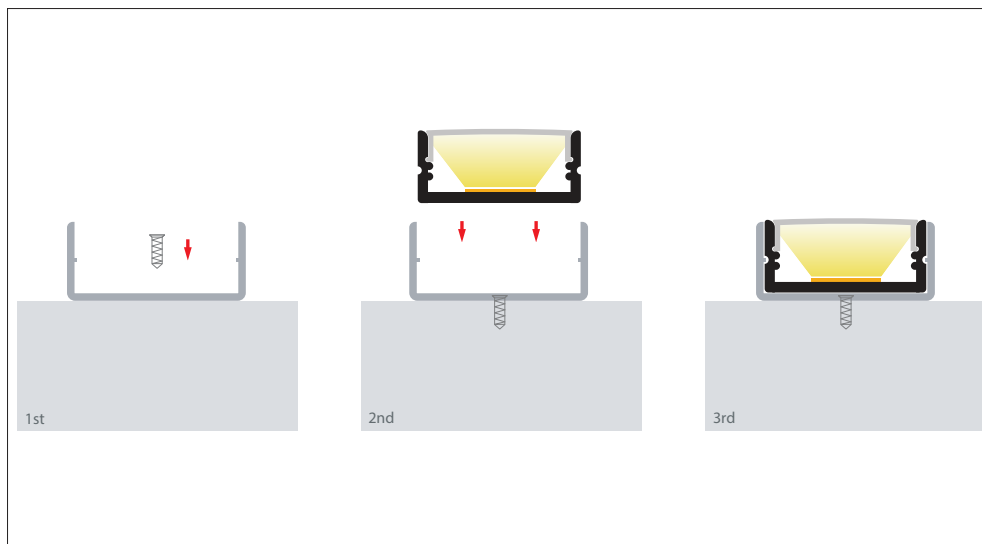
MEASUREMENTS



MOUNTING CLIPS



SAMPLE INSTALLATION METHOD



*Colour will vary from colour shown, additional charges will apply.

23MM X 28MM SURFACE MOUNTED ALUMINIUM PROFILE



Powder Coating Available*



PRODUCT DATA

23MM X 28MM	
MATERIAL	ALUMINIUM
COLOUR/FINISH	SILVER
AVAILABLE LENGTHS	UP TO 3000MM CONTINUOUS
LED STRIP TYPE	UP TO 19MM (W) X 6MM (H)
DIFFUSER TYPE	PC STANDARD
IP RATING	IP20

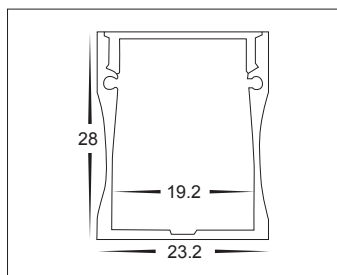


HCP-4682320-LD:
Diffuser available for continuous run of up to 20 metres

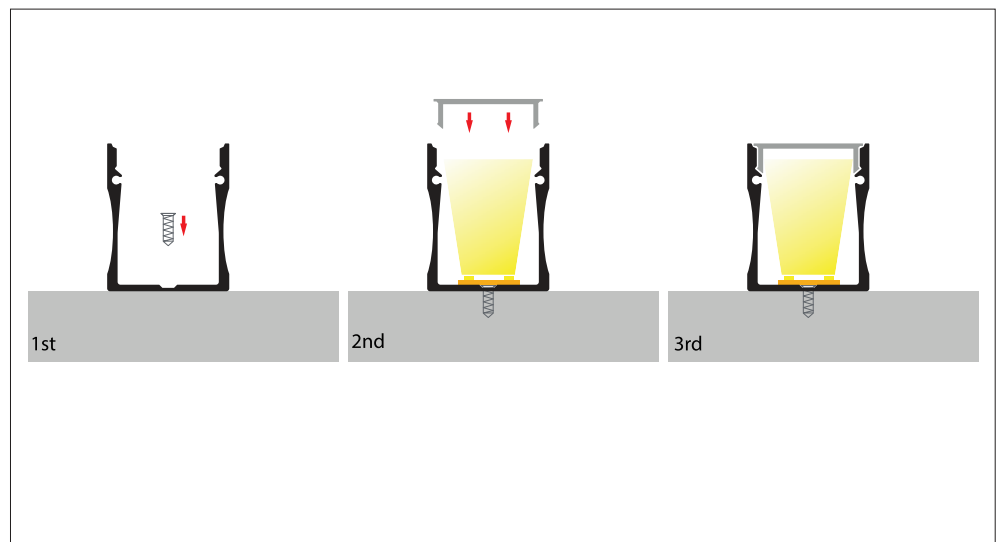
PRODUCT ORDERING

ALUMINIUM SILVER		
	HCP-4112320	CUSTOM CUT LENGTH: SUPPLIED WITH 2X END CAPS PER LENGTH
	HCP-4112320-3M	3 METRE LENGTH: SUPPLIED WITH 6X END CAPS

MEASUREMENTS



SAMPLE INSTALLATION METHOD



*Colour will vary from colour shown, additional charges will apply.

26MM X 23MM SURFACE MOUNTED ALUMINIUM PROFILE



PRODUCT DATA

26MM X 23MM	
MATERIAL	ALUMINIUM
COLOUR/FINISH	SILVER
AVAILABLE LENGTHS	UP TO 3000MM CONTINUOUS
LED STRIP TYPE	UP TO 16MM (W) X 6MM (H)
DIFFUSER TYPE	PC STANDARD
IP RATING	IP20

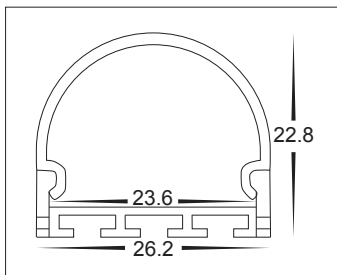
*Powder Coating Available**



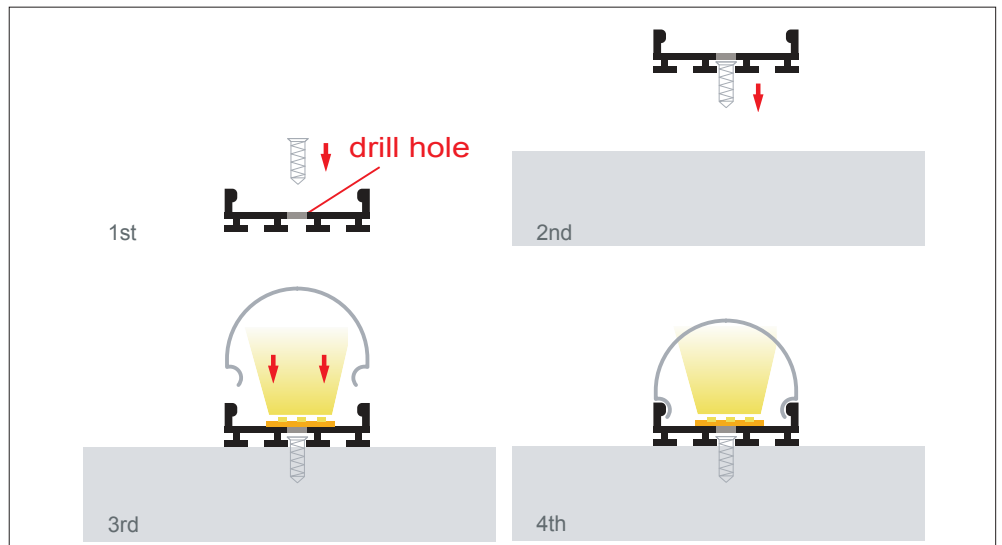
PRODUCT ORDERING

ALUMINIUM SILVER		
	HCP-4112618	CUSTOM CUT LENGTH: SUPPLIED WITH 2X END CAPS PER LENGTH
	HCP-4112618-3M	3 METRE LENGTH: SUPPLIED WITH 6X END CAPS

MEASUREMENTS



SAMPLE INSTALLATION METHOD



45MM X 12MM SURFACE MOUNTED ALUMINIUM PROFILE



Powder Coating Available*



PRODUCT DATA

45MM X 12MM	
MATERIAL	ALUMINIUM
COLOUR/FINISH	SILVER
AVAILABLE LENGTHS	UP TO 3000MM CONTINUOUS
LED STRIP TYPE	UP TO 35MM (W) X 3MM (H)
DIFFUSER TYPE	PC STANDARD
IP RATING	IP20

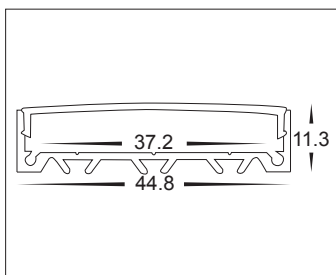


HCP-4684511-LD:
Diffuser available for continuous run of up to 20 metres

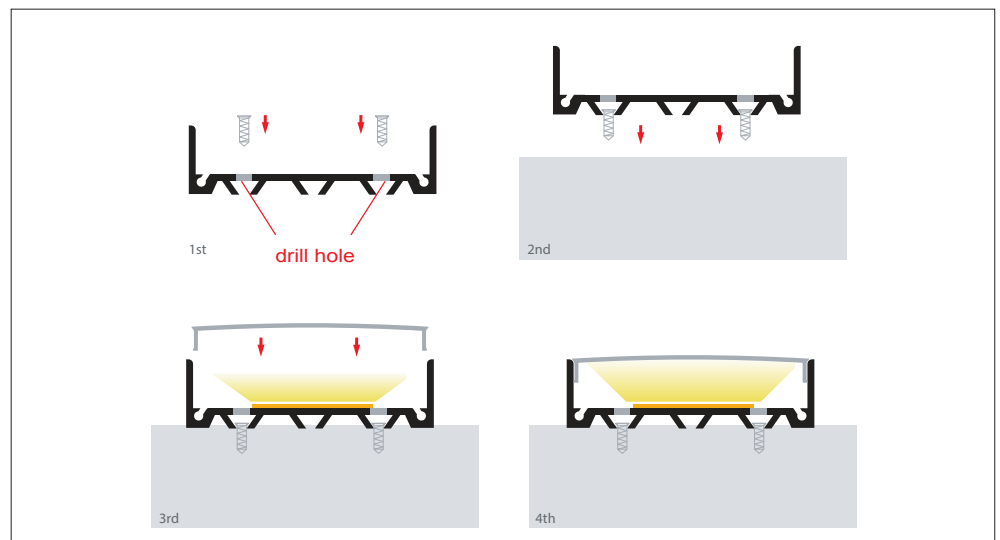
PRODUCT ORDERING

ALUMINIUM SILVER		
	HCP-4114511	CUSTOM CUT LENGTH: SUPPLIED WITH 2X END CAPS PER LENGTH
	HCP-4114511-3M	3 METRE LENGTH: SUPPLIED WITH 6X END CAPS

MEASUREMENTS



SAMPLE INSTALLATION METHOD



80MM X 35MM SURFACE MOUNTED ALUMINIUM PROFILE



Powder Coating Available*



PRODUCT DATA

80MM X 35MM	
MATERIAL	ALUMINIUM
COLOUR/FINISH	SILVER
AVAILABLE LENGTHS	UP TO 3000MM CONTINUOUS
LED STRIP TYPE	UP TO 40MM (W) X 6MM (H)
DIFFUSER TYPE	PC STANDARD
IP RATING	IP20

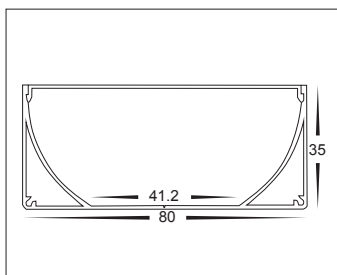


HCP-4688035-LD:
Diffuser available for continuous run of up to 20 metres

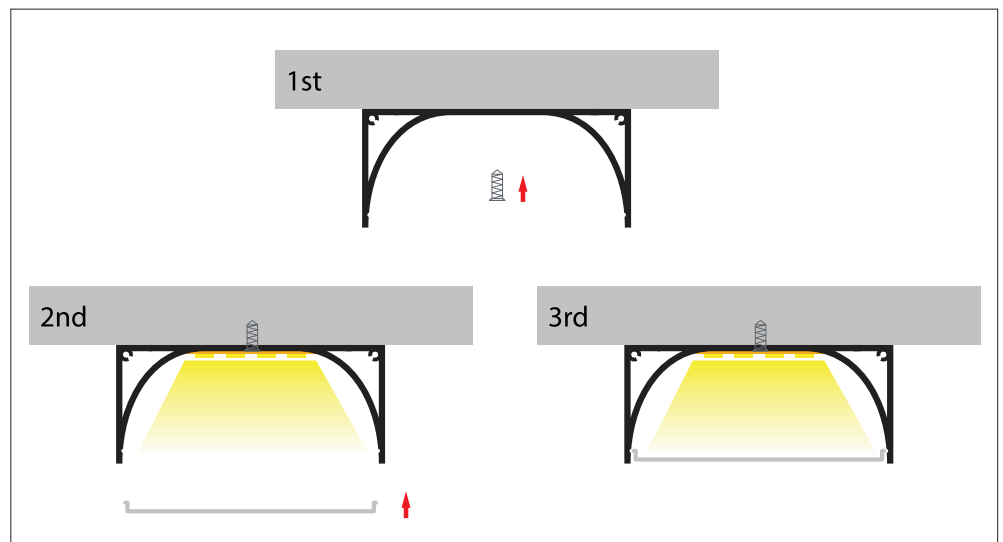
PRODUCT ORDERING

ALUMINIUM SILVER		
	HCP-4118035	CUSTOM CUT LENGTH: SUPPLIED WITH 2X END CAPS PER LENGTH
	HCP-4118035-3M	3 METRE LENGTH: SUPPLIED WITH 6X END CAPS

MEASUREMENTS



SAMPLE INSTALLATION METHOD



*Colour will vary from colour shown, additional charges will apply.

19MM X 8MM FOOT TRAFFICABLE ALUMINIUM PROFILE



PRODUCT DATA

19MM X 8MM	
MATERIAL	ALUMINIUM
COLOUR/FINISH	SILVER
AVAILABLE LENGTHS	UP TO 3000MM CONTINUOUS
LED STRIP TYPE	UP TO 10MM (W) X 3MM (H)
DIFFUSER TYPE	PC STANDARD
IP RATING	IP20

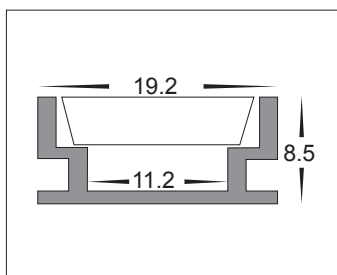
Powder Coating Available*



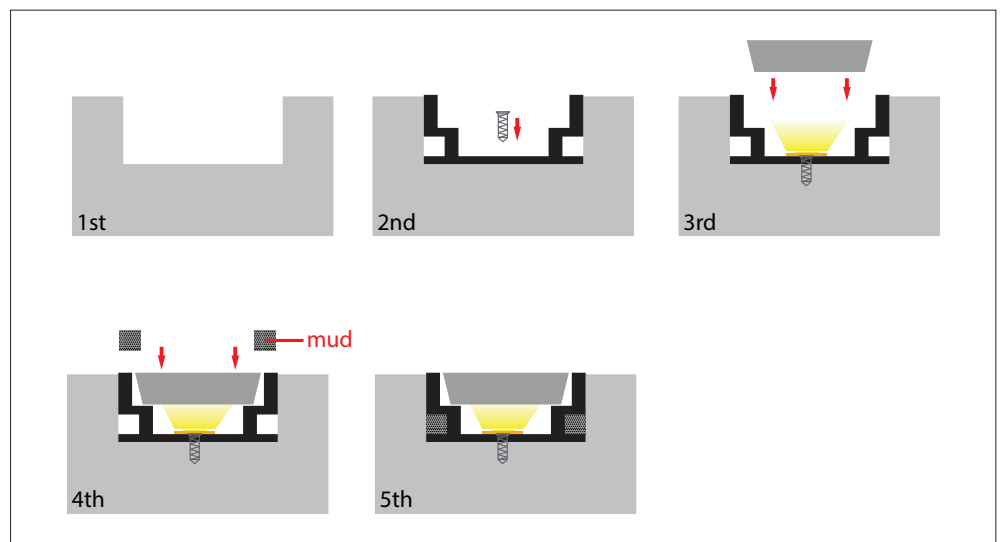
PRODUCT ORDERING

ALUMINIUM SILVER		
	HCP-4111908	CUSTOM CUT LENGTH: SUPPLIED WITH 2X END CAPS PER LENGTH
	HCP-4111908-3M	3 METRE LENGTH: SUPPLIED WITH 6X END CAPS

MEASUREMENTS



SAMPLE INSTALLATION METHOD



14
ALUMINIUM PROFILE

26MM X 26MM FOOT TRAFFICABLE ALUMINIUM PROFILE



PRODUCT DATA

26MM X 26MM	
MATERIAL	ALUMINIUM
COLOUR/FINISH	SILVER
AVAILABLE LENGTHS	UP TO 3000MM CONTINUOUS
LED STRIP TYPE	UP TO 12MM (W) X 3MM (H)
DIFFUSER TYPE	PC STANDARD
IP RATING	IP20

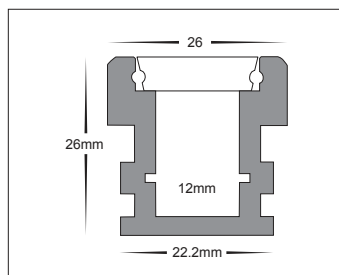
Powder Coating Available*



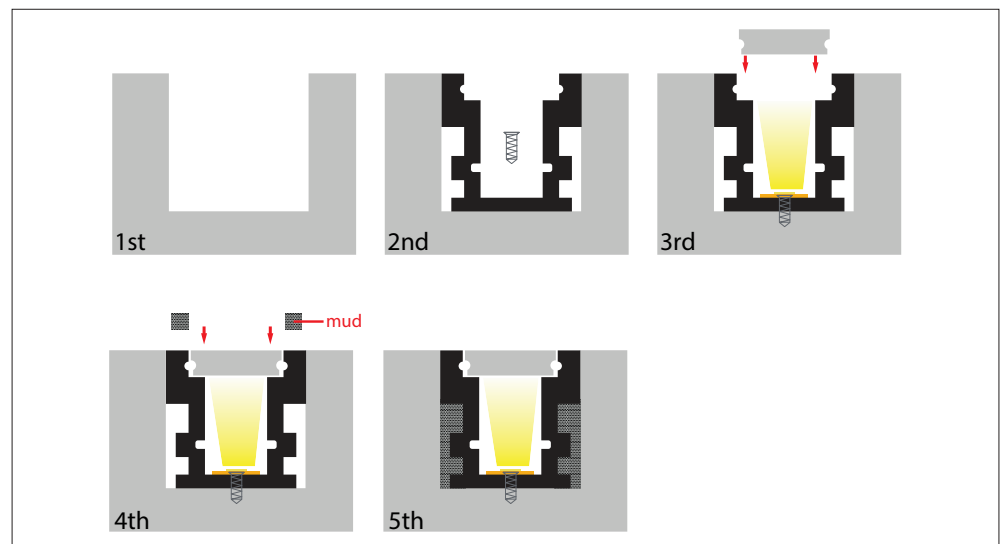
PRODUCT ORDERING

ALUMINIUM SILVER		
	HCP-4112626	CUSTOM CUT LENGTH: SUPPLIED WITH 2X END CAPS PER LENGTH
	HCP-4112626-3M	3 METRE LENGTH: SUPPLIED WITH 6X END CAPS

MEASUREMENTS



SAMPLE INSTALLATION METHOD



10MM X 10MM CORNER ALUMINIUM PROFILE



PRODUCT DATA

10MM X 10MM	
MATERIAL	ALUMINIUM
COLOUR/FINISH	SILVER
AVAILABLE LENGTHS	UP TO 3000MM CONTINUOUS
LED STRIP TYPE	UP TO 6MM (W) X 2MM (H)
DIFFUSER TYPE	PC STANDARD
IP RATING	IP20

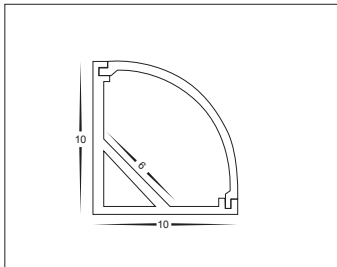
*Powder Coating Available**



PRODUCT ORDERING

ALUMINIUM SILVER		
	HCP-4211010	CUSTOM CUT LENGTH: SUPPLIED WITH 2X MOUNTING CLIPS PER METRE + 2X END CAPS PER LENGTH
	HCP-4211010-3M	3 METRE LENGTH: SUPPLIED WITH 6X MOUNTING CLIPS + 6X END CAPS

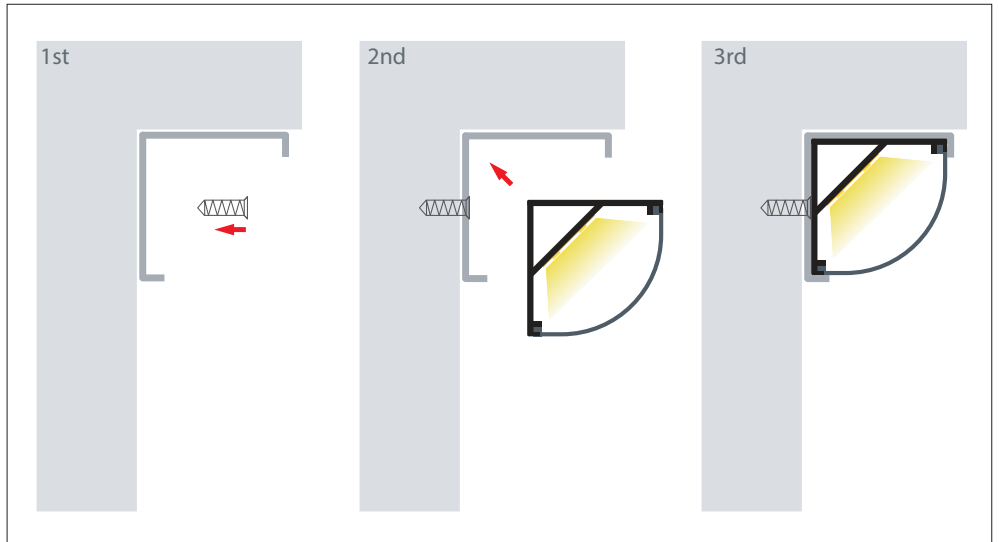
MEASUREMENTS



MOUNTING CLIPS



SAMPLE INSTALLATION METHOD

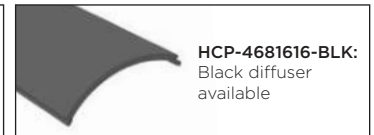
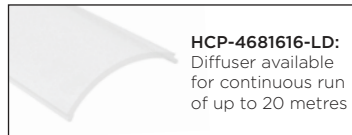


16MM X 16MM CORNER ALUMINIUM PROFILE






PRODUCT DATA

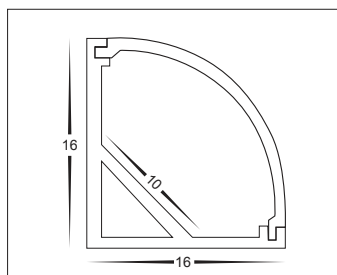
16MM X 16MM	
MATERIAL	ALUMINIUM
COLOUR/FINISH	SILVER, MATT BLACK OR MATT WHITE
AVAILABLE LENGTHS	UP TO 3000MM CONTINUOUS
LED STRIP TYPE	UP TO 10MM (W) X 3MM (H)
DIFFUSER TYPE	PC STANDARD
IP RATING	IP20



PRODUCT ORDERING

ALUMINIUM SILVER		
	HCP-4211616	CUSTOM CUT LENGTH: SUPPLIED WITH 2X MOUNTING CLIPS PER METRE + 2X END CAPS PER LENGTH
	HCP-4211616-3M	3M LENGTH: SUPPLIED WITH 6X MOUNTING CLIPS + 6X END CAPS
ALUMINIUM BLACK		
	HCP-4221616	CUSTOM CUT LENGTH: SUPPLIED WITH 2X MOUNTING CLIPS PER METRE + 2X END CAPS PER LENGTH
	HCP-4221616-3M	3 METRE LENGTH: SUPPLIED WITH 6X MOUNTING CLIPS + 6X END CAPS
ALUMINIUM WHITE		
	HCP-4231616	CUSTOM CUT LENGTH: SUPPLIED WITH 2X MOUNTING CLIPS PER METRE + 2X END CAPS PER LENGTH
	HCP-4231616-3M	3 METRE LENGTH: SUPPLIED WITH 6X MOUNTING CLIPS + 6X END CAPS

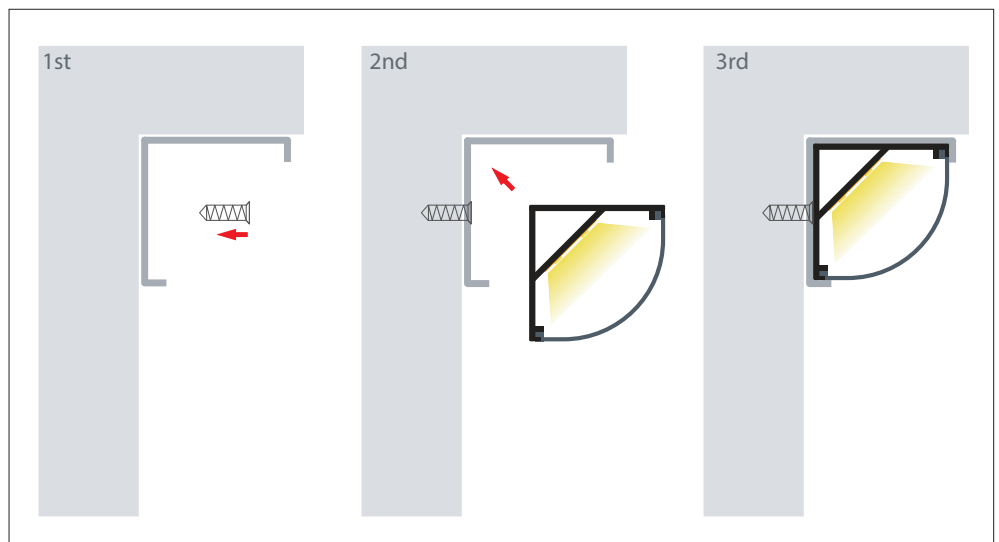
MEASUREMENTS



MOUNTING CLIPS



SAMPLE INSTALLATION METHOD



20MM X 20MM CORNER ALUMINIUM PROFILE



PRODUCT DATA

20MM X 20MM	
MATERIAL	ALUMINIUM
COLOUR/FINISH	SILVER
AVAILABLE LENGTHS	UP TO 3000MM CONTINUOUS
LED STRIP TYPE	UP TO 14MM (W) X 6MM (H)
DIFFUSER TYPE	PC STANDARD
IP RATING	IP20

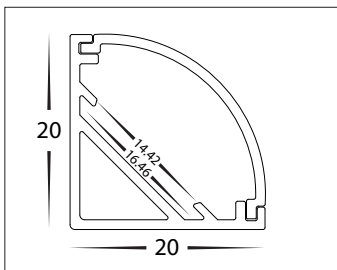
Powder Coating Available*



PRODUCT ORDERING

ALUMINIUM SILVER		
	HCP-4212020	CUSTOM CUT LENGTH: SUPPLIED WITH 2X MOUNTING CLIPS PER METRE + 2X END CAPS PER LENGTH
	HCP-4212020-3M	3M LENGTH: SUPPLIED WITH 6X MOUNTING CLIPS + 6X END CAPS

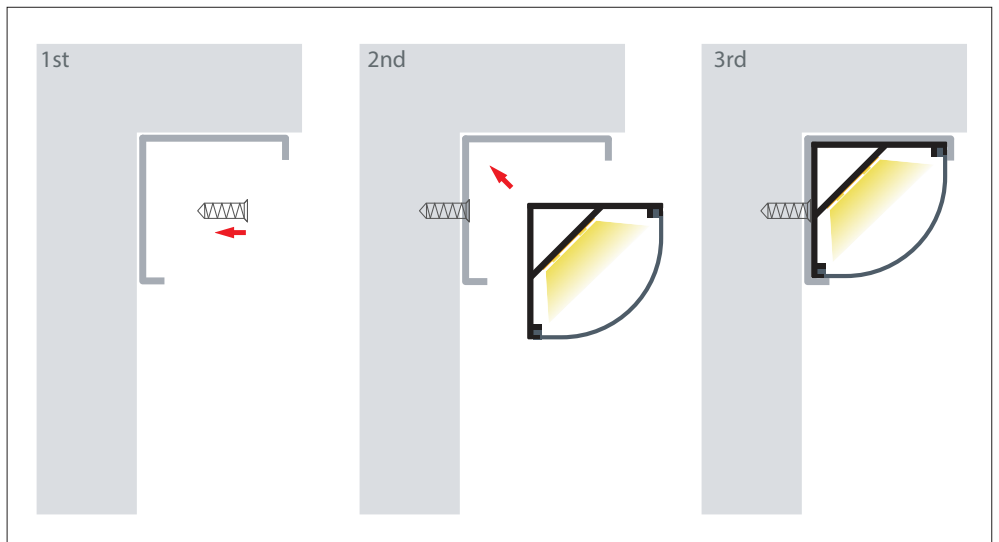
MEASUREMENTS



MOUNTING CLIPS



SAMPLE INSTALLATION METHOD



30MM X 30MM CORNER ALUMINIUM PROFILE



PRODUCT DATA

30MM X 30MM	
MATERIAL	ALUMINIUM
COLOUR/FINISH	SILVER
AVAILABLE LENGTHS	UP TO 3000MM CONTINUOUS
LED STRIP TYPE	UP TO 20MM (W) X 6MM (H)
DIFFUSER TYPE	PC STANDARD
IP RATING	IP20

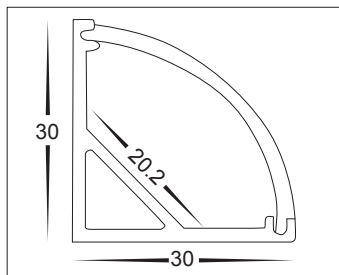
*Powder Coating Available**



PRODUCT ORDERING

ALUMINIUM SILVER		
	HCP-4213030	CUSTOM CUT LENGTH: SUPPLIED WITH 2X MOUNTING CLIPS PER METRE + 2X END CAPS PER LENGTH
	HCP-4213030-3M	3 METRE LENGTH: SUPPLIED WITH 6X MOUNTING CLIPS + 6X END CAPS

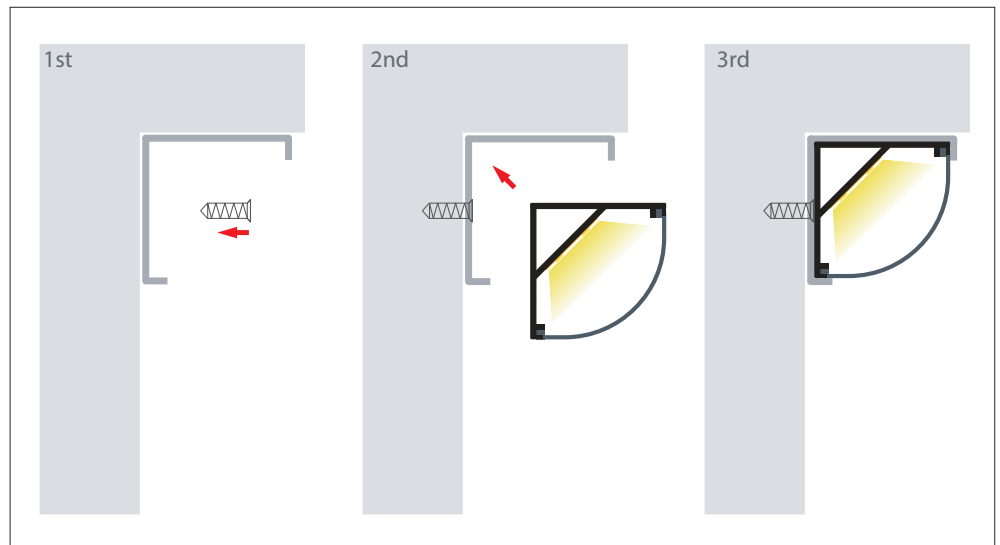
MEASUREMENTS



MOUNTING CLIPS



SAMPLE INSTALLATION METHOD



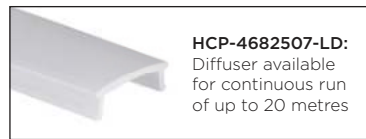
**Colour will vary from colour shown, additional charges will apply.*

25MM X 9MM RECESSED ALUMINIUM PROFILE






PRODUCT DATA

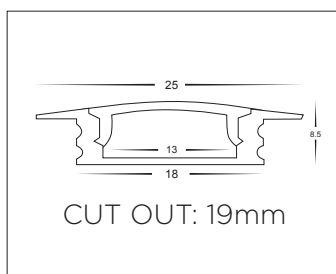
25MM X 9MM	
MATERIAL	ALUMINIUM
COLOUR/FINISH	SILVER, MATT BLACK OR MATT WHITE
AVAILABLE LENGTHS	UP TO 3000MM CONTINUOUS
LED STRIP TYPE	UP TO 12MM (W) X 3MM (H)
DIFFUSER TYPE	PC STANDARD
IP RATING	IP20



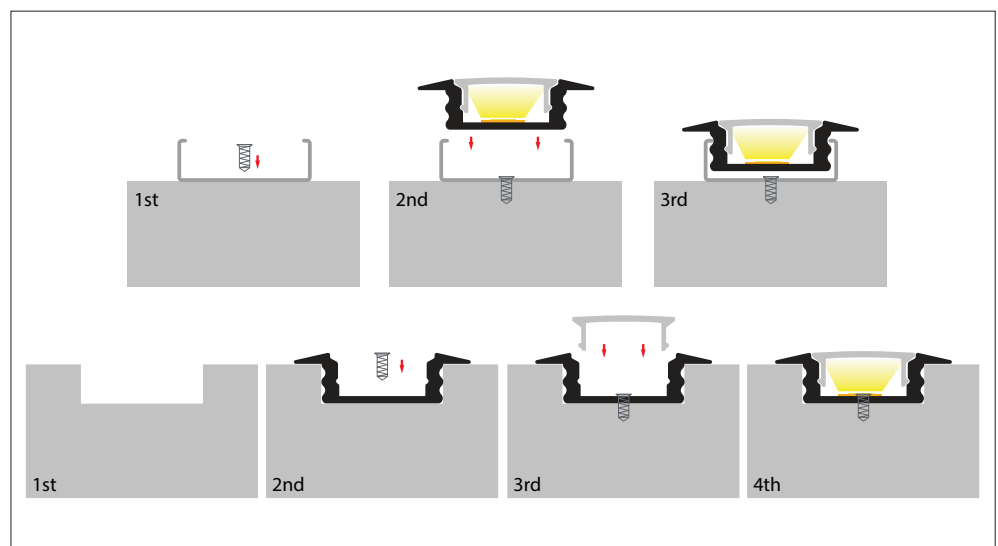
PRODUCT ORDERING

ALUMINIUM SILVER		
	HCP-4312507	CUSTOM CUT LENGTH: SUPPLIED WITH 2X MOUNTING CLIPS PER METRE + 2X END CAPS PER LENGTH
	HCP-4312507-3M	3 METRE LENGTH: SUPPLIED WITH 6X MOUNTING CLIPS + 6X END CAPS
ALUMINIUM BLACK		
	HCP-4322507	CUSTOM CUT LENGTH: SUPPLIED WITH 2X MOUNTING CLIPS PER METRE + 2X END CAPS PER LENGTH
	HCP-4322507-3M	3 METRE LENGTH: SUPPLIED WITH 6X MOUNTING CLIPS + 6X END CAPS
ALUMINIUM WHITE		
	HCP-4332507	CUSTOM CUT LENGTH: SUPPLIED WITH 2X MOUNTING CLIPS PER METRE + 2X END CAPS PER LENGTH
	HCP-4332507-3M	3 METRE LENGTH: SUPPLIED WITH 6X MOUNTING CLIPS + 6X END CAPS

MEASUREMENTS



SAMPLE INSTALLATION METHOD



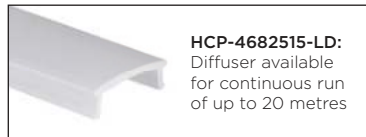
14
ALUMINIUM PROFILE

25MM X 16MM RECESSED ALUMINIUM PROFILE



PRODUCT DATA

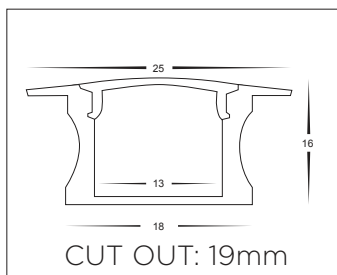
25MM X 16MM	
MATERIAL	ALUMINIUM
COLOUR/FINISH	SILVER, MATT BLACK OR MATT WHITE
AVAILABLE LENGTHS	UP TO 3000MM CONTINUOUS
LED STRIP TYPE	UP TO 12MM (W) X 3MM (H)
DIFFUSER TYPE	PC STANDARD
IP RATING	IP20



PRODUCT ORDERING

ALUMINIUM SILVER		
	HCP-4312515	CUSTOM CUT LENGTH: SUPPLIED WITH 2X MOUNTING CLIPS PER METRE + 2X END CAPS PER LENGTH
	HCP-4312515-3M	3 METRE LENGTH: SUPPLIED WITH 6X MOUNTING CLIPS + 6X END CAPS
ALUMINIUM BLACK		
	HCP-4322515	CUSTOM CUT LENGTH: SUPPLIED WITH 2X MOUNTING CLIPS PER METRE + 2X END CAPS PER LENGTH
	HCP-4322515-3M	3 METRE LENGTH: SUPPLIED WITH 6X MOUNTING CLIPS + 6X END CAPS
ALUMINIUM WHITE		
	HCP-4332515	CUSTOM CUT LENGTH: SUPPLIED WITH 2X MOUNTING CLIPS PER METRE + 2X END CAPS PER LENGTH
	HCP-4332515-3M	3 METRE LENGTH: SUPPLIED WITH 6X MOUNTING CLIPS + 6X END CAPS

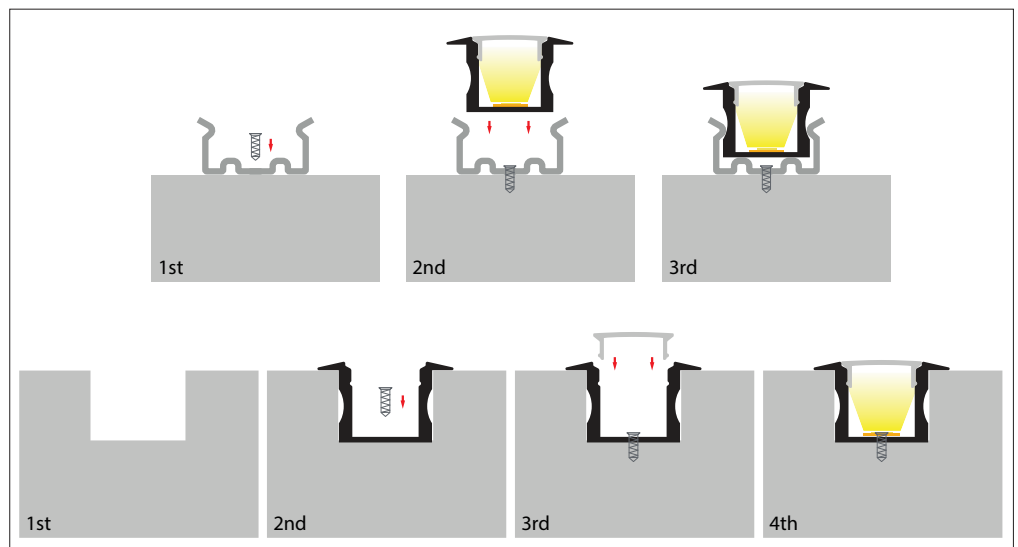
MEASUREMENTS



MOUNTING CLIPS



SAMPLE INSTALLATION METHOD



30MM X 10MM RECESSED ALUMINIUM PROFILE



Powder Coating Available*



PRODUCT DATA

30MM X 10MM	
MATERIAL	ALUMINIUM
COLOUR/FINISH	SILVER
AVAILABLE LENGTHS	UP TO 3000MM CONTINUOUS
LED STRIP TYPE	UP TO 20MM (W) X 6MM (H)
DIFFUSER TYPE	PC STANDARD
IP RATING	IP20

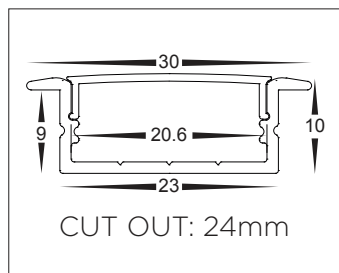


HCP-4682810-LD:
Diffuser available for continuous run of up to 20 metres

PRODUCT ORDERING

ALUMINIUM SILVER		
	HCP-4312810	CUSTOM CUT LENGTH: SUPPLIED WITH 2X MOUNTING CLIPS PER METRE + 2X END CAPS PER LENGTH
	HCP-4312810-3M	3 METRE LENGTH: SUPPLIED WITH 6X MOUNTING CLIPS + 6X END CAPS

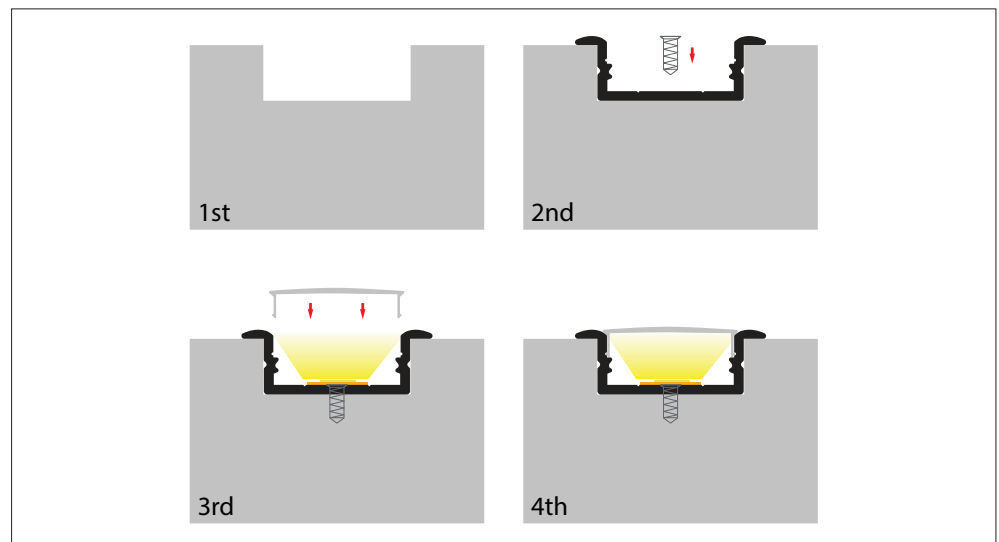
MEASUREMENTS



MOUNTING CLIPS

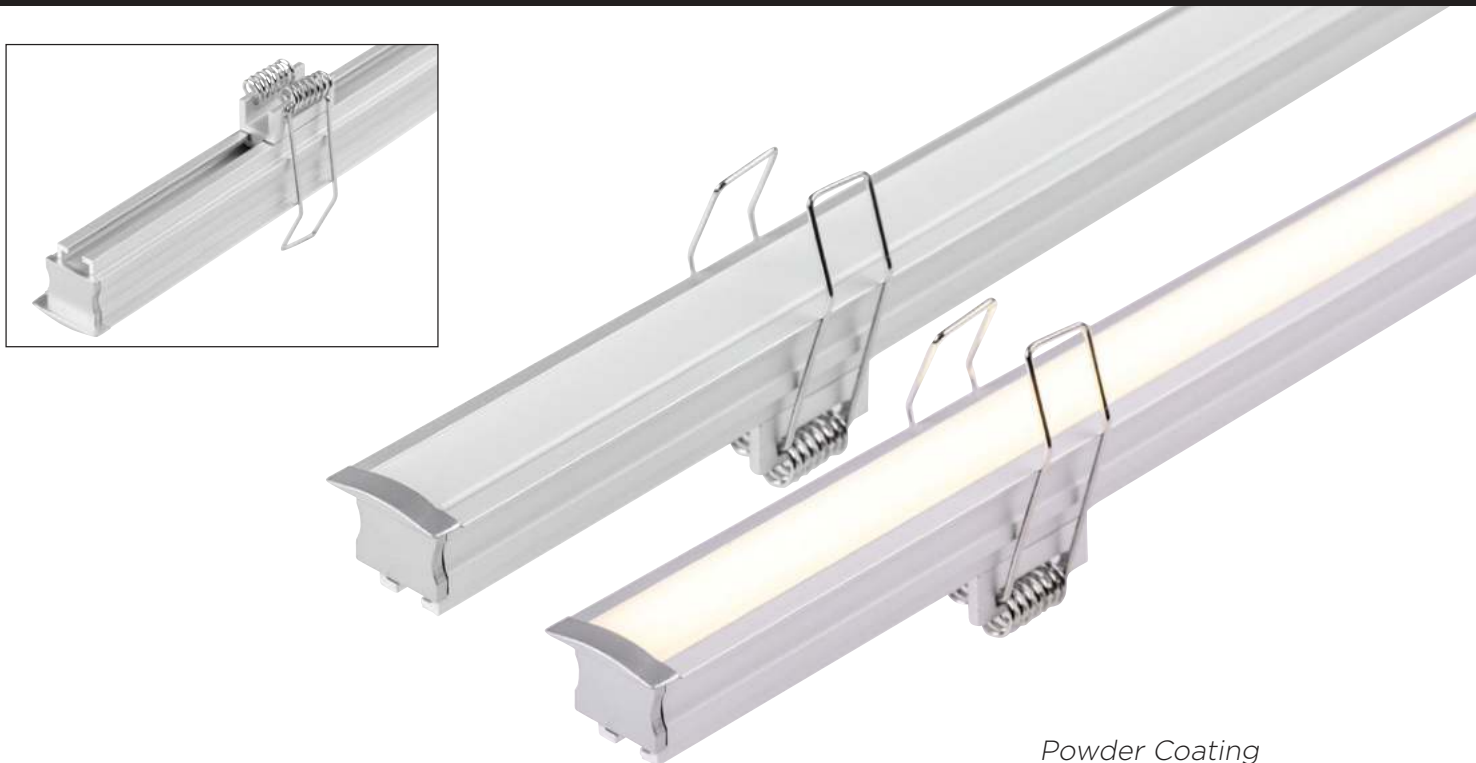


SAMPLE INSTALLATION METHOD



*Colour will vary from colour shown, additional charges will apply.

25MM X 20MM RECESSED ALUMINIUM PROFILE



Powder Coating Available*



PRODUCT DATA

25MM X 20MM	
MATERIAL	ALUMINIUM
COLOUR/FINISH	SILVER
AVAILABLE LENGTHS	UP TO 3000MM CONTINUOUS
LED STRIP TYPE	UP TO 12MM (W) X 3MM (H)
DIFFUSER TYPE	PC STANDARD
IP RATING	IP20

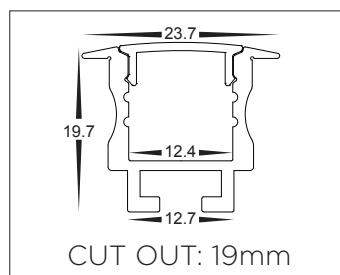


HCP-4682520-LD:
Diffuser available for continuous run of up to 20 metres

PRODUCT ORDERING

ALUMINIUM SILVER		
	HCP-4312520	CUSTOM CUT LENGTH: SUPPLIED WITH 2X SPRING CLIPS PER METRE + 2X END CAPS PER LENGTH
	HCP-4312520-3M	3 METRE LENGTH: SUPPLIED WITH 6X SPRING CLIPS + 6X END CAPS

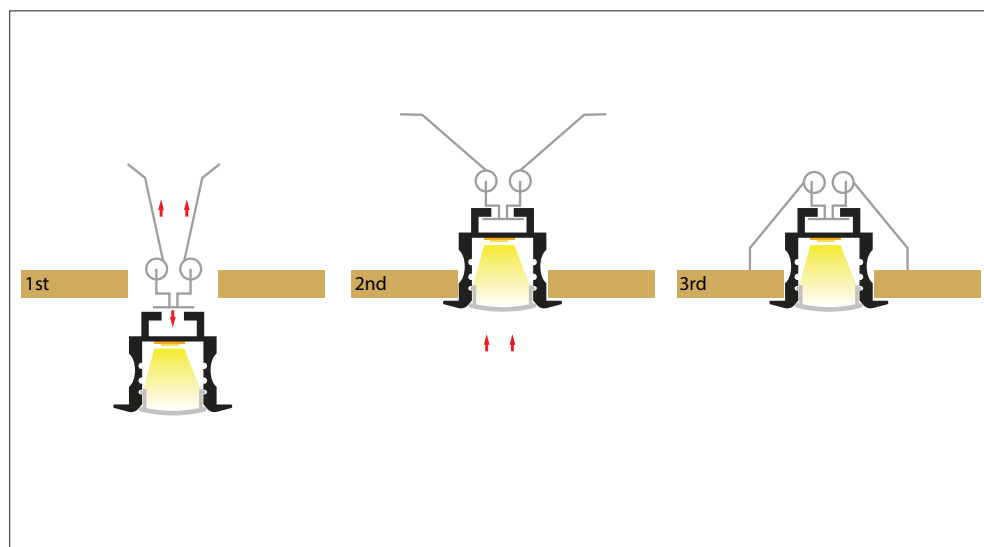
MEASUREMENTS



SPRING CLIPS



SAMPLE INSTALLATION METHOD



*Colour will vary from colour shown, additional charges will apply.

29MM X 26MM RECESSED ALUMINIUM PROFILE



PRODUCT DATA

29MM X 26MM	
MATERIAL	ALUMINIUM
COLOUR/FINISH	SILVER, MATT BLACK, MATT WHITE
AVAILABLE LENGTHS	UP TO 3000MM CONTINUOUS
LED STRIP TYPE	UP TO 12MM (W) X 3MM (H)
DIFFUSER TYPE	PC STANDARD
IP RATING	IP20

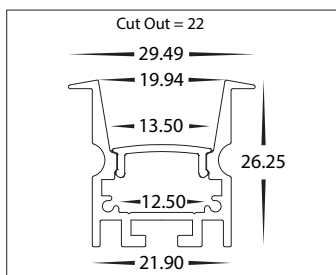


HCP-4682926-LD:
Diffuser available for continuous run of up to 20 metres

PRODUCT ORDERING

ALUMINIUM SILVER		
	HCP-4312926	CUSTOM CUT LENGTH: SUPPLIED WITH 2X SPRING CLIPS PER METRE + 2X END CAPS PER LENGTH
	HCP-4312926-3M	3M LENGTH: SUPPLIED WITH 6X SPRING CLIPS + 6X END CAPS
ALUMINIUM BLACK		
	HCP-4322926	CUSTOM CUT LENGTH: SUPPLIED WITH 2X SPRING CLIPS PER METRE + 2X END CAPS PER LENGTH
	HCP-4322926-3M	3M LENGTH: SUPPLIED WITH 6X SPRING CLIPS + 6X END CAPS
ALUMINIUM WHITE		
	HCP-4332926	CUSTOM CUT LENGTH: SUPPLIED WITH 2X SPRING CLIPS PER METRE + 2X END CAPS PER LENGTH
	HCP-4332926-3M	3M LENGTH: SUPPLIED WITH 6X SPRING CLIPS + 6X END CAPS

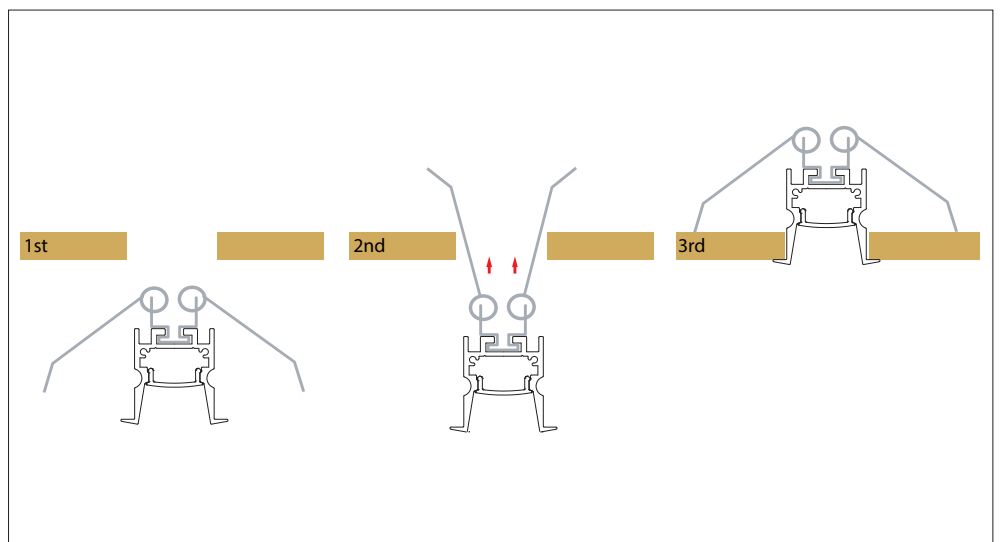
MEASUREMENTS



SPRING CLIPS

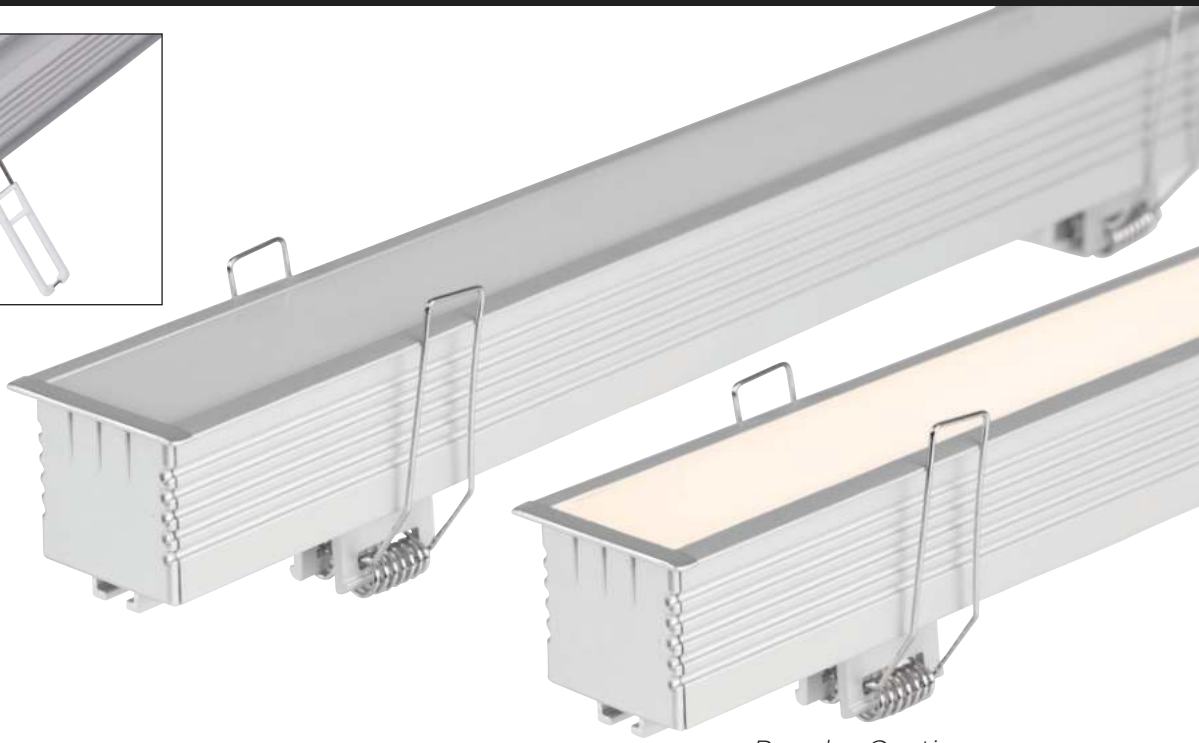
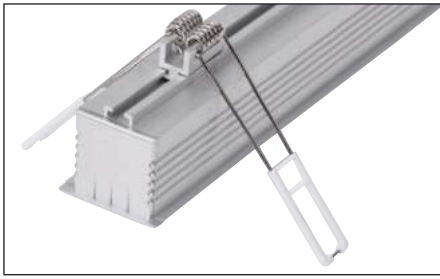


SAMPLE INSTALLATION METHOD



*Colour will vary from colour shown, additional charges will apply.

45MM X 40MM RECESSED ALUMINIUM PROFILE



Powder Coating Available*



PRODUCT DATA

45MM X 40MM	
MATERIAL	ALUMINIUM
COLOUR/FINISH	SILVER
AVAILABLE LENGTHS	UP TO 3000MM CONTINUOUS
LED STRIP TYPE	UP TO 30MM (W) X 6MM (H)
DIFFUSER TYPE	PC STANDARD
IP RATING	IP20

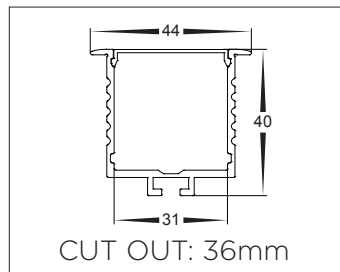


HCP-4684540-LD:
Diffuser available for continuous run of up to 20 metres

PRODUCT ORDERING

ALUMINIUM SILVER		
	HCP-4314540	CUSTOM CUT LENGTH: SUPPLIED WITH 2X SPRING CLIPS PER METRE + 2X END CAPS PER LENGTH
	HCP-4314540-3M	3 METRE LENGTH: SUPPLIED WITH 6X SPRING CLIPS + 6X END CAPS

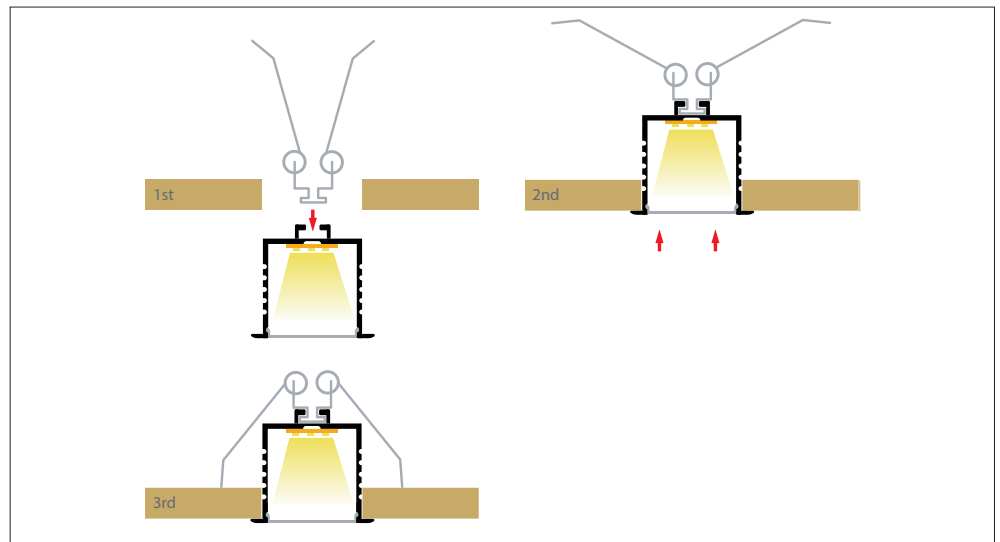
MEASUREMENTS



SPRING CLIPS



SAMPLE INSTALLATION METHOD



*Colour will vary from colour shown, additional charges will apply.

100MM X 35MM RECESSED ALUMINIUM PROFILE



Shown With Spring Clips



Powder Coating Available*



PRODUCT DATA

100MM X 35MM	
MATERIAL	ALUMINIUM
COLOUR/FINISH	SILVER
AVAILABLE LENGTHS	UP TO 3000MM CONTINUOUS
LED STRIP TYPE	UP TO 45MM (W) X 6MM (H)
DIFFUSER TYPE	PC STANDARD
IP RATING	IP20

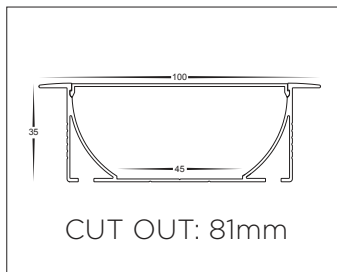


HCP-4689835-LD:
Diffuser available for continuous run of up to 20 metres

PRODUCT ORDERING

ALUMINIUM SILVER		
	HCP-4319835	CUSTOM CUT LENGTH: SUPPLIED WITH 2X END CAPS PER LENGTH
	HCP-4319835-3M	3 METRE LENGTH: SUPPLIED WITH 6X END CAPS

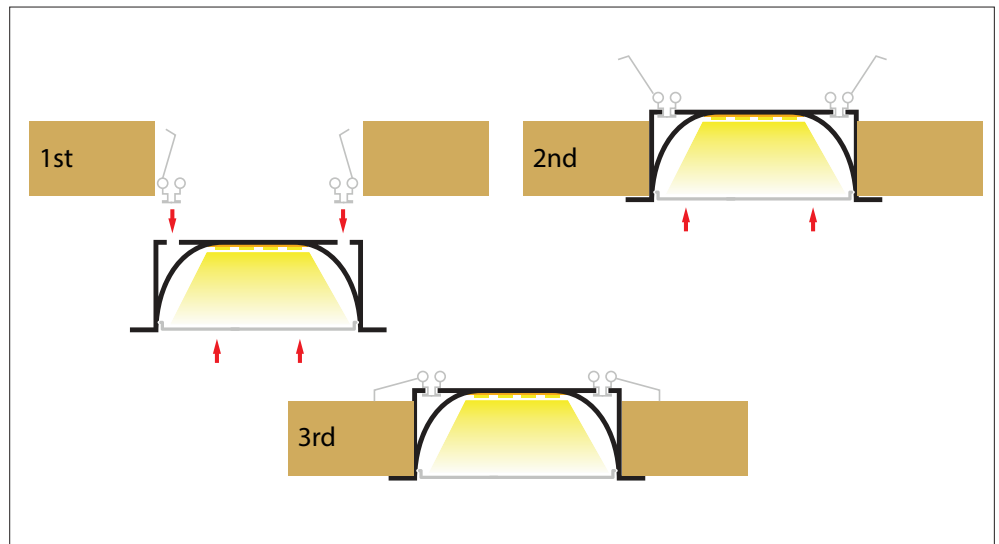
MEASUREMENTS



SPRING CLIPS



SAMPLE INSTALLATION METHOD



*Colour will vary from colour shown, additional charges will apply.

18MM X 96MM SUSPENDED ALUMINIUM PROFILE





PRODUCT DATA

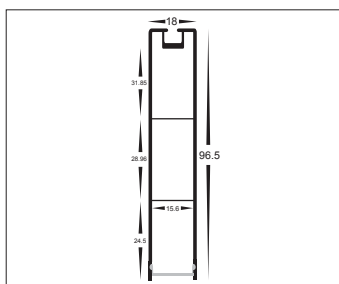
18MM X 96MM	
MATERIAL	ALUMINIUM
COLOUR/FINISH	MATT BLACK OR MATT WHITE
AVAILABLE LENGTHS	UP TO 3000MM CONTINUOUS
LED STRIP TYPE	UP TO 14MM (W) X 6MM (H)
DIFFUSER TYPE	STANDARD PC
IP RATING	IP20



PRODUCT ORDERING

ALUMINIUM BLACK		
	HCP-4421896	CUSTOM CUT LENGTH: SUPPLIED WITH 2X END CAPS PER LENGTH
	HCP-4421896-3M	3 METRE LENGTH: SUPPLIED WITH 6X END CAPS
ALUMINIUM WHITE		
	HCP-4431896	CUSTOM CUT LENGTH: SUPPLIED WITH 2X END CAPS PER LENGTH
	HCP-4431896-3M	3 METRE LENGTH: SUPPLIED WITH 6X END CAPS

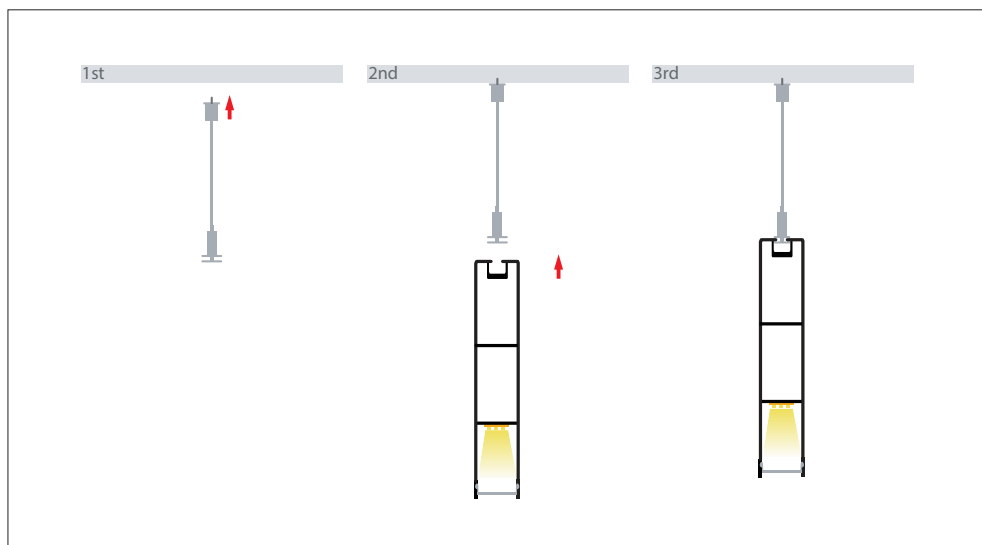
MEASUREMENTS



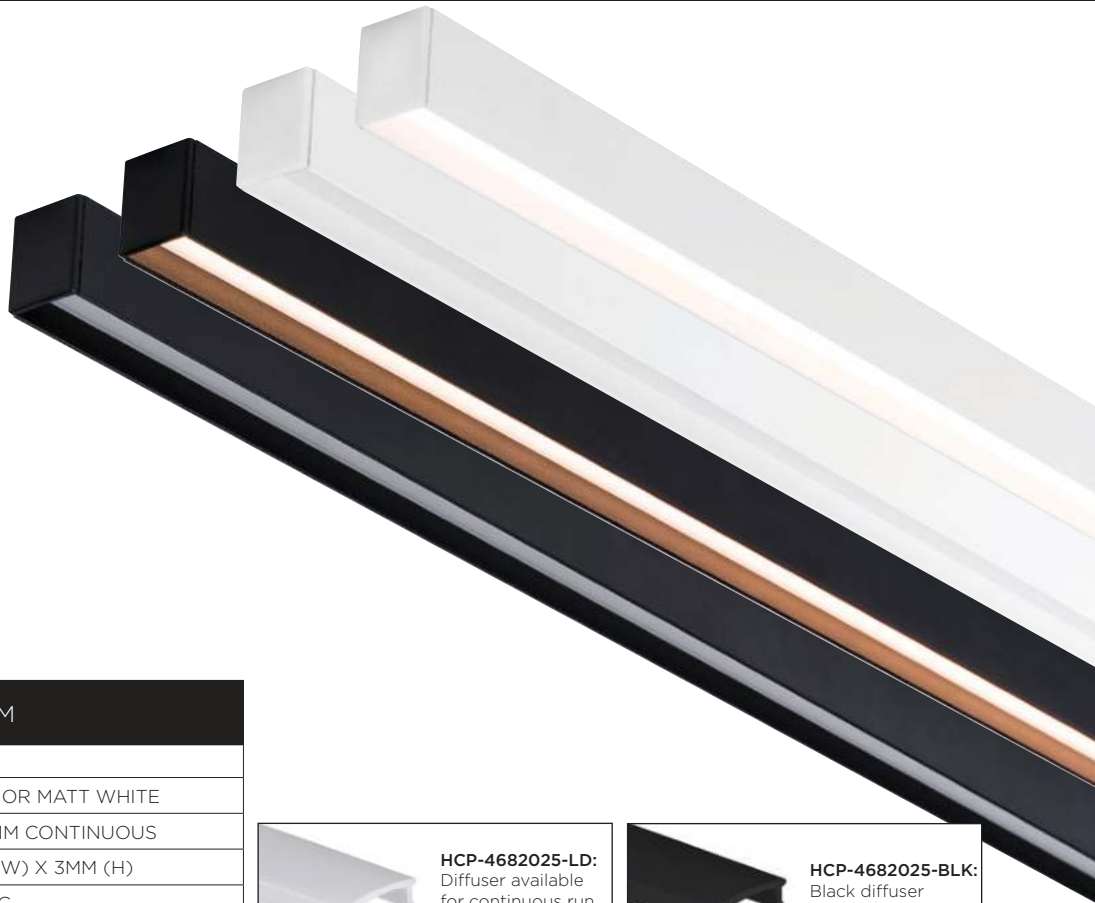
SUSPENSION KIT



SAMPLE INSTALLATION METHOD

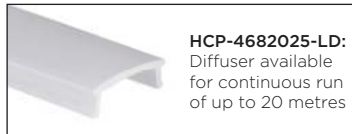


20MM X 25MM SUSPENDED ALUMINIUM PROFILE



PRODUCT DATA

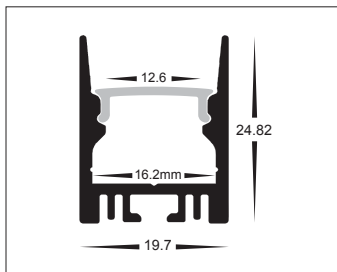
20MM X 25MM	
MATERIAL	ALUMINIUM
COLOUR/FINISH	MATT BLACK OR MATT WHITE
AVAILABLE LENGTHS	UP TO 3000MM CONTINUOUS
LED STRIP TYPE	UP TO 14MM (W) X 3MM (H)
DIFFUSER TYPE	STANDARD PC
IP RATING	IP20



PRODUCT ORDERING

ALUMINIUM BLACK		
	HCP-4422025	CUSTOM CUT LENGTH: SUPPLIED WITH 2X MOUNTING CLIPS PER METRE + 2X END CAPS PER LENGTH
	HCP-4422025-3M	3 METRE LENGTH: SUPPLIED WITH 6X MOUNTING CLIPS + 6X END CAPS
ALUMINIUM WHITE		
	HCP-4432025	CUSTOM CUT LENGTH: SUPPLIED WITH 2X MOUNTING CLIPS PER METRE + 2X END CAPS PER LENGTH
	HCP-4432025-3M	3 METRE LENGTH: SUPPLIED WITH 6X MOUNTING CLIPS + 6X END CAPS

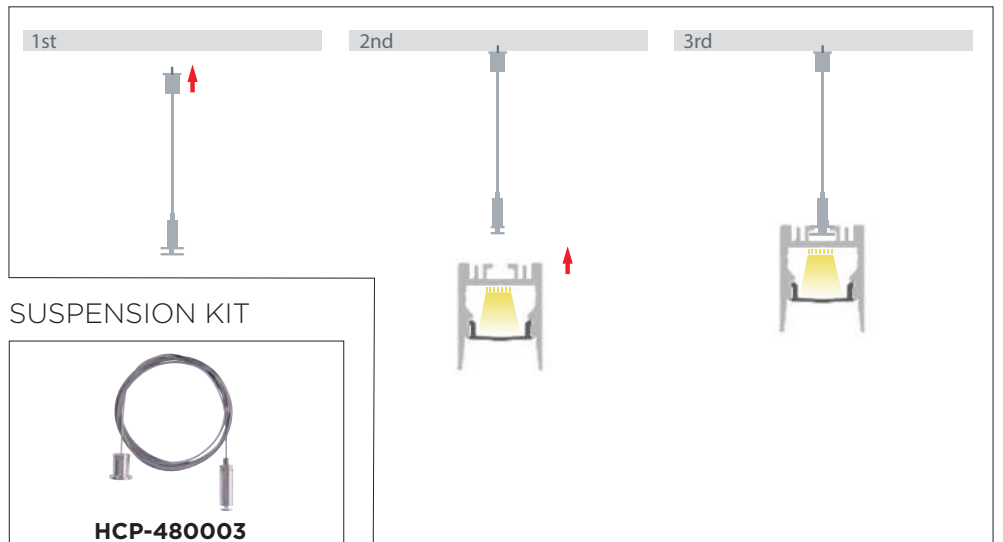
MEASUREMENTS



MOUNTING CLIPS



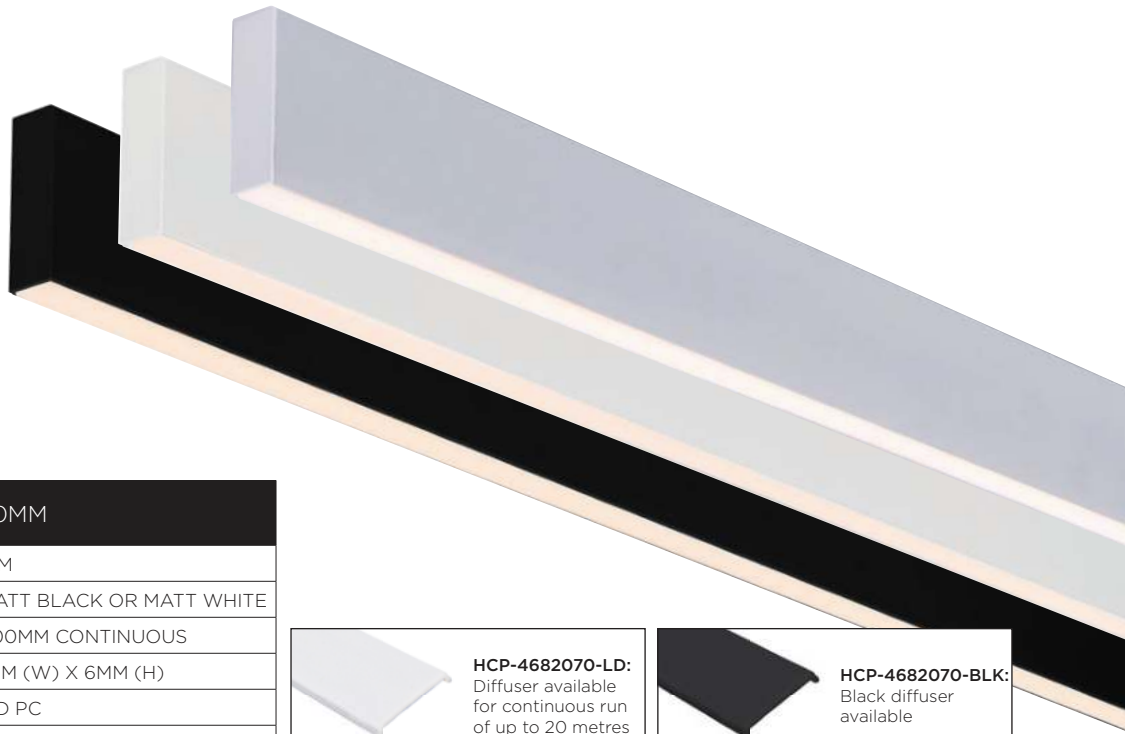
SAMPLE INSTALLATION METHOD



SUSPENSION KIT

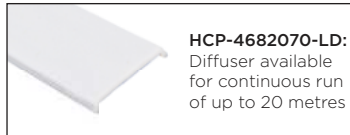


20MM X 70MM SUSPENDED ALUMINIUM PROFILE



PRODUCT DATA

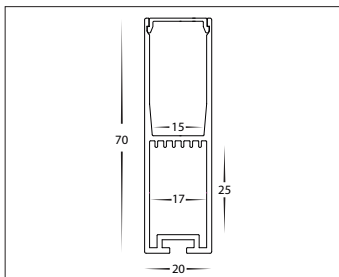
20MM X 70MM	
MATERIAL	ALUMINIUM
COLOUR/FINISH	SILVER, MATT BLACK OR MATT WHITE
AVAILABLE LENGTHS	UP TO 3000MM CONTINUOUS
LED STRIP TYPE	UP TO 14MM (W) X 6MM (H)
DIFFUSER TYPE	STANDARD PC
IP RATING	IP20



PRODUCT ORDERING

ALUMINIUM SILVER		
	HCP-4412070	CUSTOM CUT LENGTH: SUPPLIED WITH 2X END CAPS PER LENGTH
	HCP-4412070-3M	3 METRE LENGTH: SUPPLIED WITH 6X END CAPS
ALUMINIUM BLACK		
	HCP-4422070	CUSTOM CUT LENGTH: SUPPLIED WITH 2X END CAPS PER LENGTH
	HCP-4422070-3M	3 METRE LENGTH: SUPPLIED WITH 6X END CAPS
ALUMINIUM WHITE		
	HCP-4432070	CUSTOM CUT LENGTH: SUPPLIED WITH 2X END CAPS PER LENGTH
	HCP-4432070-3M	3 METRE LENGTH: SUPPLIED WITH 6X END CAPS
JOINER		
	HCP-4412070-JOINER	JOINER KIT TO ALLOW MULTIPLE LENGTHS TO BE JOINED TO FORM A CONTINUOUS RUN.

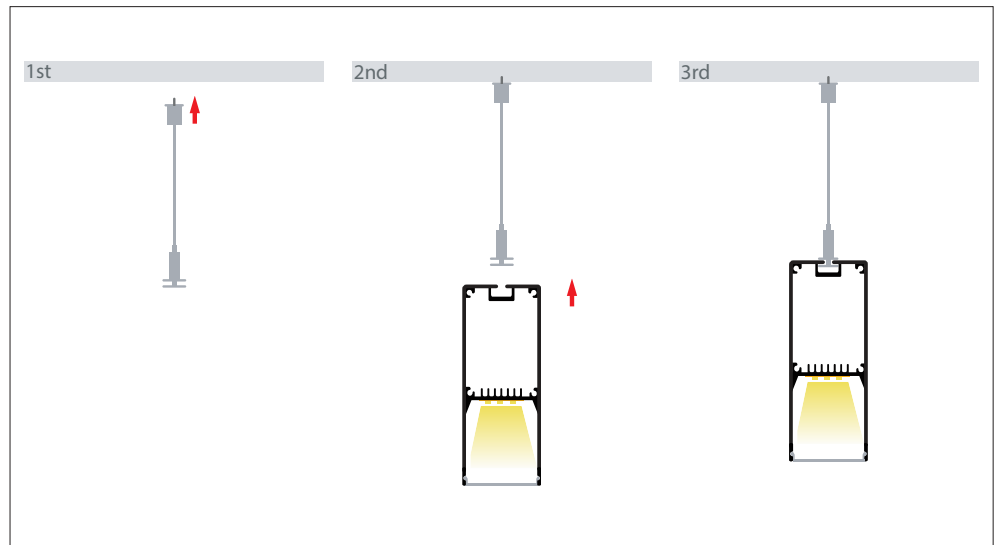
MEASUREMENTS



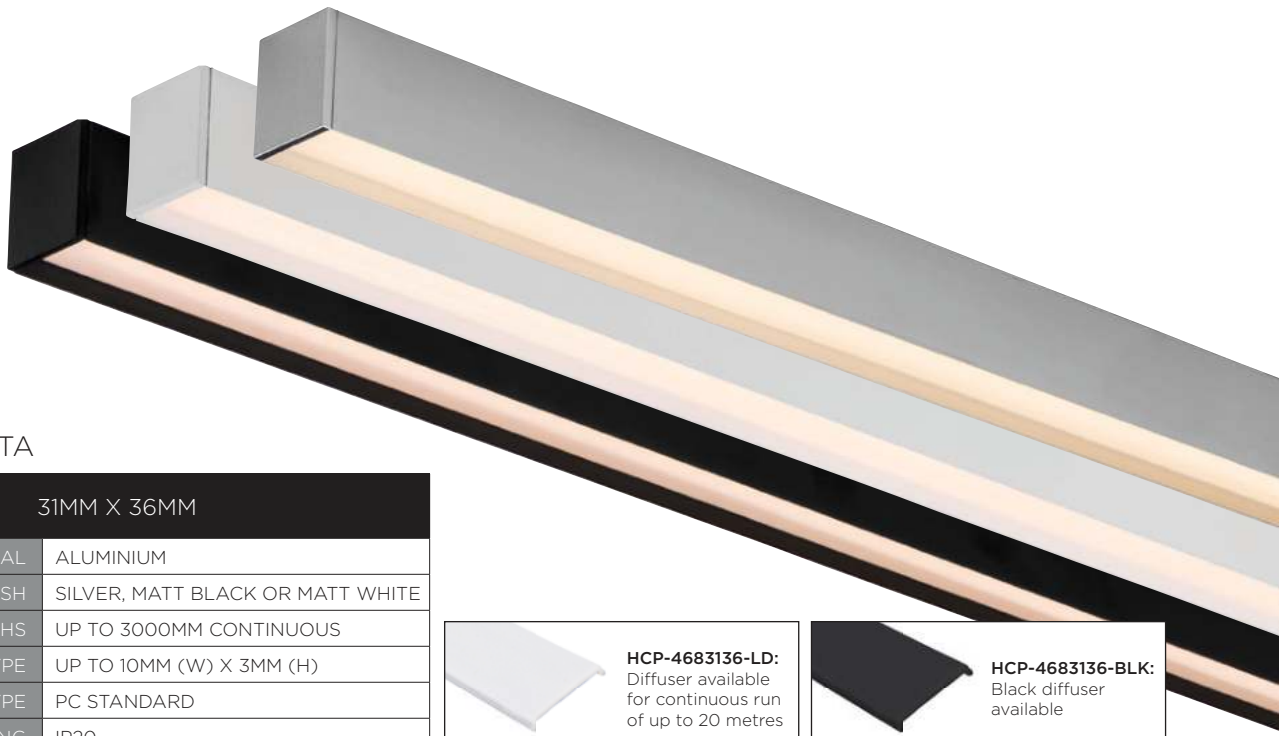
SUSPENSION KIT



SAMPLE INSTALLATION METHOD

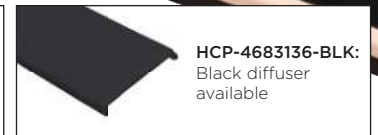
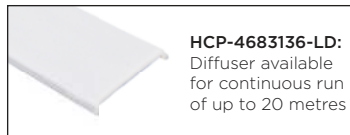


31MM X 36MM SUSPENDED ALUMINIUM PROFILE





PRODUCT DATA

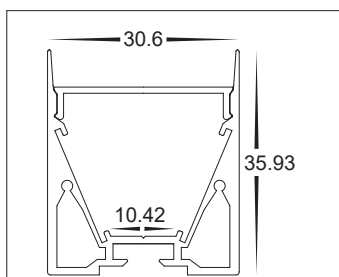
31MM X 36MM	
MATERIAL	ALUMINIUM
COLOUR/FINISH	SILVER, MATT BLACK OR MATT WHITE
AVAILABLE LENGTHS	UP TO 3000MM CONTINUOUS
LED STRIP TYPE	UP TO 10MM (W) X 3MM (H)
DIFFUSER TYPE	PC STANDARD
IP RATING	IP20



PRODUCT ORDERING

ALUMINIUM SILVER		
	HCP-4413136	CUSTOM CUT LENGTH: SUPPLIED WITH 2X END CAPS PER LENGTH
	HCP-4413136-3M	3 METRE LENGTH: SUPPLIED WITH 6X END CAPS
ALUMINIUM BLACK		
	HCP-4423136	CUSTOM CUT LENGTH: SUPPLIED WITH 2X END CAPS PER LENGTH
	HCP-4423136-3M	3 METRE LENGTH: SUPPLIED WITH 6X END CAPS
ALUMINIUM WHITE		
	HCP-4433136	CUSTOM CUT LENGTH: SUPPLIED WITH 2X END CAPS PER LENGTH
	HCP-4433136-3M	3 METRE LENGTH: SUPPLIED WITH 6X END CAPS
JOINER		
	HCP-4413136-JOINER	JOINER KIT TO ALLOW MULTIPLE LENGTHS TO BE JOINED TO FORM A CONTINUOUS RUN.

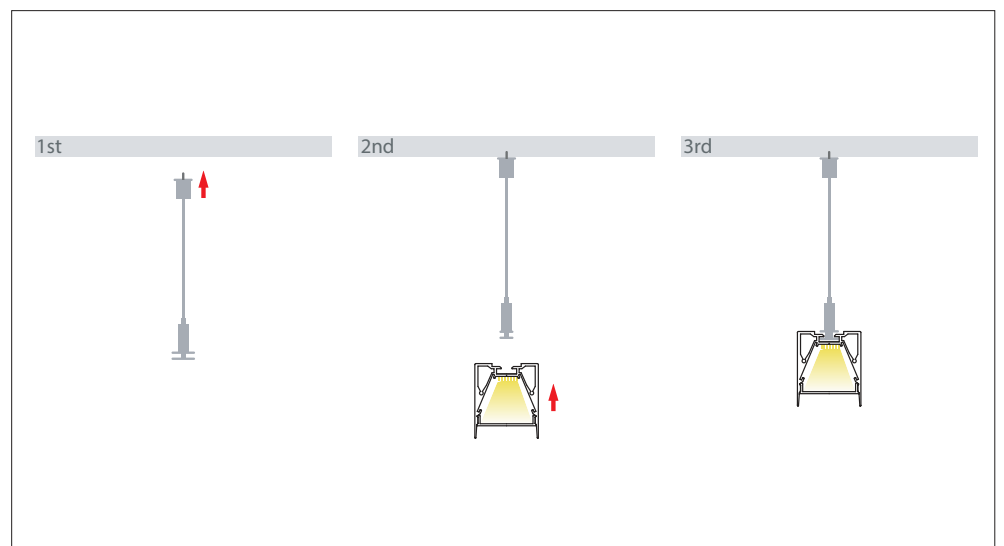
MEASUREMENTS



SUSPENSION KIT



SAMPLE INSTALLATION METHOD






32MM X 35MM SUSPENDED ALUMINIUM PROFILE



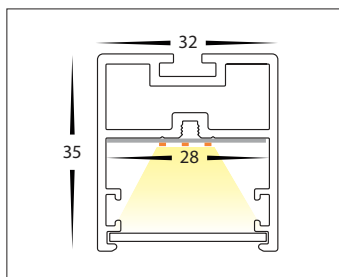
PRODUCT DATA

32MM X 35MM	
MATERIAL	ALUMINIUM
COLOUR/FINISH	MATT BLACK
AVAILABLE LENGTHS	UP TO 2400MM CONTINUOUS + CURVED SHAPES
LED STRIP TYPE	UP TO 25MM (W) X 6MM (H)
DIFFUSER TYPE	PC STANDARD
IP RATING	IP20

PRODUCT ORDERING

ALUMINIUM BLACK		
	HCP-4423235	CUSTOM CUT LENGTH: SUPPLIED WITH 2X END CAPS PER LENGTH
JOINERS + LONG DIFFUSERS		
	HCP-4423235-JOINER	STRAIGHT JOINER
	HCP-4683235-LD	SILICON DIFFUSER UP TO 20M LENGTH

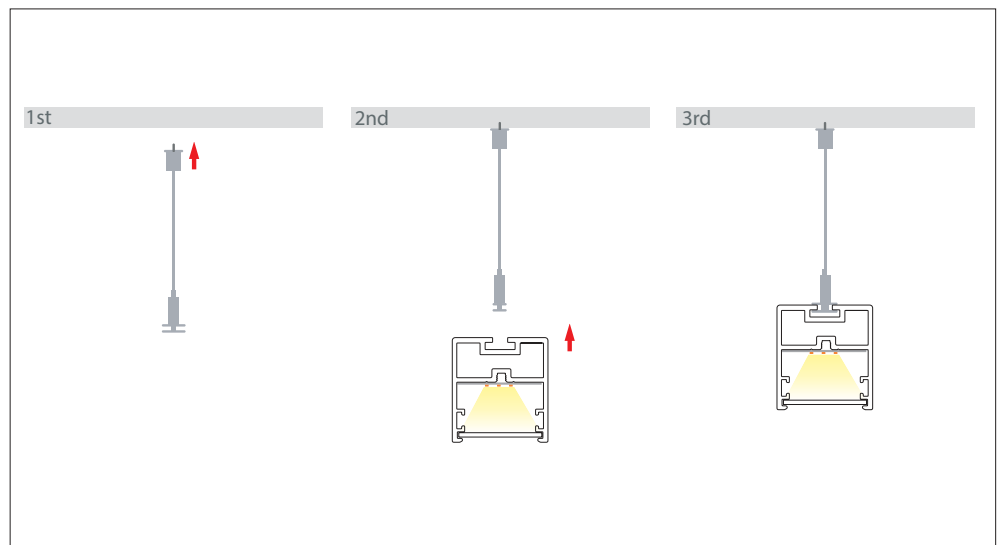
MEASUREMENTS



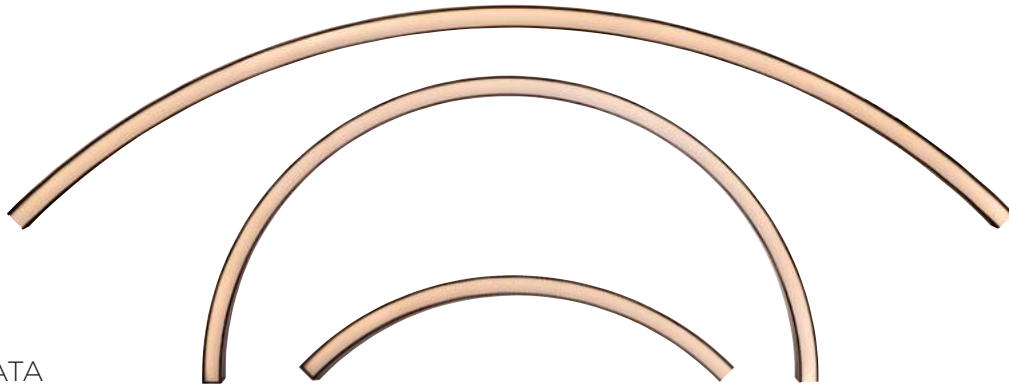
SUSPENSION KIT



SAMPLE INSTALLATION METHOD








32MM X 35MM CURVED SECTIONS ALUMINIUM PROFILE



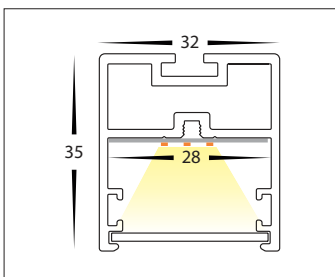
PRODUCT DATA

32MM X 35MM	
MATERIAL	ALUMINIUM
COLOUR/FINISH	MATT BLACK
AVAILABLE LENGTHS	UP TO 2400MM CONTINUOUS + CURVED SHAPES
LED STRIP TYPE	UP TO 25MM (W) X 6MM (H)
DIFFUSER TYPE	PC STANDARD
IP RATING	IP20

PRODUCT ORDERING

ALUMINIUM BLACK		
	HCP-4423235-1-1/4	1/4 CURVED ALUMINIUM WITH DIFFUSER
	HCP-4423235-1-1/2	1/2 CURVED ALUMINIUM WITH DIFFUSER
	HCP-4423235-2-1/4	1/4 CURVED ALUMINIUM WITH DIFFUSER
JOINERS + LONG DIFFUSERS		
	HCP-4423235-JOINER	STRAIGHT JOINER
	HCP-4683235-LD	SILICON DIFFUSER UP TO 20M LENGTH

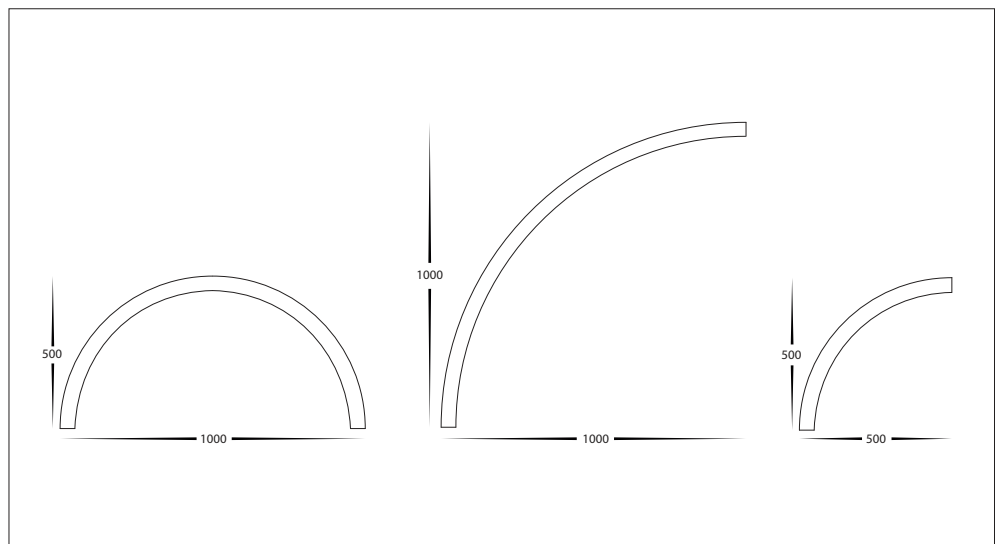
MEASUREMENTS



SUSPENSION KIT



SAMPLE INSTALLATION METHOD

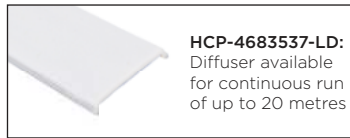


35MM X 37MM SUSPENDED ALUMINIUM PROFILE



PRODUCT DATA

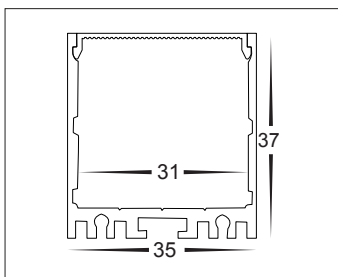
35MM X 37MM	
MATERIAL	ALUMINIUM
COLOUR/FINISH	SILVER, MATT BLACK OR MATT WHITE
AVAILABLE LENGTHS	UP TO 3000MM CONTINUOUS
LED STRIP TYPE	UP TO 30MM (W) X 6MM (H)
DIFFUSER TYPE	PC STANDARD
IP RATING	IP20



PRODUCT ORDERING

ALUMINIUM SILVER		
	HCP-4413537	CUSTOM CUT LENGTH: SUPPLIED WITH 2X END CAPS PER LENGTH
	HCP-4413537-3M	3 METRE LENGTH: SUPPLIED WITH 6X END CAPS
ALUMINIUM BLACK		
	HCP-4423537	CUSTOM CUT LENGTH: SUPPLIED WITH 2X END CAPS PER LENGTH
	HCP-4423537-3M	3 METRE LENGTH: SUPPLIED WITH 6X END CAPS
ALUMINIUM WHITE		
	HCP-4433537	CUSTOM CUT LENGTH: SUPPLIED WITH 2X END CAPS PER LENGTH
	HCP-4433537-3M	3 METRE LENGTH: SUPPLIED WITH 6X END CAPS
JOINER		
	HCP-4413537-JOINER	JOINER KIT TO ALLOW MULTIPLE LENGTHS TO BE JOINED TO FORM A CONTINUOUS RUN.

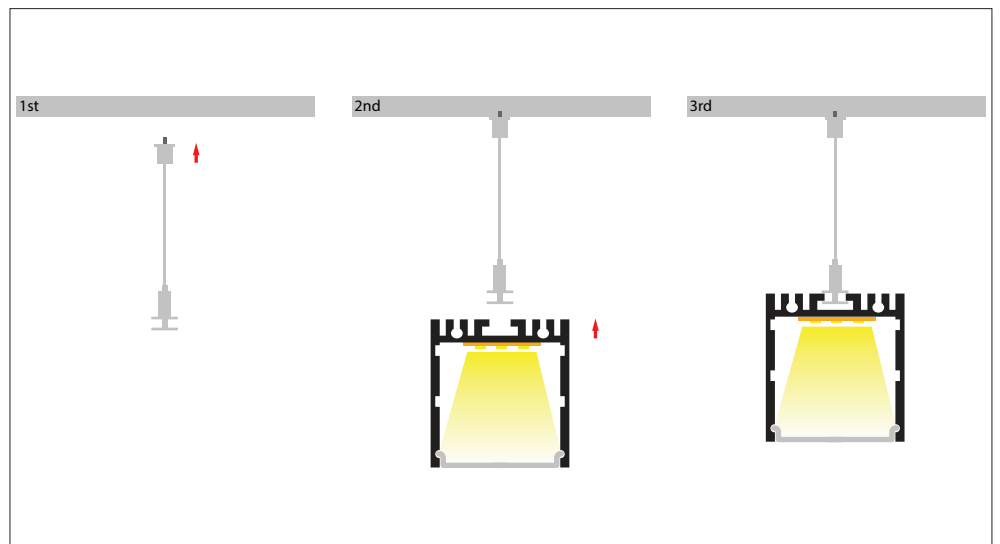
MEASUREMENTS



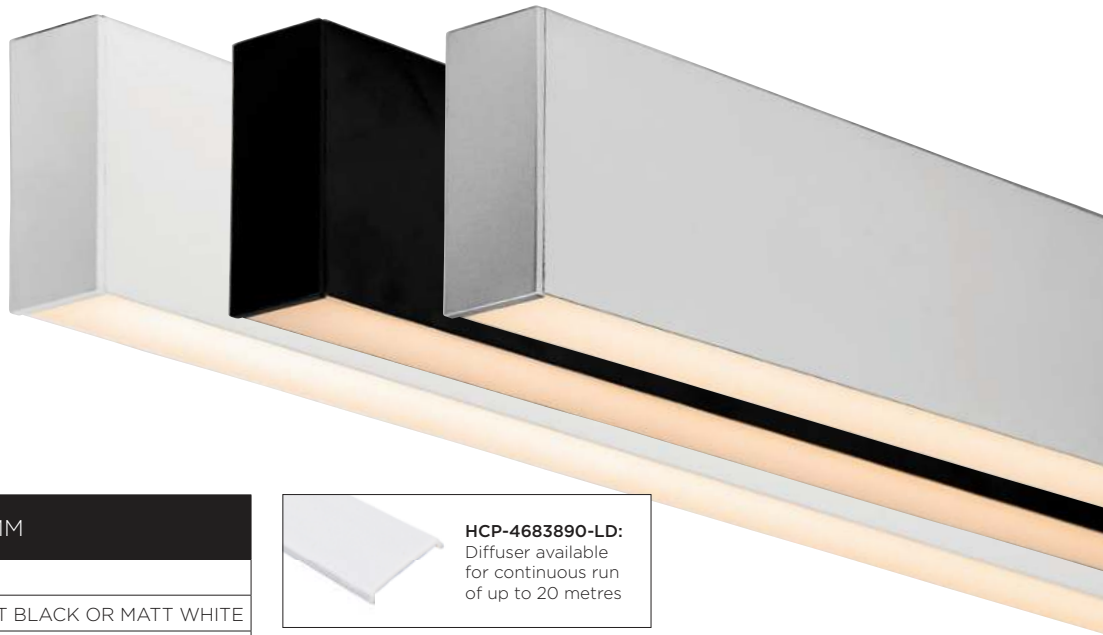
SUSPENSION KIT



SAMPLE INSTALLATION METHOD

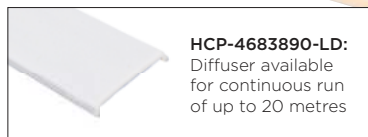


38MM X 90MM SUSPENDED ALUMINIUM PROFILE



PRODUCT DATA

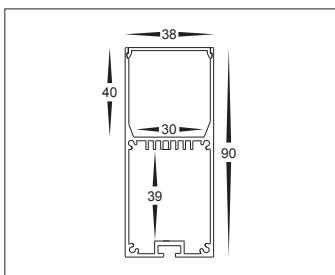
38MM X 90MM	
MATERIAL	ALUMINIUM
COLOUR/FINISH	SILVER, MATT BLACK OR MATT WHITE
AVAILABLE LENGTHS	UP TO 3000MM CONTINUOUS
LED STRIP TYPE	UP TO 30MM (W) X 6MM (H)
DIFFUSER TYPE	PC STANDARD
IP RATING	IP20



PRODUCT ORDERING

ALUMINIUM SILVER		
	HCP-4413890	CUSTOM CUT LENGTH: SUPPLIED WITH 2X END CAPS PER LENGTH
	HCP-4413890-3M	3 METRE LENGTH: SUPPLIED WITH 6X END CAPS
ALUMINIUM BLACK		
	HCP-4423890	CUSTOM CUT LENGTH: SUPPLIED WITH 2X END CAPS PER LENGTH
	HCP-4423890-3M	3 METRE LENGTH: SUPPLIED WITH 6X END CAPS
ALUMINIUM WHITE		
	HCP-4433890	CUSTOM CUT LENGTH: SUPPLIED WITH 2X END CAPS PER LENGTH
	HCP-4433890-3M	3 METRE LENGTH: SUPPLIED WITH 6X END CAPS
JOINER		
	HCP-4413890-JOINER	JOINER KIT TO ALLOW MULTIPLE LENGTHS TO BE JOINED TO FORM A CONTINUOUS RUN.

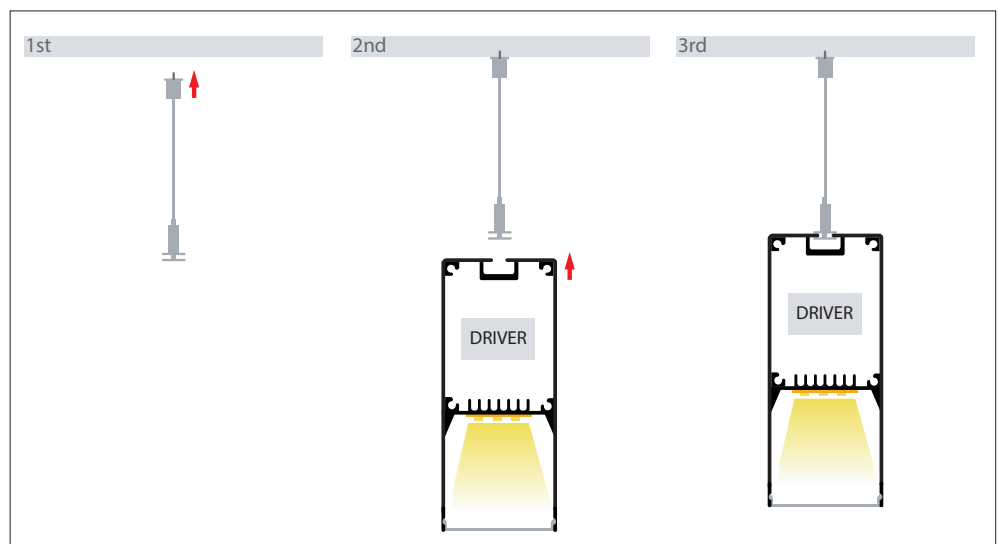
MEASUREMENTS



SUSPENSION KIT



SAMPLE INSTALLATION METHOD



14

ALUMINIUM PROFILE

49MM X 75MM SUSPENDED ALUMINIUM PROFILE



PRODUCT DATA

49MM X 75MM	
MATERIAL	ALUMINIUM
COLOUR/FINISH	SILVER
AVAILABLE LENGTHS	UP TO 3000MM CONTINUOUS
LED STRIP TYPE	UP TO 25MM (W) X 6MM (H)
DIFFUSER TYPE	PC STANDARD
IP RATING	IP20

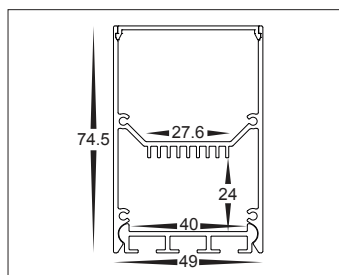
Powder Coating
Available*



PRODUCT ORDERING

ALUMINIUM SILVER		
	HCP-4414975	CUSTOM CUT LENGTH: SUPPLIED WITH 2X END CAPS PER LENGTH
	HCP-4414975-3M	3 METRE LENGTH: SUPPLIED WITH 6X END CAPS

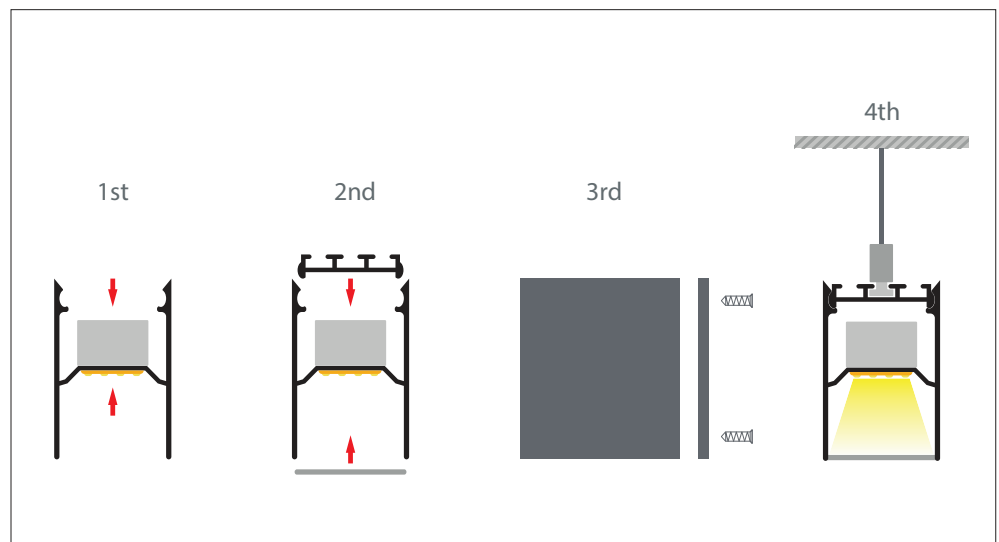
MEASUREMENTS



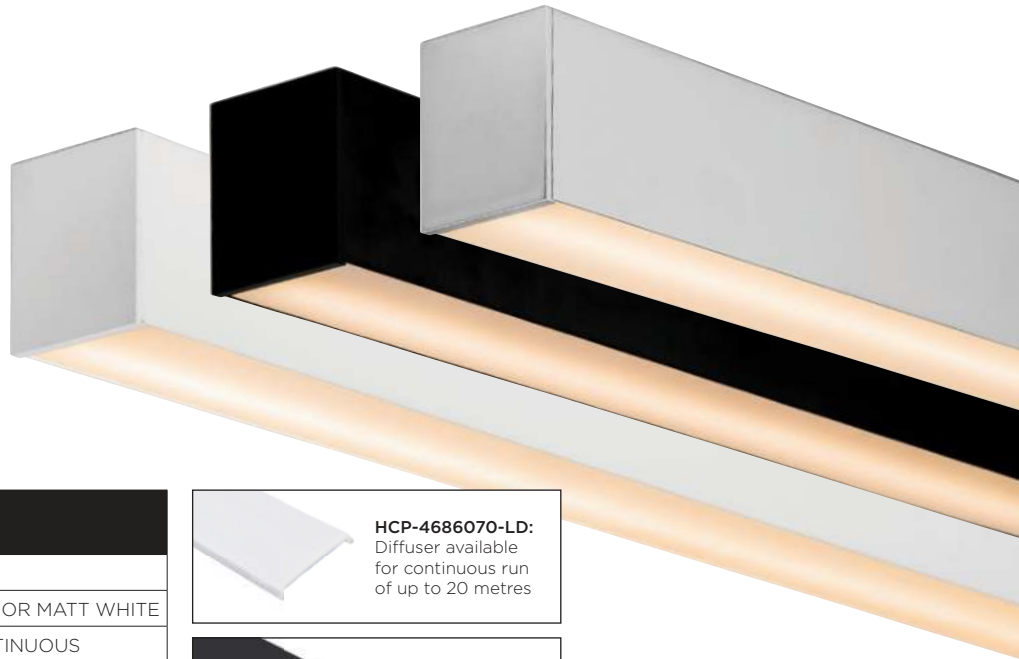
SUSPENSION KIT



SAMPLE INSTALLATION METHOD

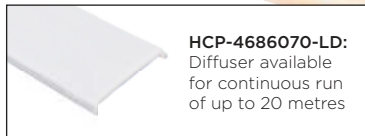


60MM X 70MM SUSPENDED ALUMINIUM PROFILE



PRODUCT DATA

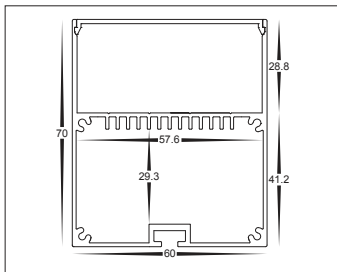
60MM X 70MM	
MATERIAL	ALUMINIUM
COLOUR/FINISH	SILVER, MATT BLACK OR MATT WHITE
AVAILABLE LENGTHS	UP TO 3000MM CONTINUOUS
LED STRIP TYPE	UP TO 50MM (W) X 6MM (H)
DIFFUSER TYPE	PC STANDARD
IP RATING	IP20



PRODUCT ORDERING

ALUMINIUM SILVER		
	HCP-4416070	CUSTOM CUT LENGTH: SUPPLIED WITH 2X END CAPS PER LENGTH
	HCP-4416070-3M	3 METRE LENGTH: SUPPLIED WITH 6X END CAPS
ALUMINIUM BLACK		
	HCP-4426070	CUSTOM CUT LENGTH: SUPPLIED WITH 2X END CAPS PER LENGTH
	HCP-4426070-3M	3 METRE LENGTH: SUPPLIED WITH 6X END CAPS
ALUMINIUM WHITE		
	HCP-4436070	CUSTOM CUT LENGTH: SUPPLIED WITH 2X END CAPS PER LENGTH
	HCP-4436070-3M	3 METRE LENGTH: SUPPLIED WITH 6X END CAPS
JOINER		
	HCP-4416070-JOINER	JOINER KIT TO ALLOW MULTIPLE LENGTHS TO BE JOINED TO FORM A CONTINUOUS RUN.

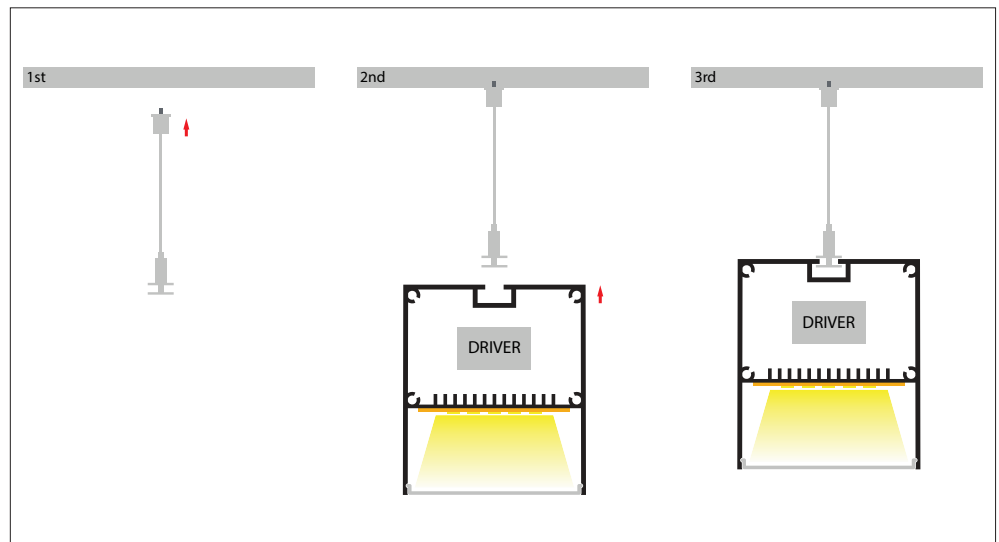
MEASUREMENTS



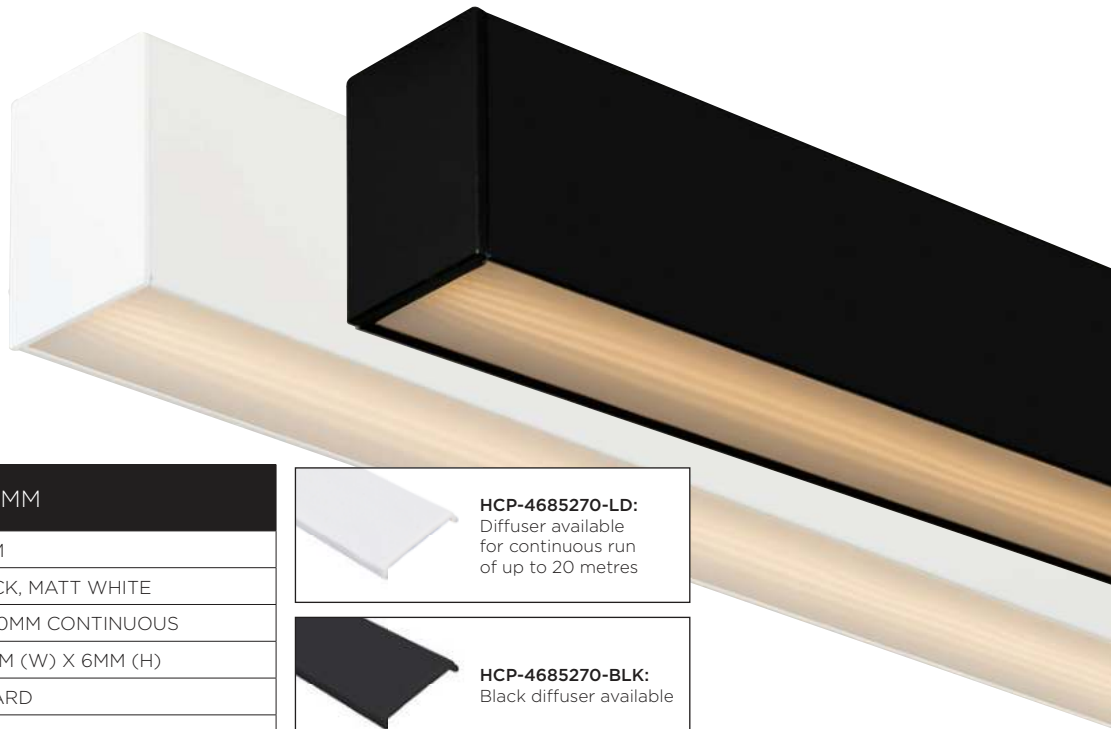
SUSPENSION KIT



SAMPLE INSTALLATION METHOD




52MM X 70MM SUSPENDED ALUMINIUM PROFILE



PRODUCT DATA

52MM X 70MM	
MATERIAL	ALUMINIUM
COLOUR/FINISH	MATT BLACK, MATT WHITE
AVAILABLE LENGTHS	UP TO 3000MM CONTINUOUS
LED STRIP TYPE	UP TO 20MM (W) X 6MM (H)
DIFFUSER TYPE	PC STANDARD
IP RATING	IP20






HCP-4685270-LD:
Diffuser available for continuous run of up to 20 metres

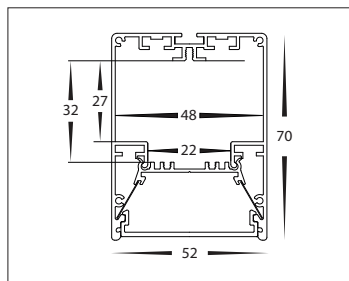


HCP-4685270-BLK:
Black diffuser available

PRODUCT ORDERING

ALUMINIUM BLACK		
	HCP-4425270	CUSTOM CUT LENGTH: SUPPLIED WITH 2X END CAPS PER LENGTH
	HCP-4425270-3M	3M LENGTH: SUPPLIED WITH 6X END CAPS
ALUMINIUM WHITE		
	HCP-4435270	CUSTOM CUT LENGTH: SUPPLIED WITH 2X END CAPS PER LENGTH
	HCP-4435270-3M	3M LENGTH: SUPPLIED WITH 6X END CAPS
JOINER		
	HCP-4805270-JOINER	STRAIGHT JOINER
	HCP-4506070-SM	SURFACE MOUNT CLIP

MEASUREMENTS




SUSPENSION KIT



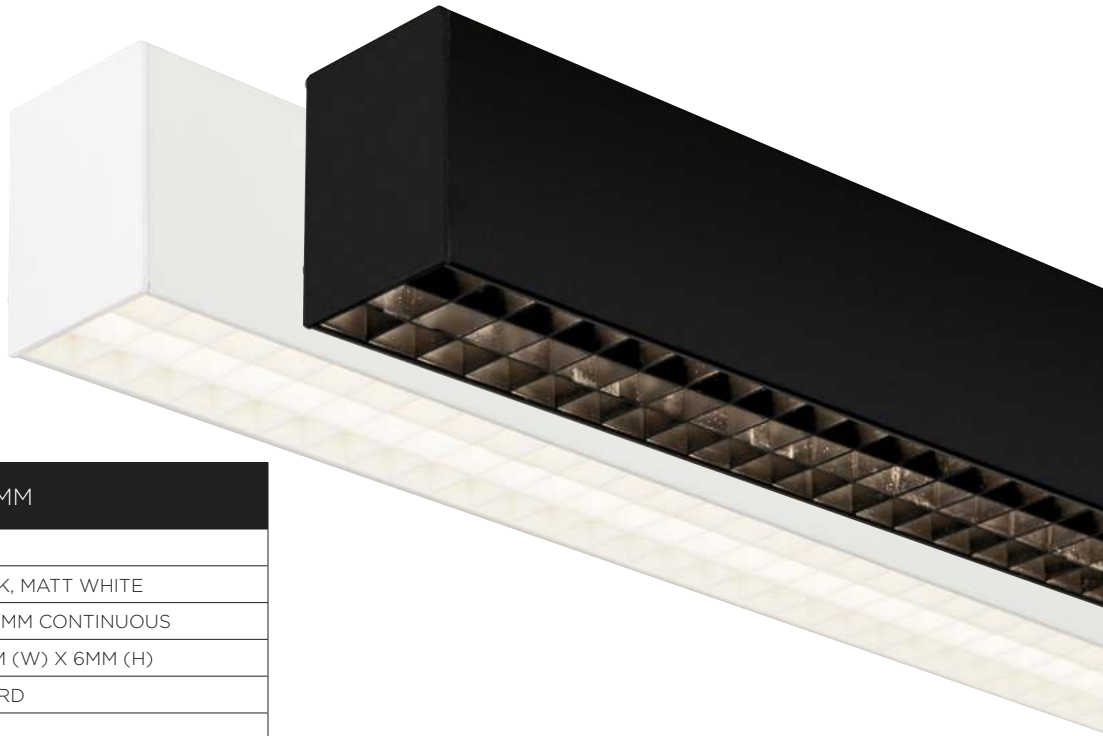
SAMPLE INSTALLATION METHOD

1st 2nd 3rd



Scan QR to view available joiners




52MM X 70MM SUSPENDED ALUMINIUM PROFILE



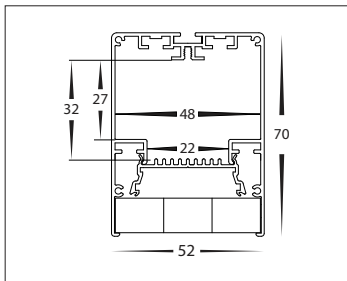
PRODUCT DATA

52MM X 70MM	
MATERIAL	ALUMINIUM
COLOUR/FINISH	MATT BLACK, MATT WHITE
AVAILABLE LENGTHS	UP TO 3000MM CONTINUOUS
LED STRIP TYPE	UP TO 20MM (W) X 6MM (H)
DIFFUSER TYPE	PC STANDARD
IP RATING	IP20

PRODUCT ORDERING

ALUMINIUM BLACK		
	HCP-4425271	CUSTOM CUT LENGTH: SUPPLIED WITH 2X END CAPS PER LENGTH
	HCP-4425271-3M	3M LENGTH: SUPPLIED WITH 6X END CAPS
ALUMINIUM WHITE		
	HCP-4435271	CUSTOM CUT LENGTH: SUPPLIED WITH 2X END CAPS PER LENGTH
	HCP-4435271-3M	3M LENGTH: SUPPLIED WITH 6X END CAPS
JOINER		
	HCP-4805270-JOINER	STRAIGHT JOINER
	HCP-4506070-SM	SURFACE MOUNT CLIP

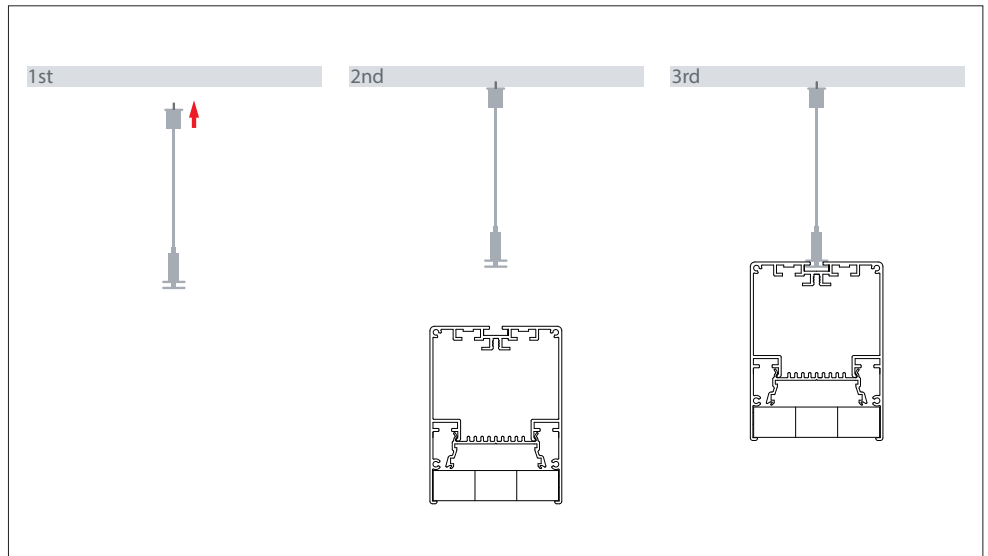
MEASUREMENTS



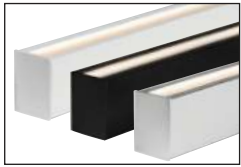
SUSPENSION KIT



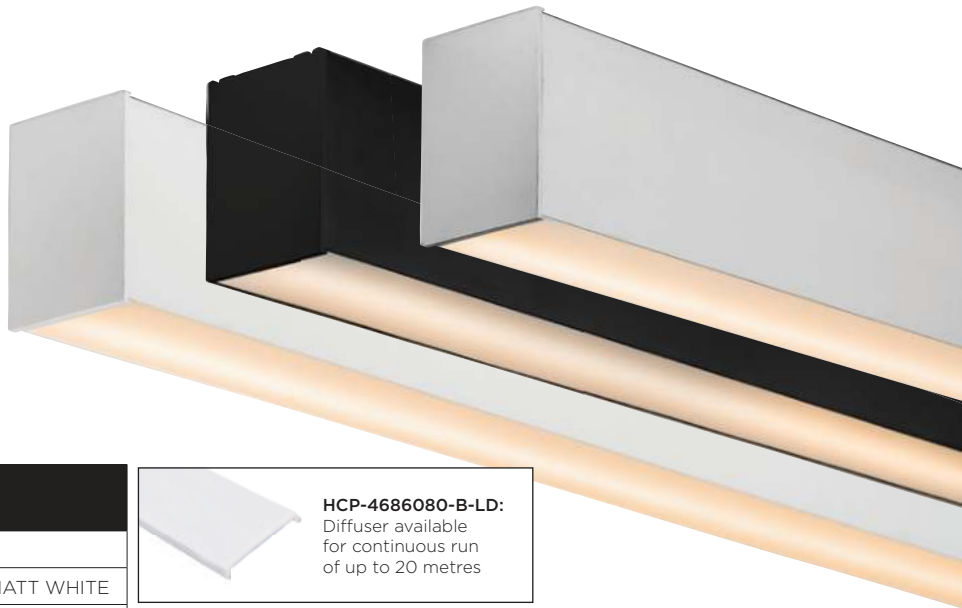
SAMPLE INSTALLATION METHOD



60MM X 80MM SUSPENDED UP & DOWN ALUMINIUM PROFILE

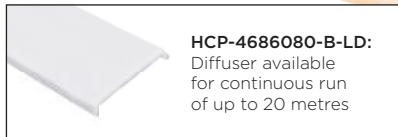


TOP VIEW



PRODUCT DATA

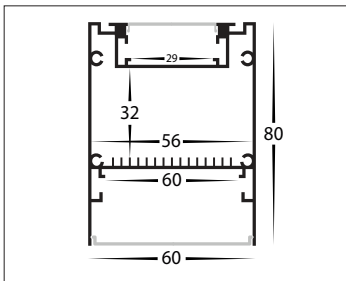
60MM X 80MM	
MATERIAL	ALUMINIUM
COLOUR/FINISH	SILVER, MATT BLACK OR MATT WHITE
AVAILABLE LENGTHS	UP TO 3000MM CONTINUOUS
LED STRIP TYPE	UP TO 30MM (W) X 6MM (H)
DIFFUSER TYPE	PC STANDARD
IP RATING	IP20



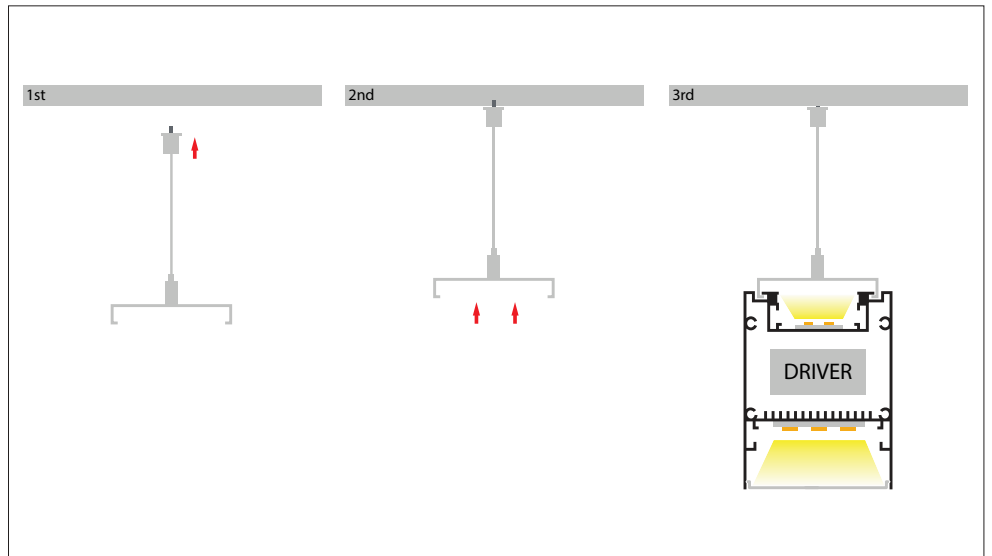
PRODUCT ORDERING

ALUMINIUM SILVER		
	HCP-4416080	CUSTOM CUT LENGTH: SUPPLIED WITH 2X END CAPS PER LENGTH
	HCP-4416080-3M	3 METRE LENGTH: SUPPLIED WITH 6X END CAPS
ALUMINIUM BLACK		
	HCP-4426080	CUSTOM CUT LENGTH: SUPPLIED WITH 2X END CAPS PER LENGTH
	HCP-4426080-3M	3 METRE LENGTH: SUPPLIED WITH 6X END CAPS
ALUMINIUM WHITE		
	HCP-4436080	CUSTOM CUT LENGTH: SUPPLIED WITH 2X END CAPS PER LENGTH
	HCP-4436080-3M	3 METRE LENGTH: SUPPLIED WITH 6X END CAPS
JOINER		
	HCP-4416080-JOINER	JOINER KIT TO ALLOW MULTIPLE LENGTHS TO BE JOINED TO FORM A CONTINUOUS RUN.

MEASUREMENTS



SAMPLE INSTALLATION METHOD



SUSPENSION KIT

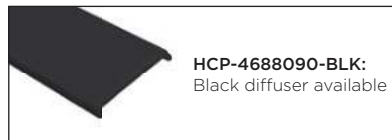
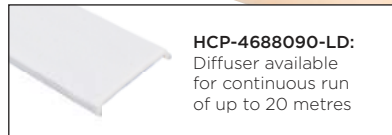


80MM X 90MM SUSPENDED ALUMINIUM PROFILE




PRODUCT DATA

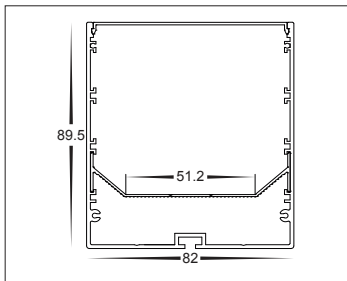
80MM X 90MM	
MATERIAL	ALUMINIUM
COLOUR/FINISH	SILVER, MATT BLACK OR MATT WHITE
AVAILABLE LENGTHS	UP TO 3000MM CONTINUOUS
LED STRIP TYPE	UP TO 50MM (W) X 6MM (H)
DIFFUSER TYPE	PC STANDARD
IP RATING	IP20



PRODUCT ORDERING

ALUMINIUM SILVER		
	HCP-4418090	CUSTOM CUT LENGTH: SUPPLIED WITH 2X END CAPS PER LENGTH
	HCP-4418090-3M	3 METRE LENGTH: SUPPLIED WITH 6X END CAPS
ALUMINIUM BLACK		
	HCP-4428090	CUSTOM CUT LENGTH: SUPPLIED WITH 2X END CAPS PER LENGTH
	HCP-4428090-3M	3 METRE LENGTH: SUPPLIED WITH 6X END CAPS
ALUMINIUM WHITE		
	HCP-4438090	CUSTOM CUT LENGTH: SUPPLIED WITH 2X END CAPS PER LENGTH
	HCP-4438090-3M	3 METRE LENGTH: SUPPLIED WITH 6X END CAPS
JOINER		
	HCP-4418090-JOINER	JOINER KIT TO ALLOW MULTIPLE LENGTHS TO BE JOINED TO FORM A CONTINUOUS RUN.

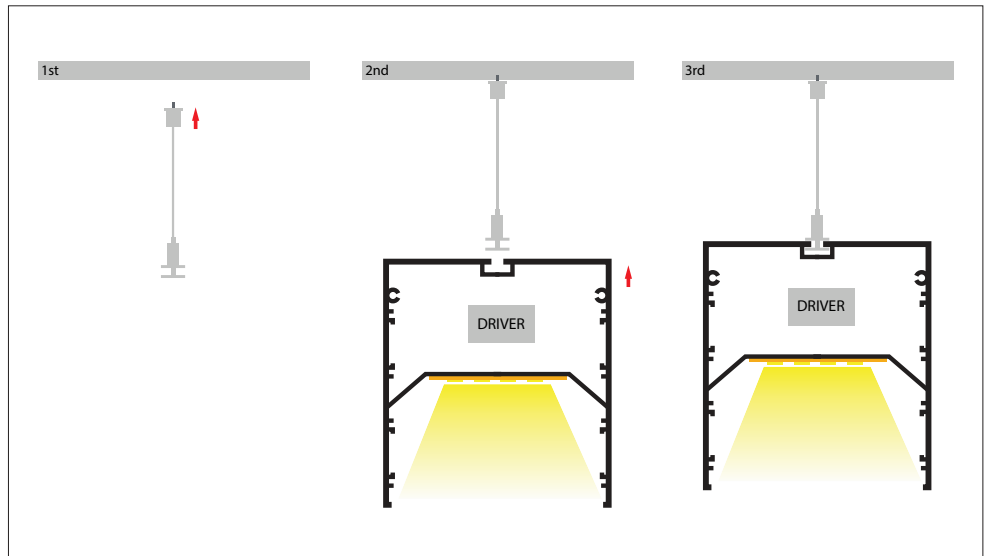
MEASUREMENTS



SUSPENSION KIT



SAMPLE INSTALLATION METHOD



18MM X 8MM IP65 SURFACE MOUNTED ALUMINIUM PROFILE



PRODUCT DATA

18MM X 8MM	
MATERIAL	ALUMINIUM
COLOUR/FINISH	SILVER
AVAILABLE LENGTHS	UP TO 3000MM CONTINUOUS
LED STRIP TYPE	UP TO 10MM (W) X 3MM (H)
DIFFUSER TYPE	PC STANDARD
IP RATING	IP65

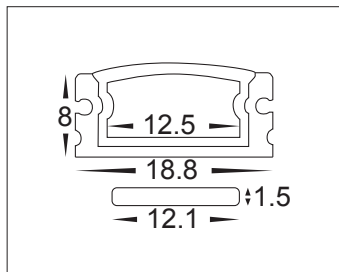
Powder Coating Available*



PRODUCT ORDERING

ALUMINIUM SILVER		
	HCP-4811808	CUSTOM CUT LENGTH: SUPPLIED WITH 2X MOUNTING CLIPS PER METRE + 2X END CAPS + 2X SEALS PER LENGTH
	HCP-4811808-3M	3 METRE LENGTH: SUPPLIED WITH 6X MOUNTING CLIPS + 6X END CAPS + 6X SEALS

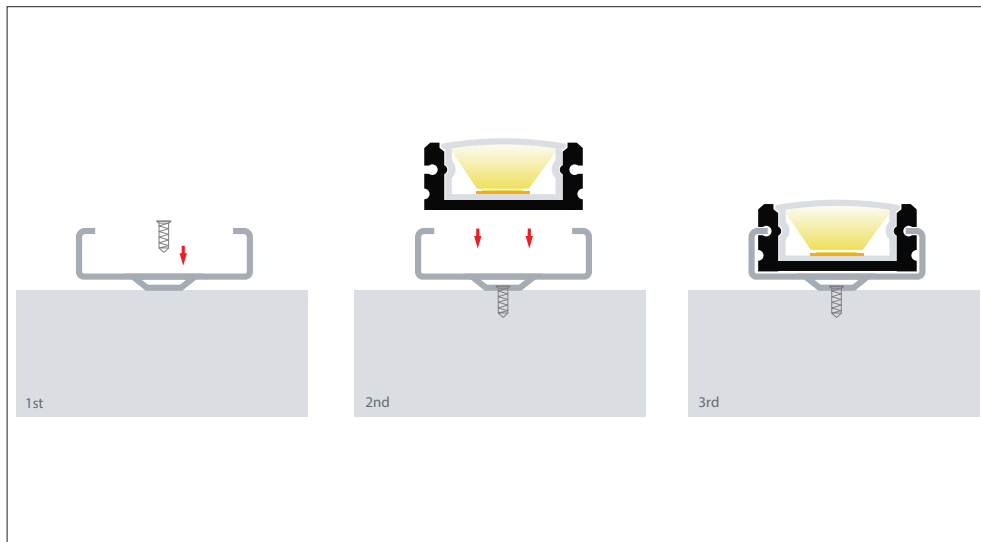
MEASUREMENTS



MOUNTING & SEALS



SAMPLE INSTALLATION METHOD



18MM X 13MM IP65 SURFACE MOUNTED ALUMINIUM PROFILE



PRODUCT DATA

18MM X 13MM	
MATERIAL	ALUMINIUM
COLOUR/FINISH	SILVER
AVAILABLE LENGTHS	UP TO 3000MM CONTINUOUS
LED STRIP TYPE	UP TO 10MM (W) X 3MM (H)
DIFFUSER TYPE	PC STANDARD
IP RATING	IP65

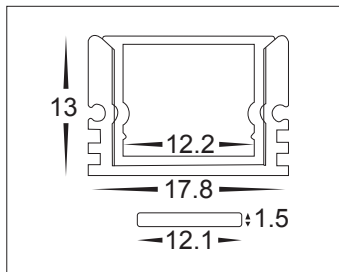
Powder Coating Available*



PRODUCT ORDERING

ALUMINIUM SILVER		
	HCP-4811812	CUSTOM CUT LENGTH: SUPPLIED WITH 2X MOUNTING CLIPS PER METRE + 2X END CAPS + 2X SEALS PER LENGTH
	HCP-4811812-3M	3 METRE LENGTH: SUPPLIED WITH 6X MOUNTING CLIPS + 6X END CAPS + 6X SEALS

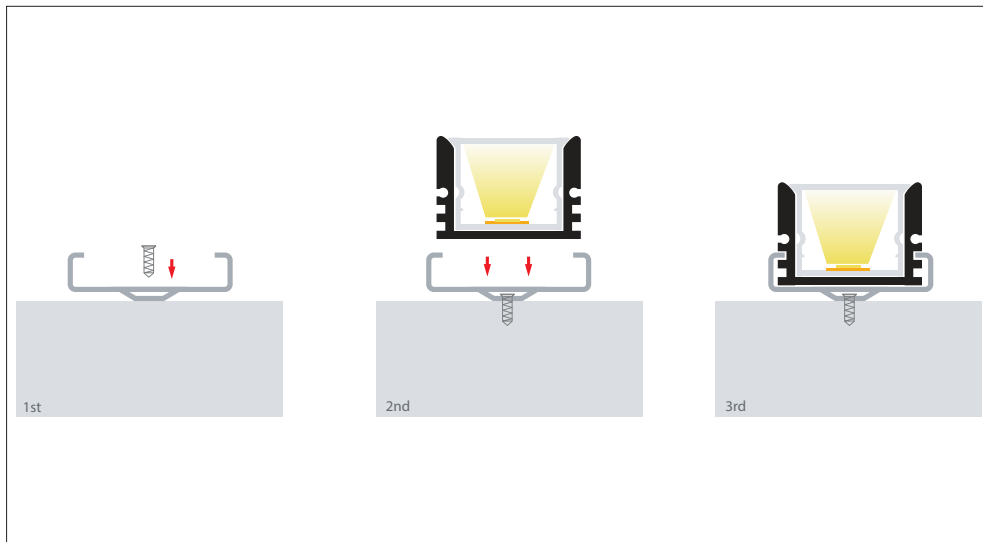
MEASUREMENTS



MOUNTING & SEALS



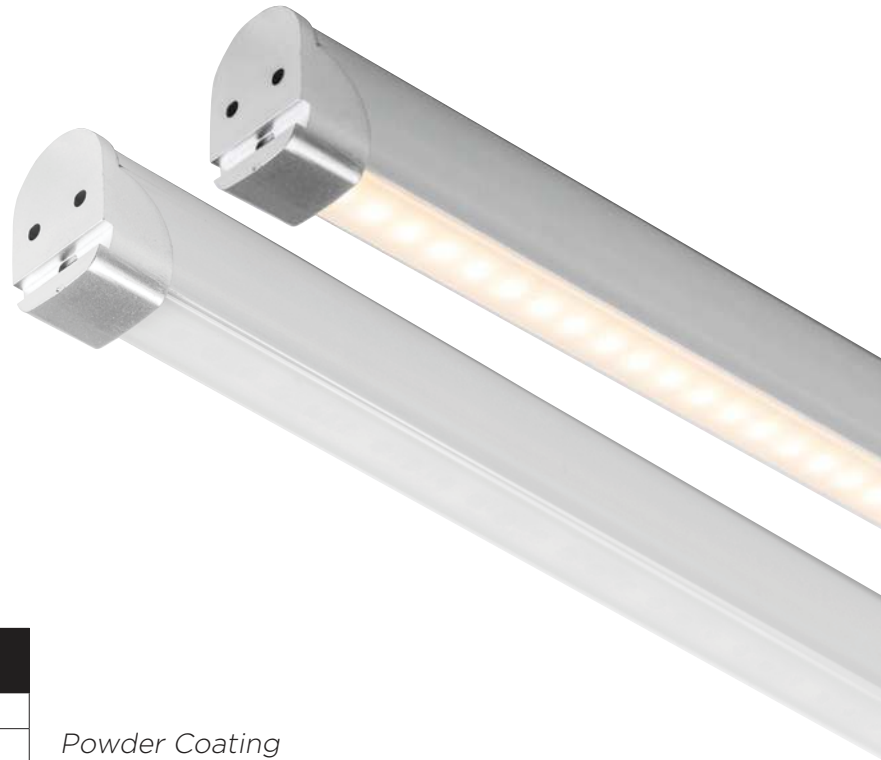
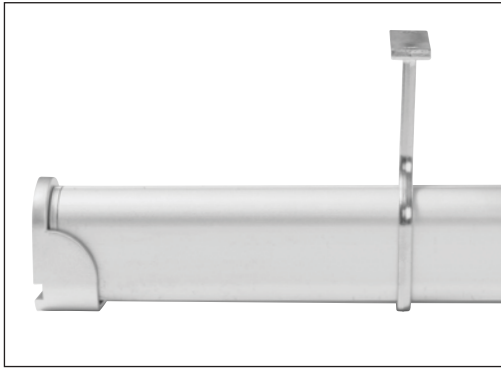
SAMPLE INSTALLATION METHOD



14

ALUMINIUM PROFILE

19MM X 30MM WARDROBE ALUMINIUM PROFILE



PRODUCT DATA

19MM X 30MM	
MATERIAL	ALUMINIUM
COLOUR/FINISH	SILVER
AVAILABLE LENGTHS	UP TO 3000MM CONTINUOUS
LED STRIP TYPE	UP TO 10MM (W) X 3MM (H)
DIFFUSER TYPE	PC STANDARD
IP RATING	IP20

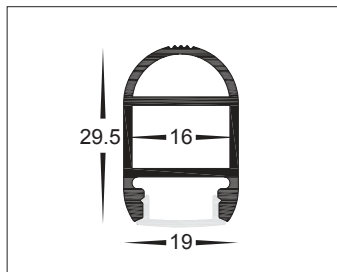
Powder Coating Available*



PRODUCT ORDERING

ALUMINIUM SILVER		
	HCP-4911930	CUSTOM CUT LENGTH: SUPPLIED WITH 2X MOUNTING BRACKETS + 2X END CAPS PER LENGTH
	HCP-4911930-3M	3 METRE LENGTH: SUPPLIED WITH 6X MOUNTING BRACKETS + 6X END CAPS
	HCP-4911930-CR	CENTRE MOUNTING ROD (RECOMMENDED TO BE USED EVERY 500MM)

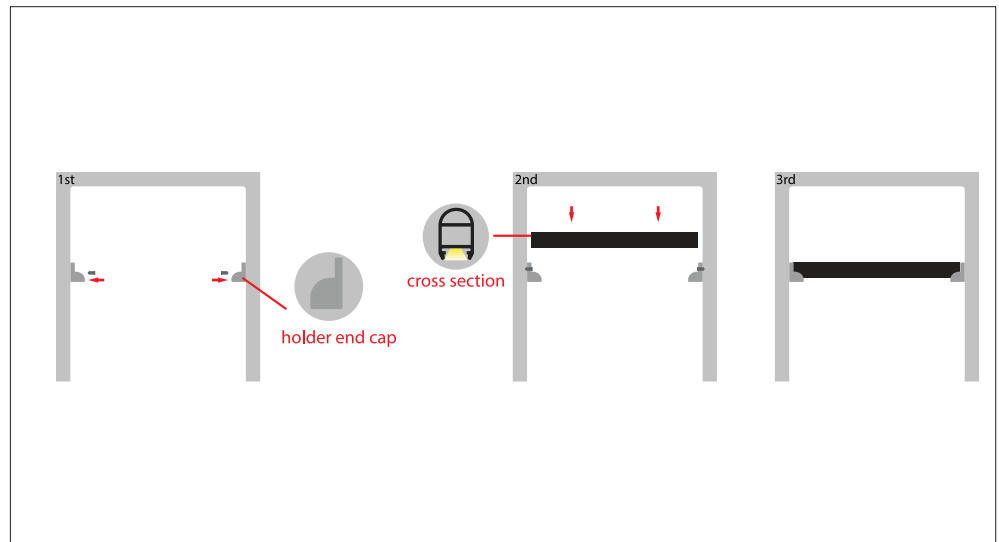
MEASUREMENTS



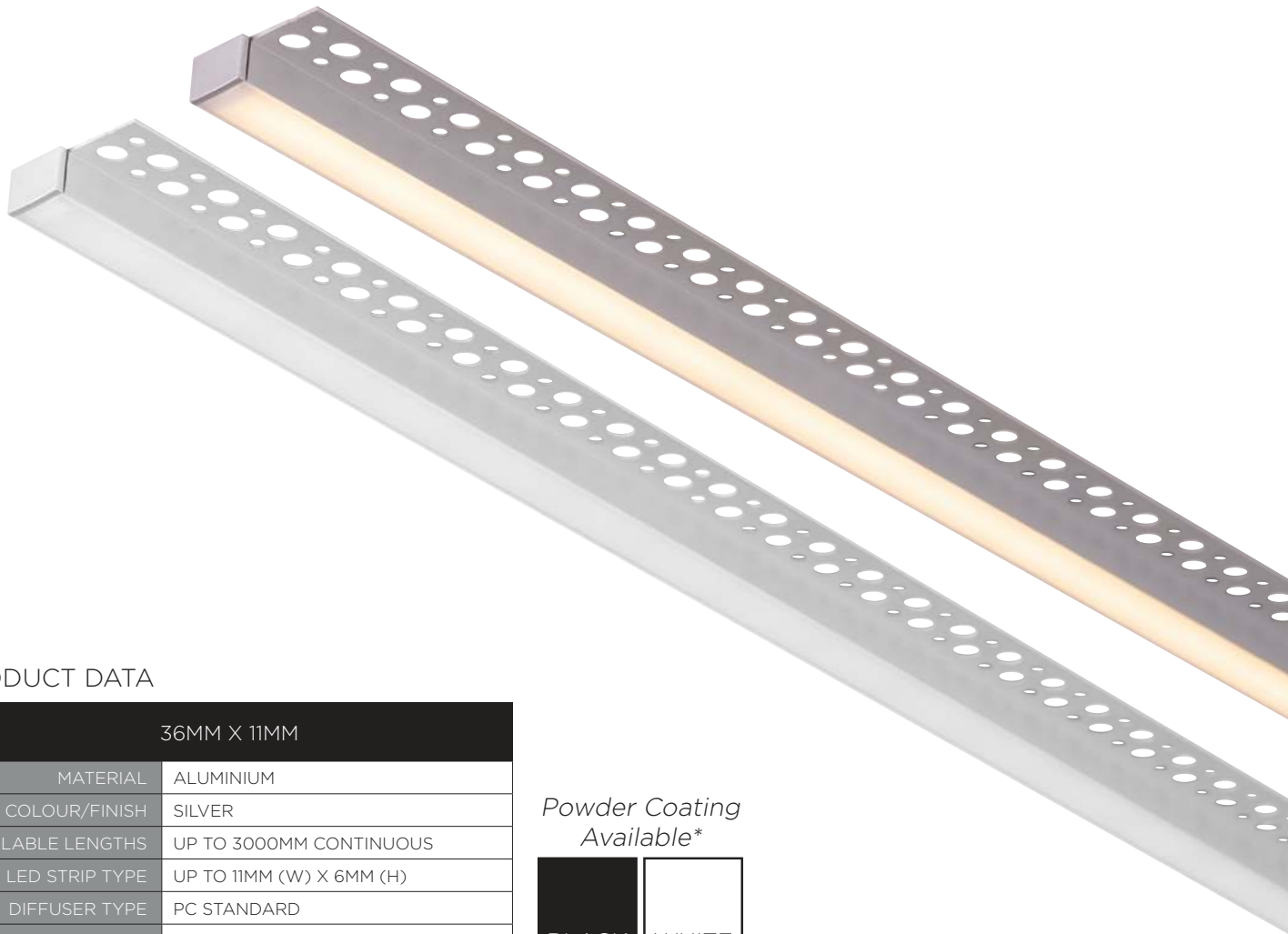
MOUNTING BRACKETS



SAMPLE INSTALLATION METHOD



36MM X 11MM GYPROCK ALUMINIUM PROFILE



PRODUCT DATA

36MM X 11MM	
MATERIAL	ALUMINIUM
COLOUR/FINISH	SILVER
AVAILABLE LENGTHS	UP TO 3000MM CONTINUOUS
LED STRIP TYPE	UP TO 11MM (W) X 6MM (H)
DIFFUSER TYPE	PC STANDARD
IP RATING	IP20

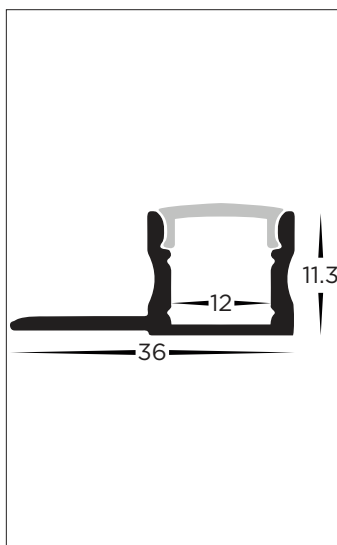
Powder Coating Available*



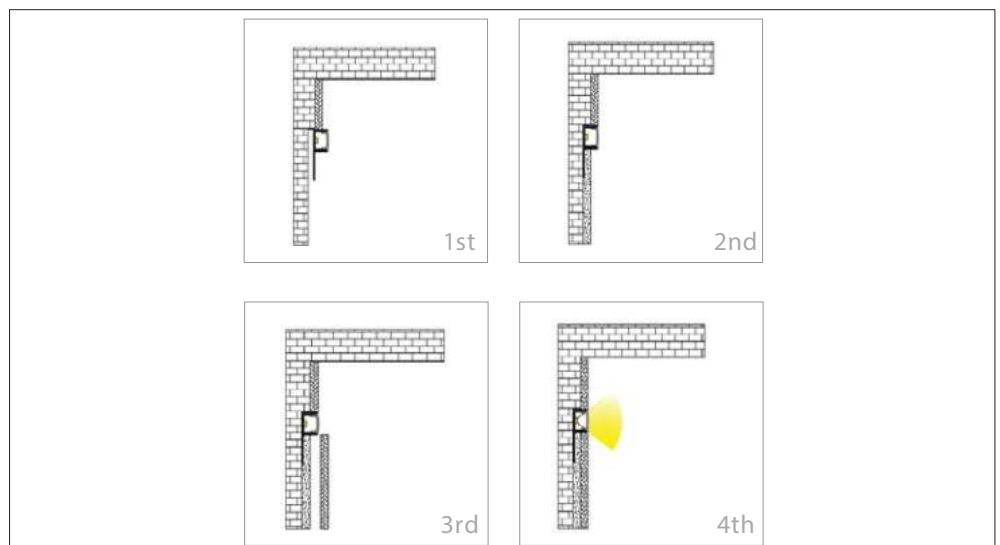
PRODUCT ORDERING

ALUMINIUM SILVER		
	HCP-4913611	CUSTOM CUT LENGTH: SUPPLIED WITH 2X END CAPS PER LENGTH
	HCP-4913611-3M	3M LENGTH: SUPPLIED WITH 6X END CAPS

MEASUREMENTS



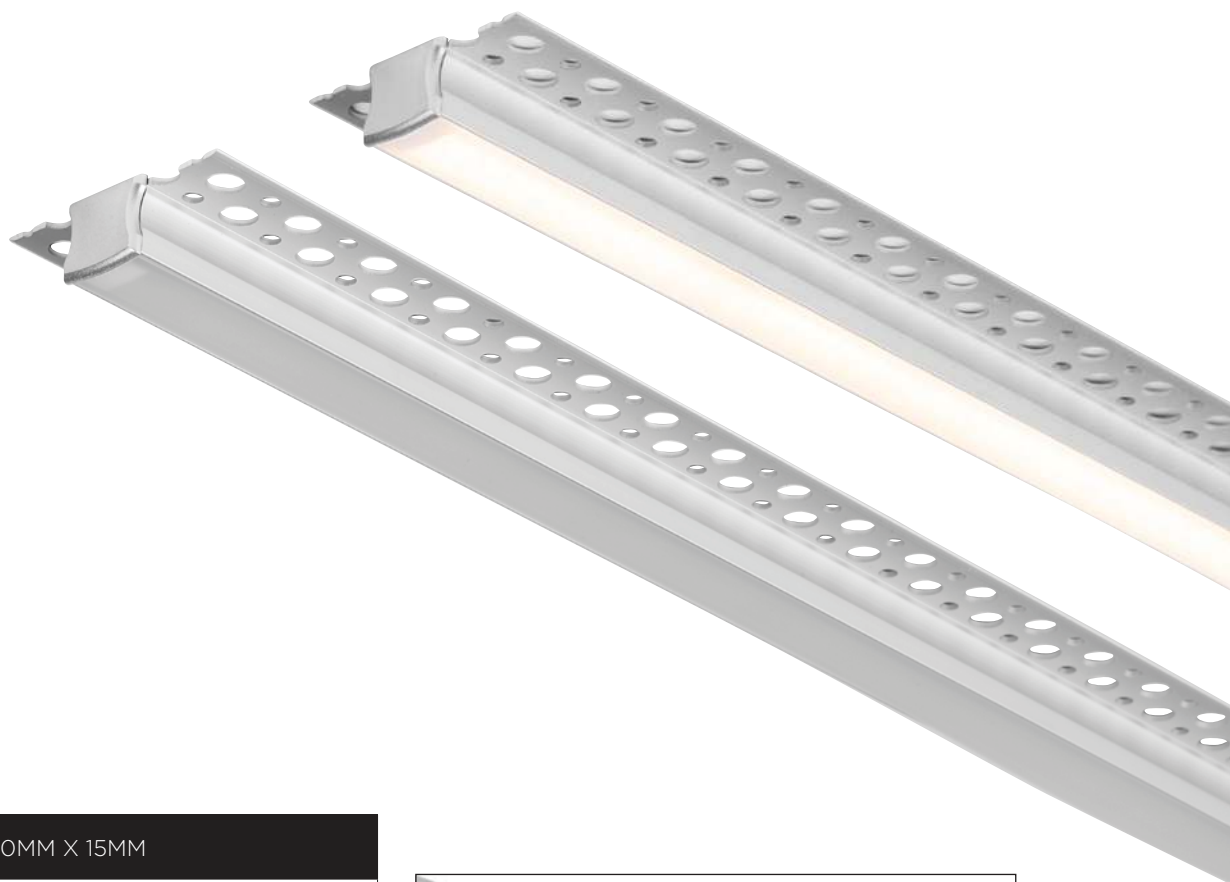
SAMPLE INSTALLATION METHOD



14

ALUMINIUM PROFILE

50MM X 15MM GYPROCK ALUMINIUM PROFILE



PRODUCT DATA

50MM X 15MM	
MATERIAL	ALUMINIUM
COLOUR/FINISH	SILVER
AVAILABLE LENGTHS	UP TO 3000MM CONTINUOUS
LED STRIP TYPE	UP TO 10MM (W) X 3MM (H)
DIFFUSER TYPE	PC STANDARD
IP RATING	IP20

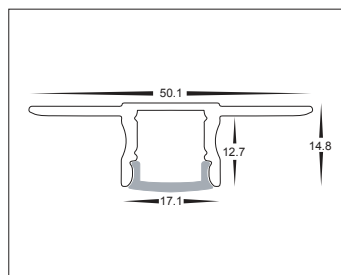


HCP-4685015-LD:
Diffuser available for continuous run of up to 20 metres

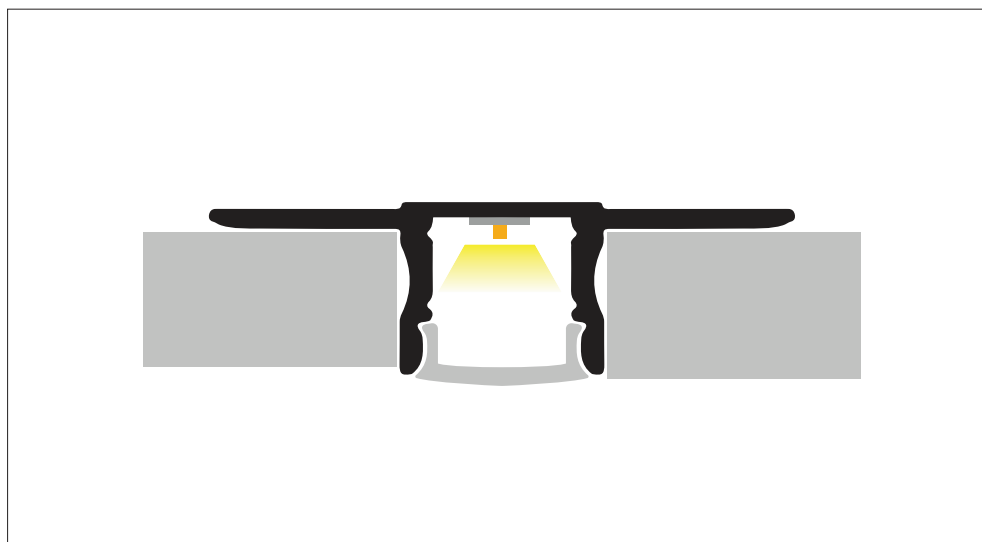
PRODUCT ORDERING

ALUMINIUM SILVER		
	HCP-4915015	CUSTOM CUT LENGTH: SUPPLIED WITH 2X END CAPS PER LENGTH
	HCP-4915015-3M	3 METRE LENGTH: SUPPLIED WITH 6X END CAPS

MEASUREMENTS



SAMPLE INSTALLATION METHOD



50MM X 15MM GYPROCK ALUMINIUM PROFILE



PRODUCT DATA

50MM X 15MM	
MATERIAL	ALUMINIUM
COLOUR/FINISH	SILVER
AVAILABLE LENGTHS	UP TO 3000MM CONTINUOUS
LED STRIP TYPE	UP TO 10MM (W) X 3MM (H)
DIFFUSER TYPE	PC STANDARD
IP RATING	IP20

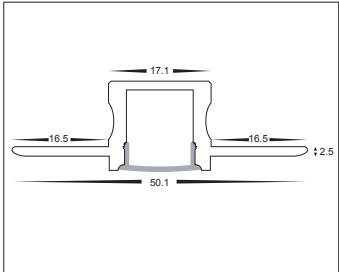


HCP-4685115-LD:
Diffuser available for continuous run of up to 20 metres

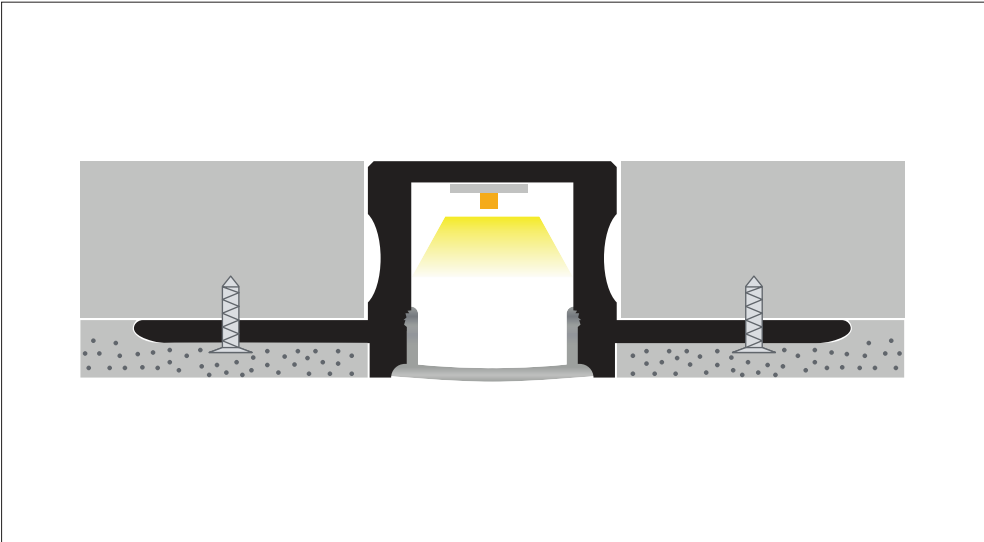
PRODUCT ORDERING

ALUMINIUM SILVER		
	HCP-4915115	CUSTOM CUT LENGTH: SUPPLIED WITH 2X END CAPS PER LENGTH
	HCP-4915115-3M	3 METRE LENGTH: SUPPLIED WITH 6X END CAPS

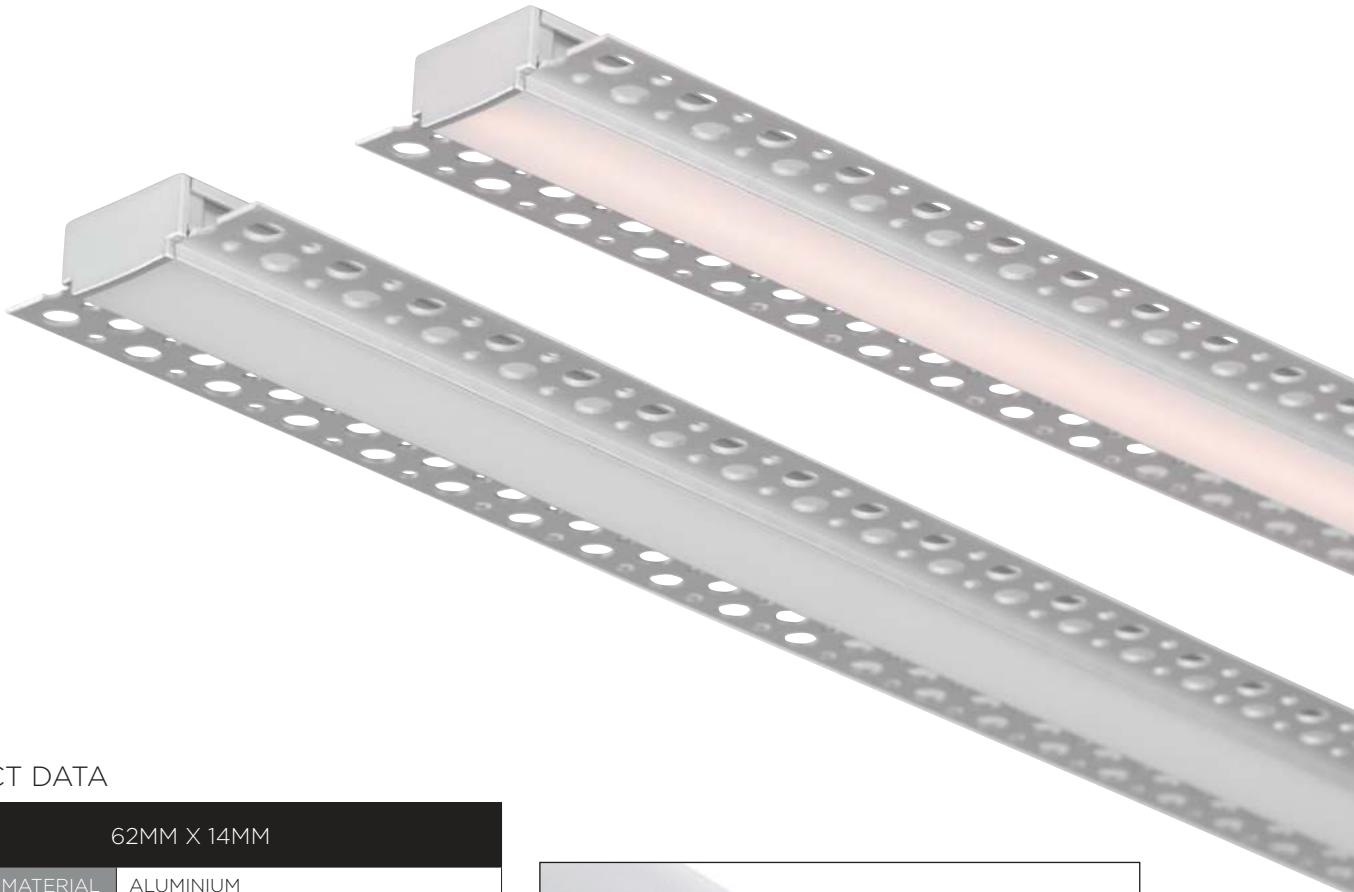
MEASUREMENTS



SAMPLE INSTALLATION METHOD



62MM X 14MM GYPROCK ALUMINIUM PROFILE



PRODUCT DATA

62MM X 14MM	
MATERIAL	ALUMINIUM
COLOUR/FINISH	SILVER
AVAILABLE LENGTHS	UP TO 3000MM CONTINUOUS
LED STRIP TYPE	UP TO 20MM (W) X 6MM (H)
DIFFUSER TYPE	PC STANDARD
IP RATING	IP20

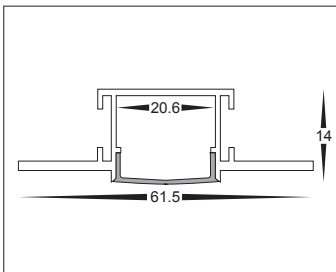


HCP-4686214-LD:
Diffuser available for continuous run of up to 20 metres

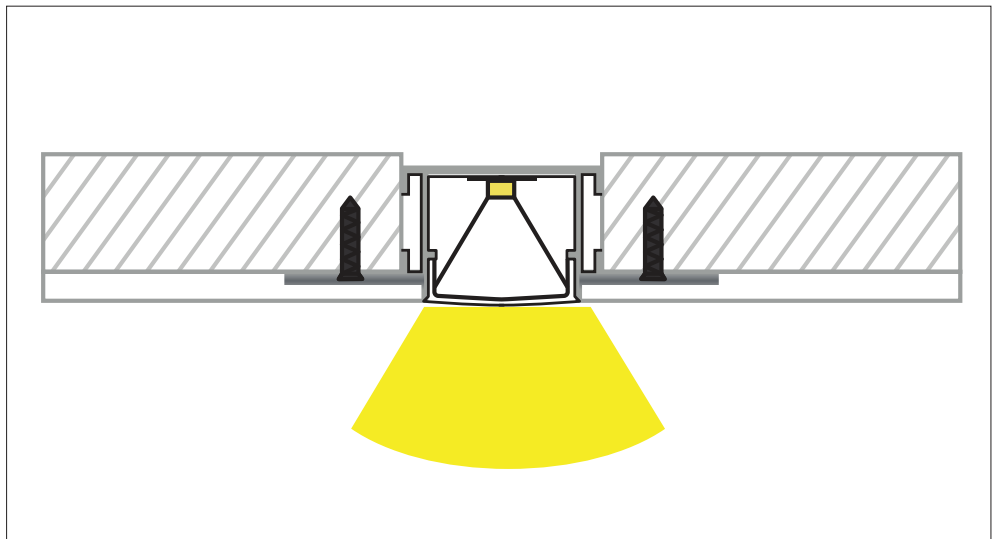
PRODUCT ORDERING

ALUMINIUM SILVER		
	HCP-4916214	CUSTOM CUT LENGTH: SUPPLIED WITH 2X END CAPS PER LENGTH
	HCP-4916214-3M	3 METRE LENGTH: SUPPLIED WITH 6X END CAPS

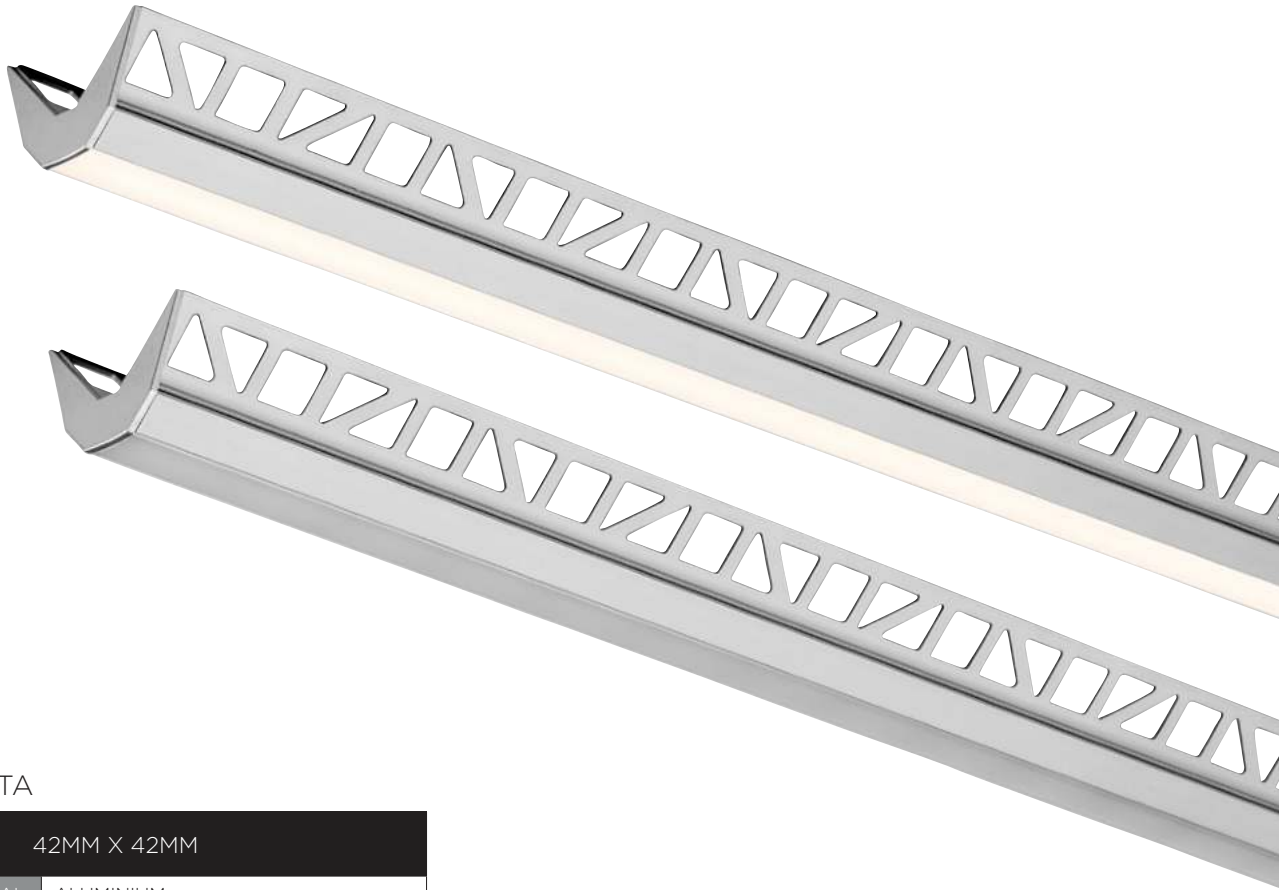
MEASUREMENTS



SAMPLE INSTALLATION METHOD



42MM X 42MM GYPROCK ALUMINIUM PROFILE



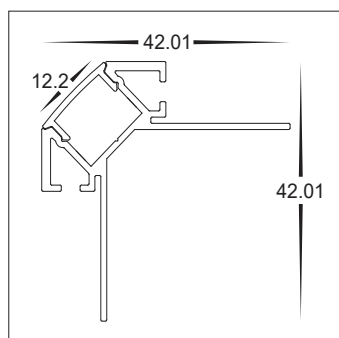
PRODUCT DATA

42MM X 42MM	
MATERIAL	ALUMINIUM
COLOUR/FINISH	SILVER
AVAILABLE LENGTHS	UP TO 3000MM CONTINUOUS
LED STRIP TYPE	UP TO 12MM (W) X 3MM (W)
DIFFUSER TYPE	PC STANDARD
IP RATING	IP20

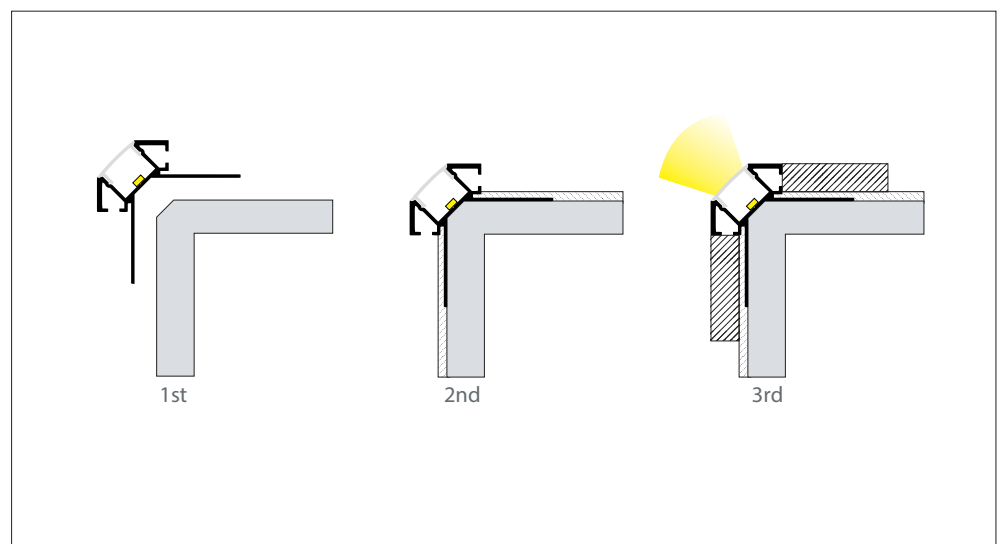
PRODUCT ORDERING

ALUMINIUM SILVER		
	HCP-4914242	CUSTOM CUT LENGTH: SUPPLIED WITH 2X END CAPS PER LENGTH
	HCP-4914242-3M	3 METRE LENGTH: SUPPLIED WITH 6X END CAPS

MEASUREMENTS

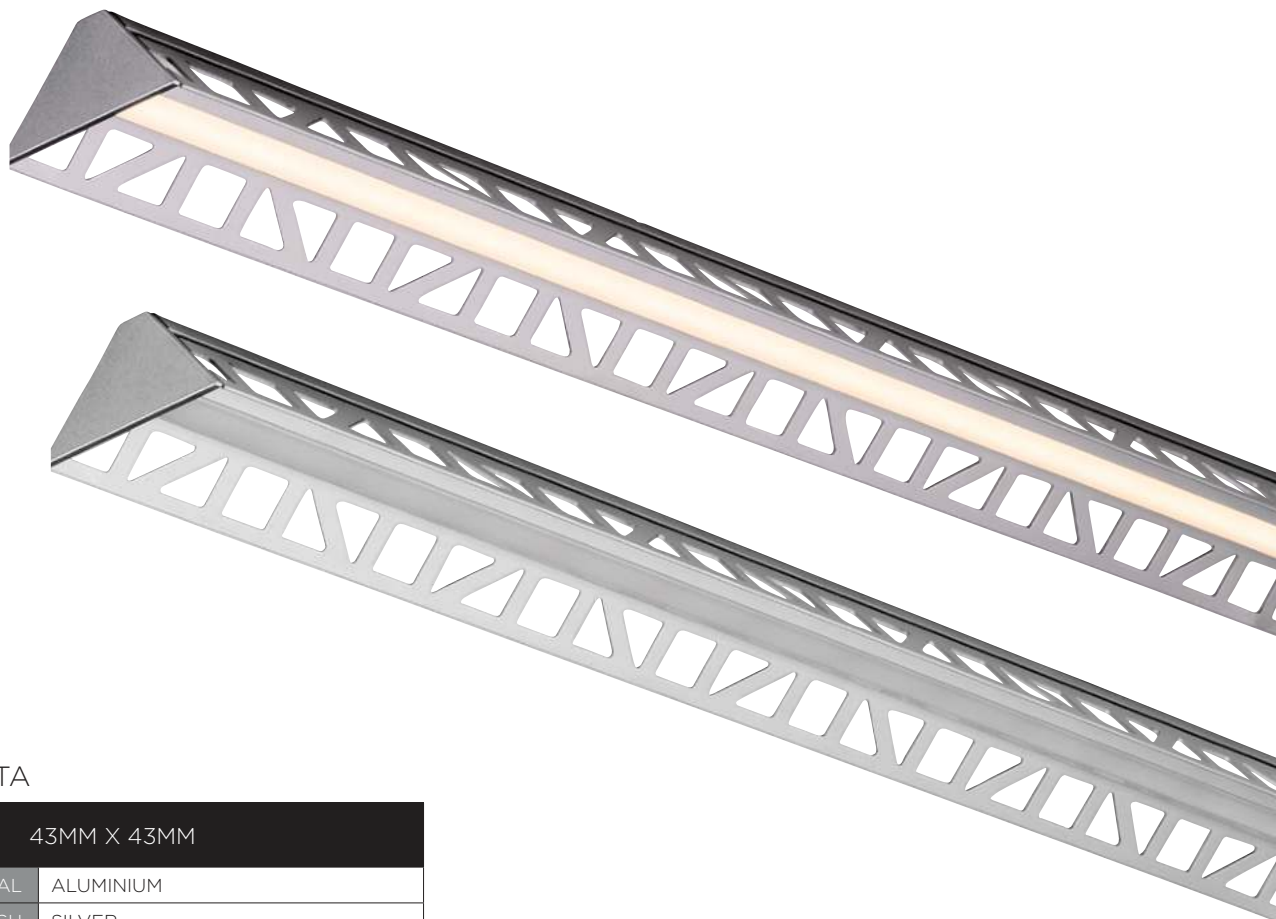


SAMPLE INSTALLATION METHOD



14
ALUMINIUM PROFILE

43MM X 43MM GYPROCK ALUMINIUM PROFILE



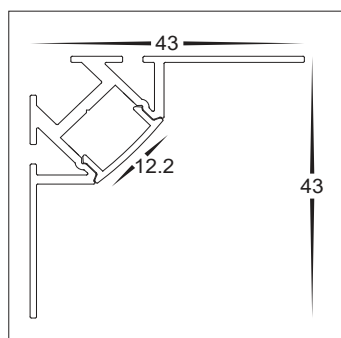
PRODUCT DATA

43MM X 43MM	
MATERIAL	ALUMINIUM
COLOUR/FINISH	SILVER
AVAILABLE LENGTHS	UP TO 3000MM CONTINUOUS
LED STRIP TYPE	UP TO 12MM (W) X 3MM (W)
DIFFUSER TYPE	PC STANDARD
IP RATING	IP20

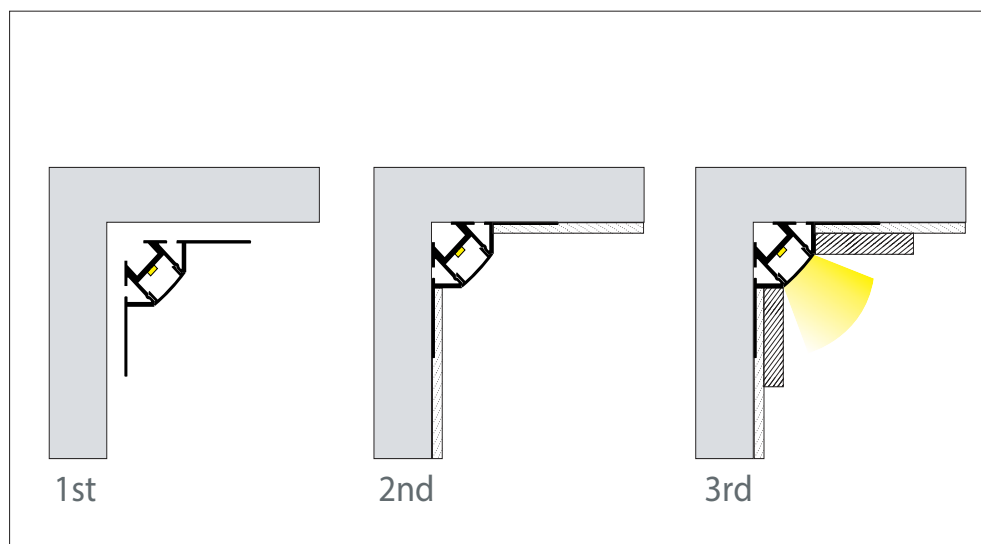
PRODUCT ORDERING

ALUMINIUM SILVER		
	HCP-4914343	CUSTOM CUT LENGTH: SUPPLIED WITH 2X END CAPS PER LENGTH
	HCP-4914343-3M	3 METRE LENGTH: SUPPLIED WITH 6X END CAPS

MEASUREMENTS



SAMPLE INSTALLATION METHOD



60MM X 20MM STEP TREAD ALUMINIUM PROFILE



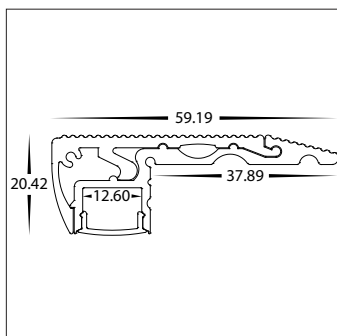
PRODUCT DATA

60MM X 20MM	
MATERIAL	ALUMINIUM
COLOUR/FINISH	SILVER
AVAILABLE LENGTHS	UP TO 3000MM CONTINUOUS
LED STRIP TYPE	UP TO 10MM (W) X 3MM (H)
DIFFUSER TYPE	PC STANDARD
IP RATING	IP20

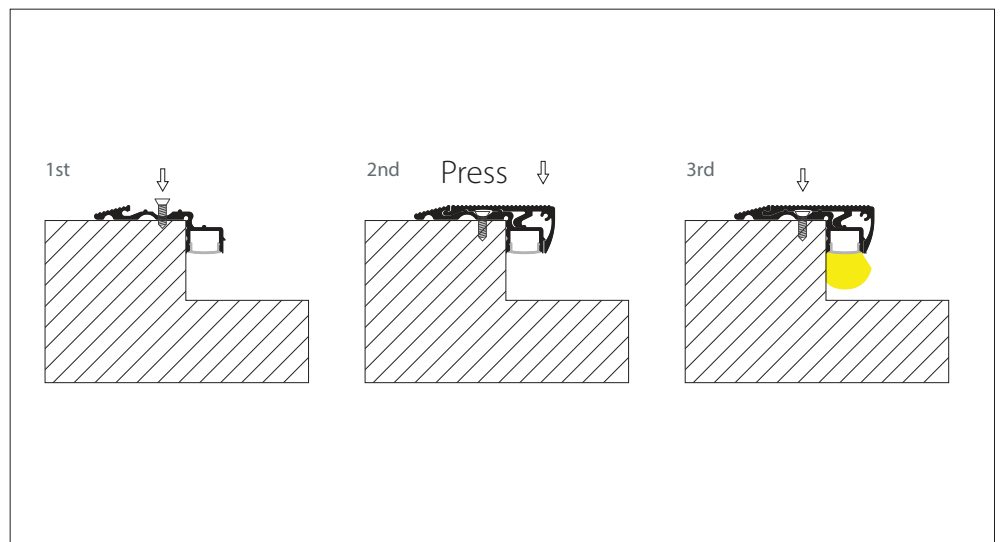
PRODUCT ORDERING

ALUMINIUM SILVER		
	HCP-4916020	CUSTOM CUT LENGTH: SUPPLIED WITH 2X END CAPS PER LENGTH
	HCP-4916020-3M	3M LENGTH: SUPPLIED WITH 6X END CAPS

MEASUREMENTS




SAMPLE INSTALLATION METHOD



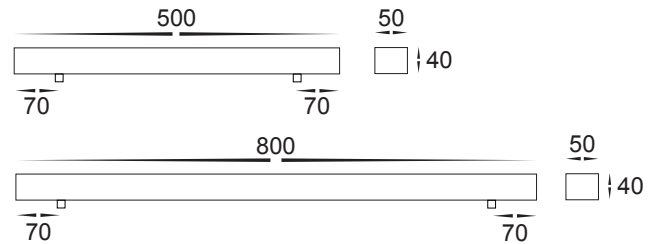
ALUMINIUM HEAT SINK

ALUMINIUM HEAT SINK	
MATERIAL	ALUMINIUM
COLOUR/FINISH	SILVER
AVAILABLE LENGTHS	UP TO 3000MM CONTINUOUS
LED STRIP TYPE	UP TO 20MM
INSTALLATION TYPE	SURFACE MOUNTED
IP RATING	IP20



10MM X 3MM ALUMINIUM HEAT SINK		
	HCP-4141003	CUSTOM CUT LENGTH: CUT TO SUPPLIED MEASUREMENTS UP TO 3000MM
	HCP-4141003-3M	3 METRE LENGTH
16MM X 3MM ALUMINIUM HEAT SINK		
	HCP-4141603	CUSTOM CUT LENGTH: CUT TO SUPPLIED MEASUREMENTS UP TO 3000MM
	HCP-4141603-3M	3 METRE LENGTH
20MM X 3MM ALUMINIUM HEAT SINK		
	HCP-4142003	CUSTOM CUT LENGTH: CUT TO SUPPLIED MEASUREMENTS UP TO 3000MM
	HCP-4142003-3M	3 METRE LENGTH

ALUMINIUM BAR CANOPIES	
MATERIAL	ALUMINIUM
COLOUR/FINISH	MATT BLACK, MATT WHITE, SATIN CHROME
WEIGHT LIMITS	2KG
INSTALLATION TYPE	SURFACE MOUNT
IP RATING	IP20



<p>500MM PENDANT CANOPY</p> <p>HCP-482008</p> 	<p>800MM PENDANT CANOPY</p> <p>HCP-482009</p> 
<p>500MM PENDANT CANOPY</p> <p>HCP-483008</p> 	<p>800MM PENDANT CANOPY</p> <p>HCP-483009</p> 
<p>500MM PENDANT CANOPY</p> <p>HCP-484008</p> 	<p>800MM PENDANT CANOPY</p> <p>HCP-484009</p> 

ALUMINIUM CANOPIES	
MATERIAL	ALUMINIUM
COLOUR/FINISH	MATT BLACK, MATT WHITE, SATIN CHROME
WEIGHT LIMITS	SURFACE MOUNT = 2KG
	RECESSED = 1KG
INSTALLATION TYPE	SURFACE MOUNT OR RECESSED
CUT OUT	90MM (RECESSED MODELS ONLY)
IP RATING	IP20

70MM ROUND SURFACE MOUNT	70MM ROUND SURFACE MOUNT	70MM ROUND SURFACE MOUNT
HCP-482001 	HCP-483001 	HCP-484001 
100MM ROUND RECESSED	100MM ROUND RECESSED	100MM ROUND RECESSED
HCP-482002 (90MM CUT OUT) 	HCP-483002 (90MM CUT OUT) 	HCP-484002 (90MM CUT OUT) 
100X100MM SQUARE RECESSED	100X100MM SQUARE RECESSED	100X100MM SQUARE RECESSED
HCP-482003 (90MM CUT OUT) 	HCP-483003 (90MM CUT OUT) 	HCP-484003 (90MM CUT OUT) 
100MM ROUND SURFACE MOUNT	100MM ROUND SURFACE MOUNT	100MM ROUND SURFACE MOUNT
HCP-482004 	HCP-483004 	HCP-484004 
100X100MM SQUARE SURFACE MOUNT	100X100MM SQUARE SURFACE MOUNT	100X100MM SQUARE SURFACE MOUNT
HCP-482005 	HCP-483005 	HCP-484005 

24V DC WEATHERPROOF LED DRIVERS

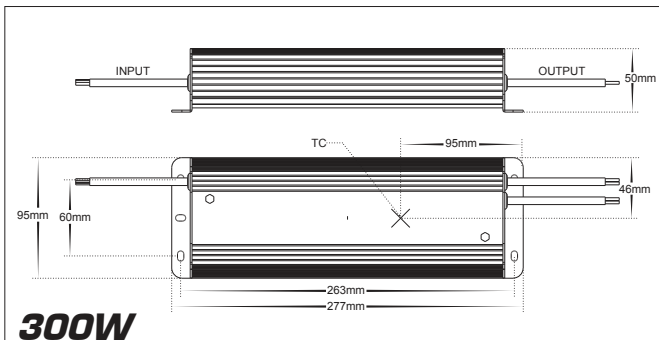
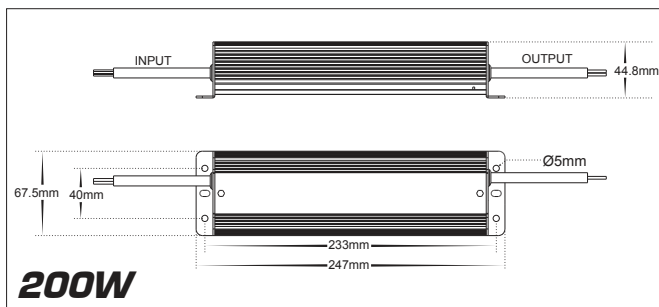
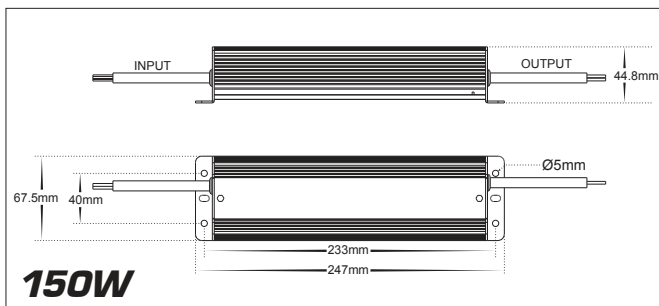
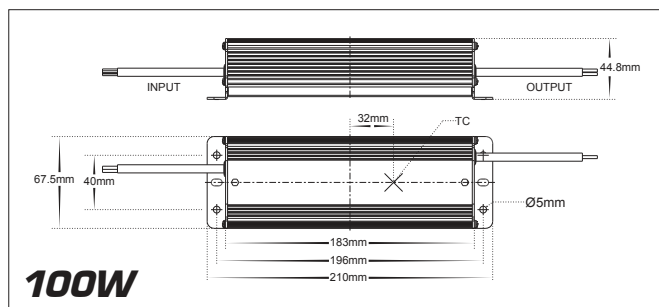
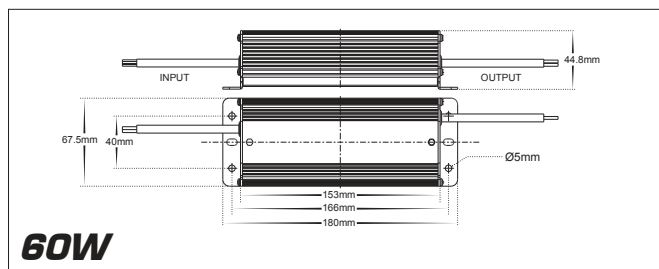
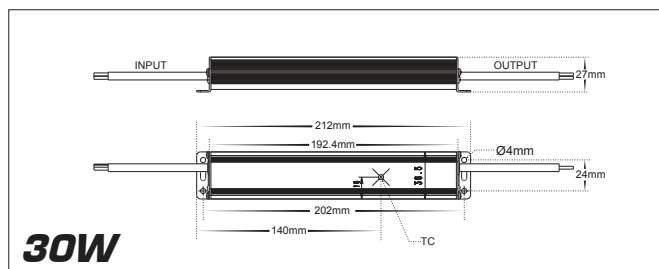
PRODUCT DATA

24V DC IP66 LED DRIVERS	
MATERIAL	ALUMINIUM
COLOUR/FINISH	SILVER
WORKING TEMPERATURE	-25°C TO +50°C
OVERLOAD PROTECTION	YES
SHORT CIRCUIT PROTECTION	YES
OVER VOLTAGE PROTECTION	YES
DIMMING	NO
INPUT VOLTAGE	240V AC (SUPPLIED WITH FLEX & PLUG)
OUTPUT VOLTAGE	24v DC CONSTANT VOLTAGE
DRIVER POWER	30W 60W 100W 150W 200W 300W
RECOMMENDED MAX. LOAD	24W 48W 80W 120W 160W 240W
IP RATING	IP66

PRODUCT ORDERING

WEATHERPROOF DRIVERS		
	30W	HCP-52220
	60W	HCP-52230
	100W	HCP-52240
	150W	HCP-52250
	200W	HCP-52260
	300W	HCP-52270

OTHER DATA



24V DC WEATHERPROOF LED DRIVERS



24V DC TRIAC DIMMABLE LED DRIVER

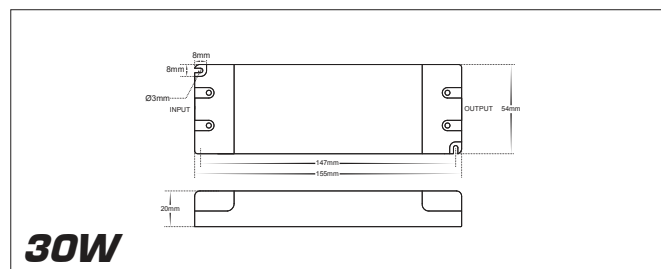
PRODUCT DATA

24V DC TRIAC DIMMABLE LED DRIVER	
MATERIAL	ALUMINIUM
COLOUR/FINISH	BLUE
WORKING TEMPERATURE	-40°C TO +60°C
OVERLOAD PROTECTION	YES
SHORT CIRCUIT PROTECTION	YES
OVER VOLTAGE PROTECTION	YES
DIMMING	TRIAC (LEADING OR TRAILING EDGE DIMMER)
INPUT VOLTAGE	240V AC (SUPPLIED WITH FLEX & PLUG)
OUTPUT VOLTAGE	24V DC CONSTANT VOLTAGE
DRIVER POWER	30W 60W 100W 150W 200W 300W
RECOMMENDED MAX. LOAD	24W 48W 80W 120W 160W 240W
IP RATING	30W 60W = IP20 100W 150W 200W 300W = IP66

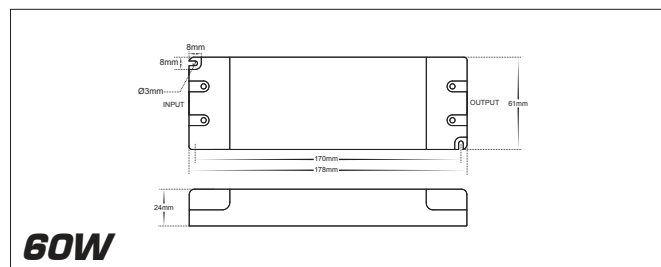
PRODUCT ORDERING

TRIAC DIMMABLE DRIVERS		
	30W	HCP-51221
	60W	HCP-51231
	100W	HCP-52241
	150W	HCP-52251
	200W	HCP-52261
	300W	HCP-52271

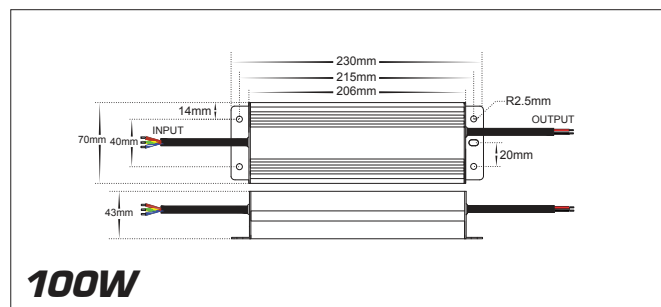
OTHER DATA



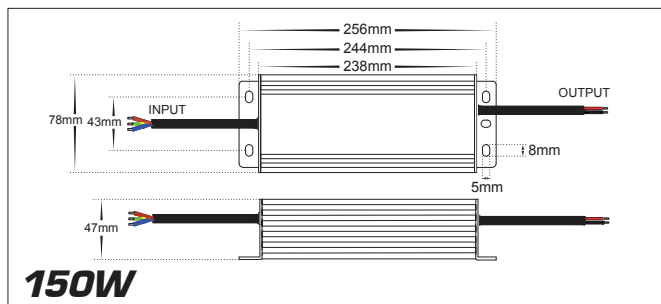
30W



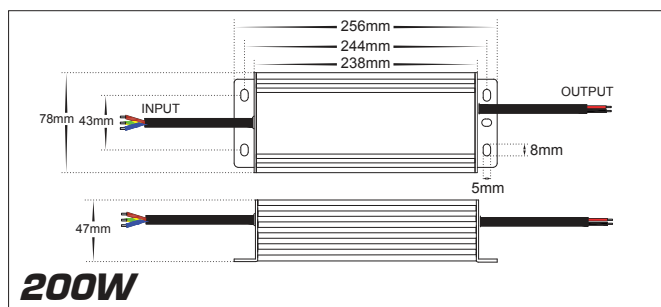
60W



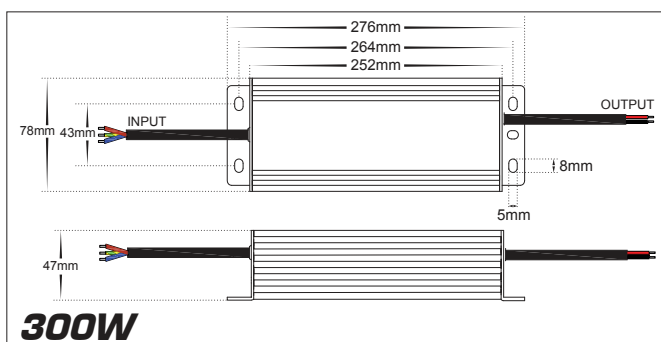
100W



150W



200W



300W

24V DC TRIAC DIMMABLE LED DRIVER







24V DC 0-1/10V + TRIAC DIMMABLE LED DRIVERS

PRODUCT DATA

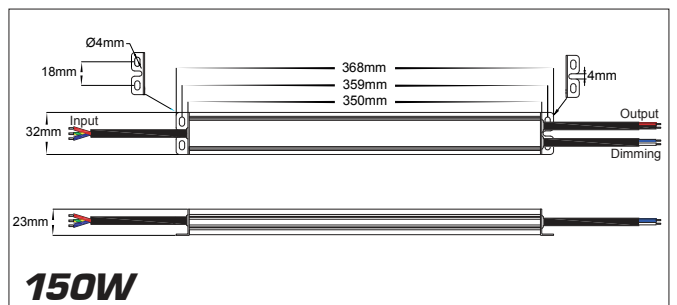
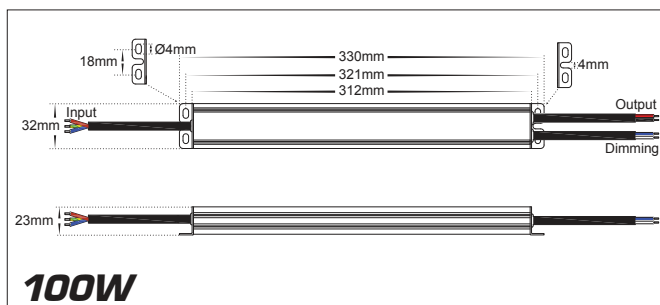
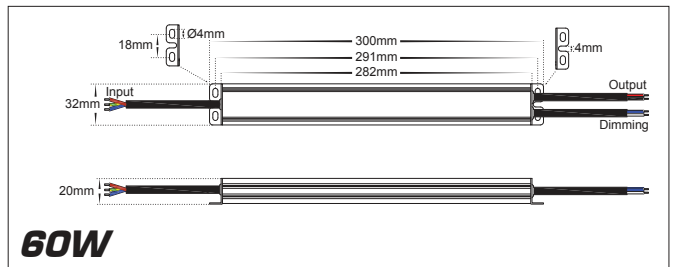
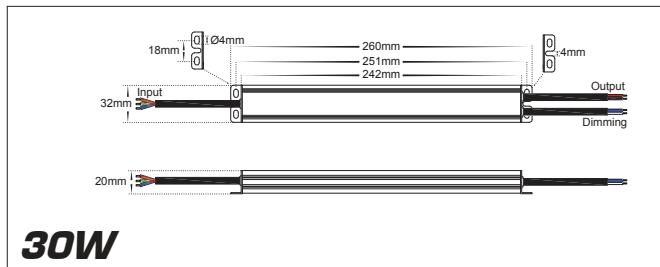
0-1/10V+ TRIAC DIMMABLE LED DRIVERS	
MATERIAL	ALUMINIUM
COLOUR/FINISH	BLUE
WORKING TEMPERATURE	-40°C TO +60°C
OVERLOAD PROTECTION	YES
SHORT CIRCUIT PROTECTION	YES
OVER VOLTAGE PROTECTION	YES
DIMMING	0/1-10V DIMMING + TRIAC
INPUT VOLTAGE	240V AC (SUPPLIED WITH FLEX & PLUG)
OUTPUT VOLTAGE	24V DC CONSTANT VOLTAGE
DRIVER POWER	30W 60W 100W 150W
RECOMMENDED MAX. LOAD	24W 48W 80W 120W
IP RATING	IP66

PRODUCT ORDERING

WEATHERPROOF DRIVERS		
	30W	HCP-52222
	60W	HCP-52232
	100W	HCP-52242
	150W	HCP-52252



OTHER DATA






24V DC DALI DIMMABLE LED DRIVERS

PRODUCT DATA

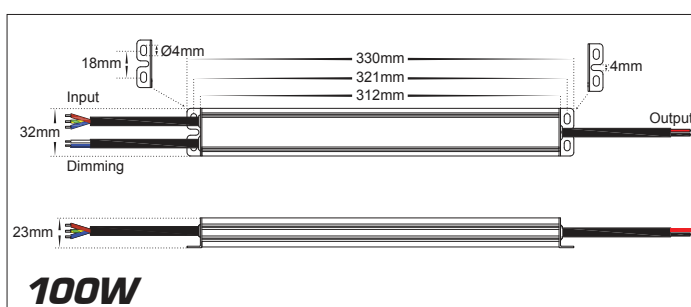
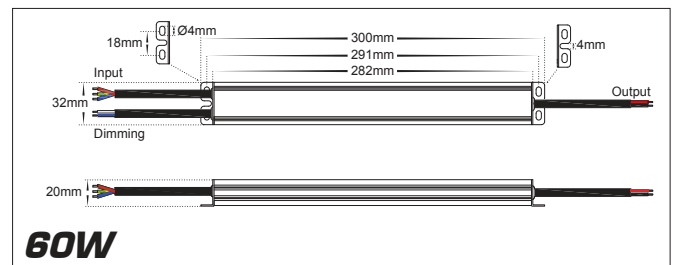
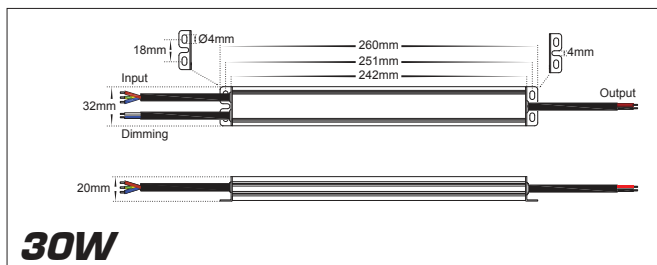
24V DC DALI DIMMABLE LED DRIVERS	
MATERIAL	ALUMINIUM
COLOUR/FINISH	BLUE
WORKING TEMPERATURE	-40°C TO +60°C
OVERLOAD PROTECTION	YES
SHORT CIRCUIT PROTECTION	YES
OVER VOLTAGE PROTECTION	YES
DIMMING	DALI DIMMABLE
INPUT VOLTAGE	240V AC (SUPPLIED WITH FLEX & PLUG)
OUTPUT VOLTAGE	24V DC CONSTANT VOLTAGE
DRIVER POWER	30W 60W 100W
RECOMMENDED MAX. LOAD	24W 48W 80W
IP RATING	IP66

PRODUCT ORDERING

WEATHERPROOF DRIVERS		
	30W	HCP-52223
	60W	HCP-52233
	100W	HCP-52243



OTHER DATA



24V DC DALI + PUSH DIM DIMMABLE DRIVERS

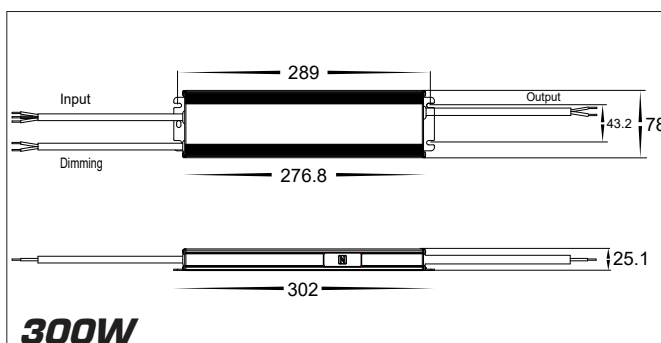
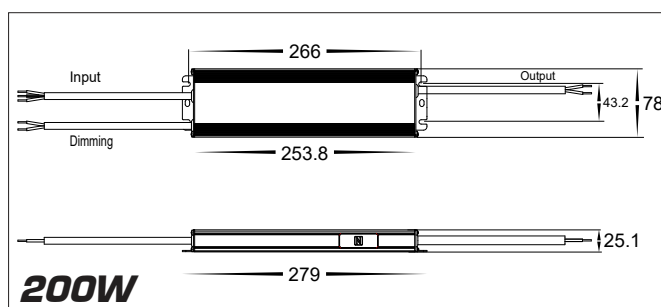
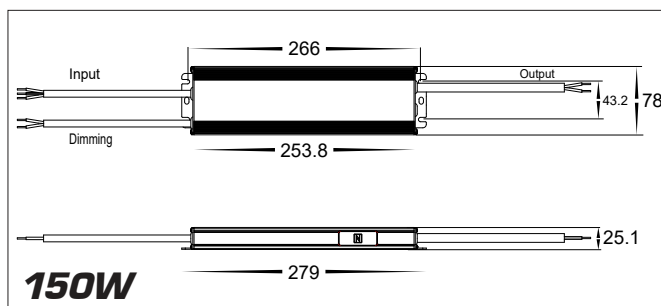
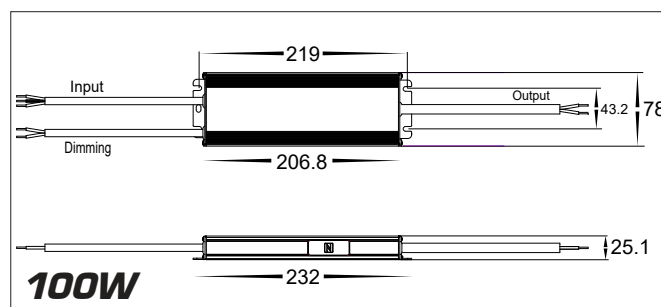
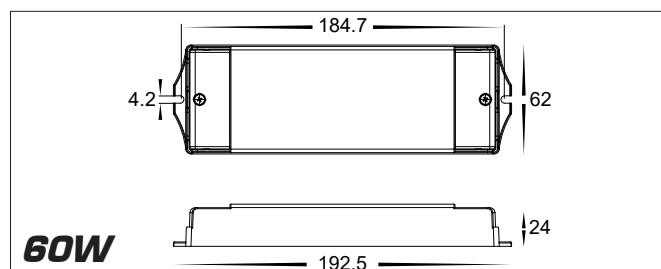
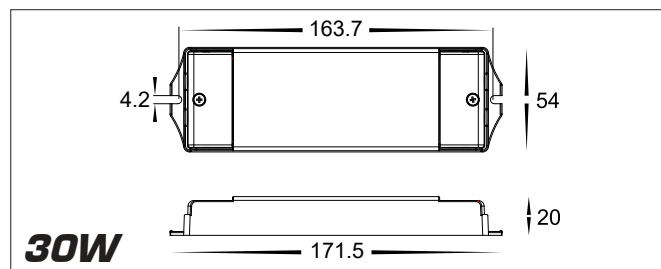
PRODUCT DATA

24V DC DALI + PUSH DIM DIMMABLE DRIVERS	
MATERIAL	ALUMINIUM
COLOUR/FINISH	SILVER
WORKING TEMPERATURE	-40°C TO 60°C
OVERLOAD PROTECTION	YES
SHORT CIRCUIT PROTECTION	YES
OVER VOLTAGE PROTECTION	YES
DIMMING	DALI + PUSH DIM
INPUT VOLTAGE	240V AV
OUTPUT VOLTAGE	24V DC CONSTANT VOLTAGE
DRIVER POWER	30W 60W 100W 150W 200W 300W
RECOMMENDED MAX. LOAD	24W 48W 80W 120W 160W 240W
IP RATING	30W 60W = IP20 100W 150W 200W 300W = IP66

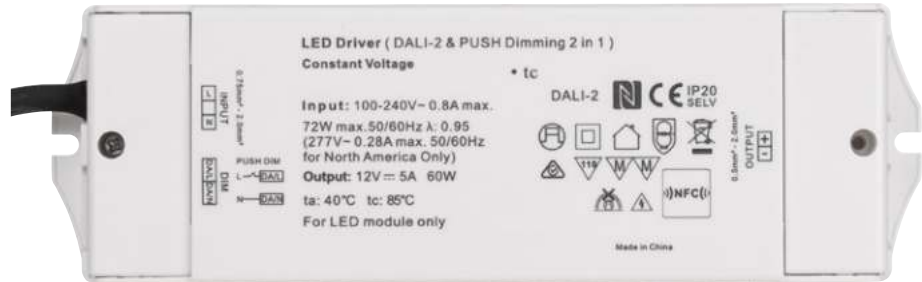
PRODUCT ORDERING

DALI + PUSH DIM DRIVER		
	30W	HCP-522231
	60W	HCP-522331
	100W	HCP-522431
	150W	HCP-522531
	200W	HCP-522631
	300W	HCP-522731

OTHER DATA



24V DC DALI + PUSH DIM DIMMABLE DRIVERS



15
LED DRIVERS


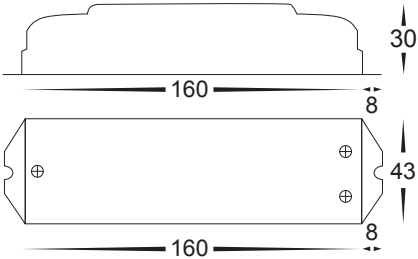
SINGLE CHANNEL 0/1-10V LED STRIP CONTROLLER



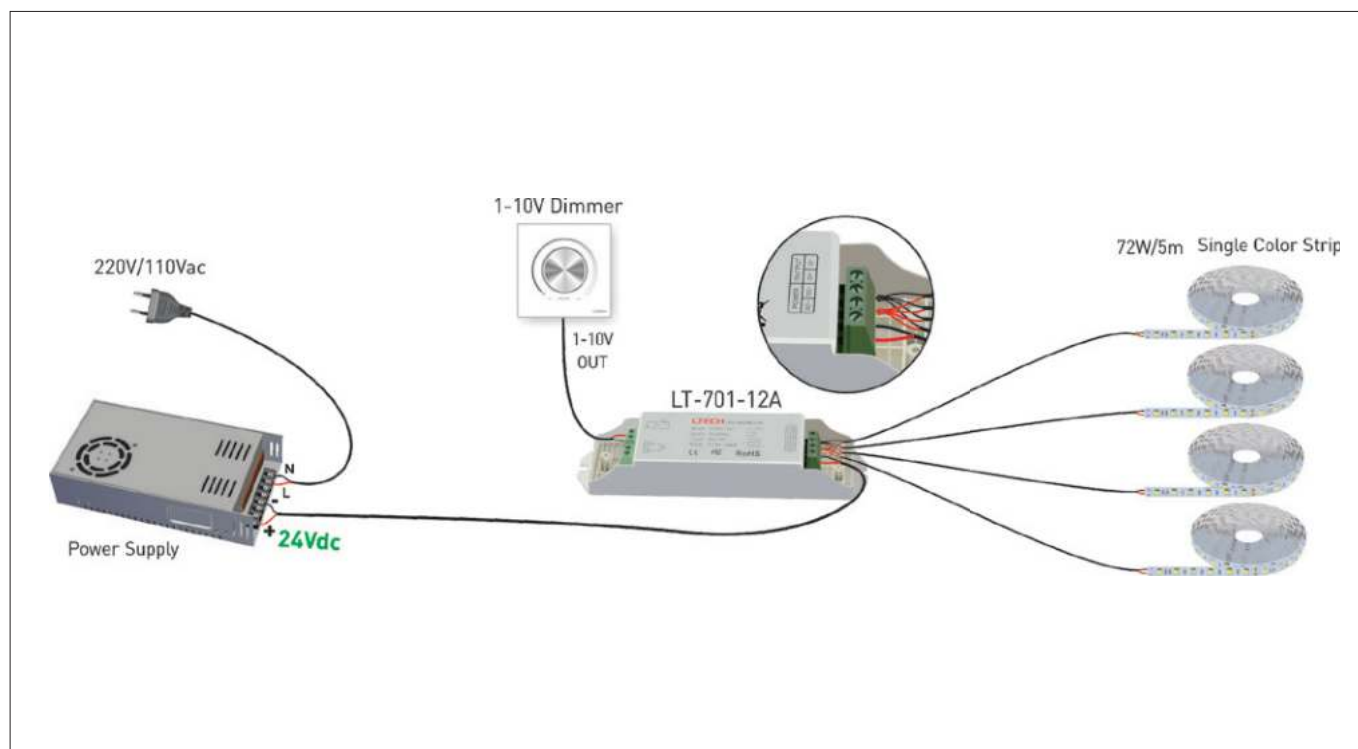
PRODUCT DATA

SINGLE CHANNEL 0/1-10V	
MATERIAL	PLASTIC
COLOUR/FINISH	WHITE
LED STRIP TYPE	SINGLE COLOUR
NO. OF CHANNELS	1
INPUT VOLTAGE	24V DC
OUTPUT POWER	288W
DIMMING	0-10V, 1-10V, 10V PWM
DIMMING RANGE	0-100%
PROTECTION	OVERLOAD & SHORT CIRCUIT
WORKING TEMP	-30°C - 55°C
WEIGHT	130G
IP RATING	IP20

PRODUCT ORDERING

LED STRIP CONTROLLER		
	HCP-71211	288W
DIMENSIONS		
		

SAMPLE WIRING DIAGRAM


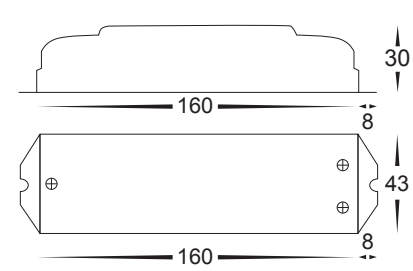




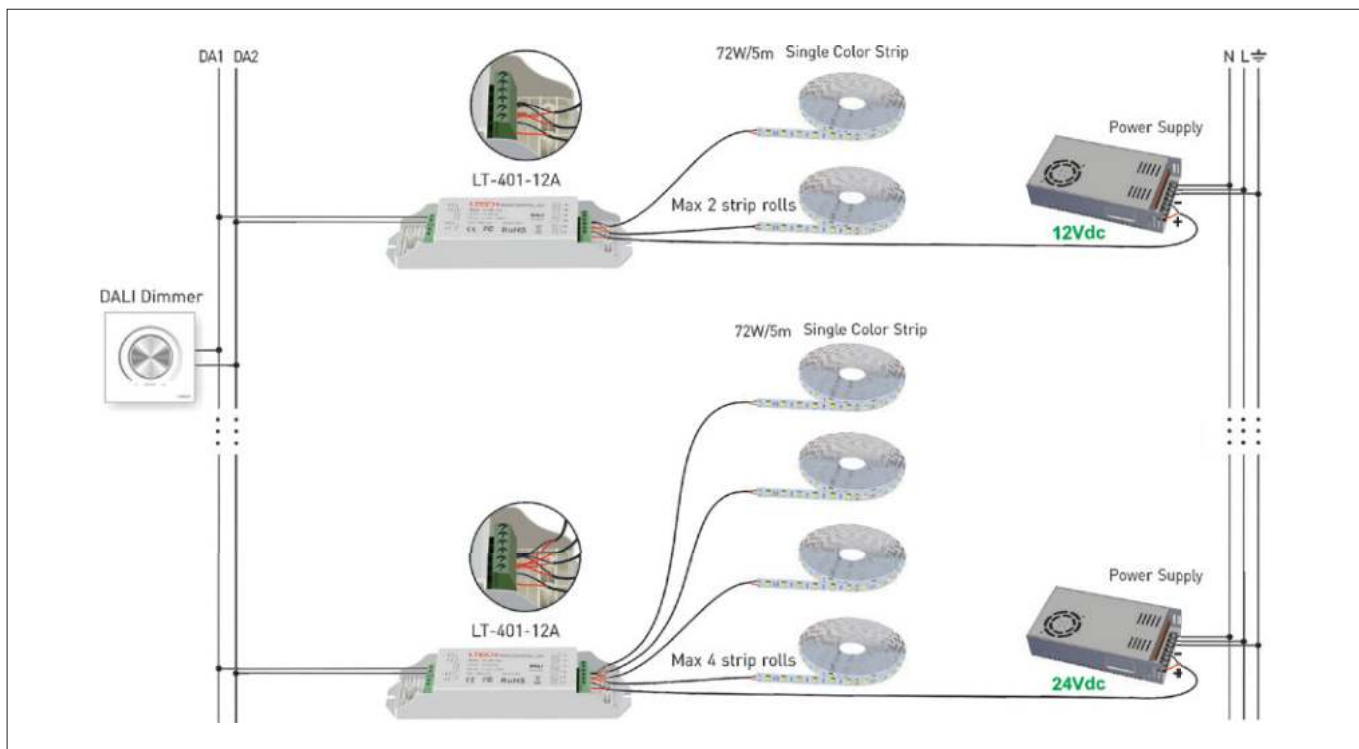
PRODUCT DATA

SINGLE CHANNEL DALI	
MATERIAL	PLASTIC
COLOUR/FINISH	WHITE
LED STRIP TYPE	SINGLE COLOUR
NO. OF CHANNELS	1
INPUT VOLTAGE	24V DC
OUTPUT POWER	288W
DIMMING	DALI DIMMABLE
DIMMING RANGE	0-100%
PROTECTION	OVERLOAD & SHORT CIRCUIT
WORKING TEMP	-30°C - 55°C
WEIGHT	135G
IP RATING	IP20

PRODUCT ORDERING

LED STRIP CONTROLLER		
	HCP-72211	288W
DIMENSIONS		
		

SAMPLE WIRING DIAGRAM




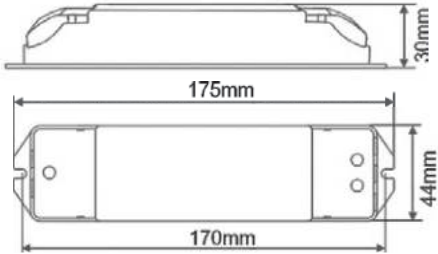
SINGLE CHANNEL DMX LED STRIP DECODER



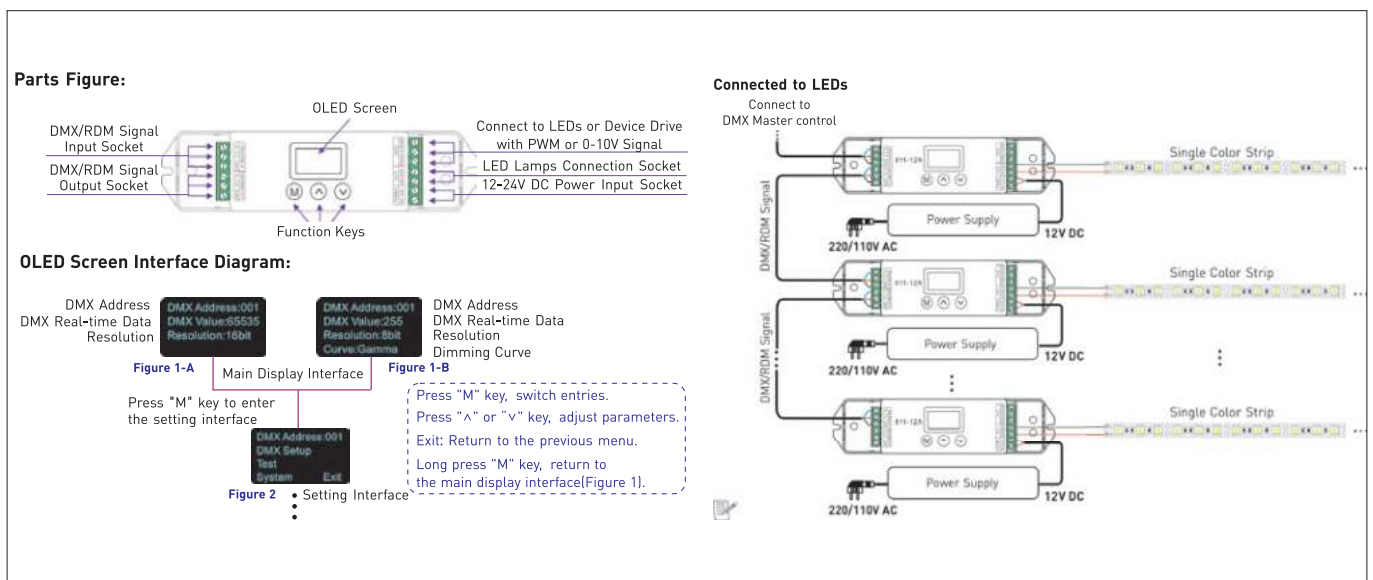
PRODUCT DATA

SINGLE CHANNEL DMX	
MATERIAL	PLASTIC
COLOUR/FINISH	WHITE
LED STRIP TYPE	SINGLE COLOUR
NO. OF CHANNELS	1
INPUT VOLTAGE	24V DC
OUTPUT POWER	288W
DIMMING	DMX 512 DIMMABLE
DIMMING RANGE	0-100%
PROTECTION	OVERLOAD & SHORT CIRCUIT
WORKING TEMP	-30°C - 55°C
WEIGHT	160G
IP RATING	IP20

PRODUCT ORDERING

LED STRIP CONTROLLER		
	HCP-73211	288W
DIMENSIONS		
		

SAMPLE WIRING DIAGRAM





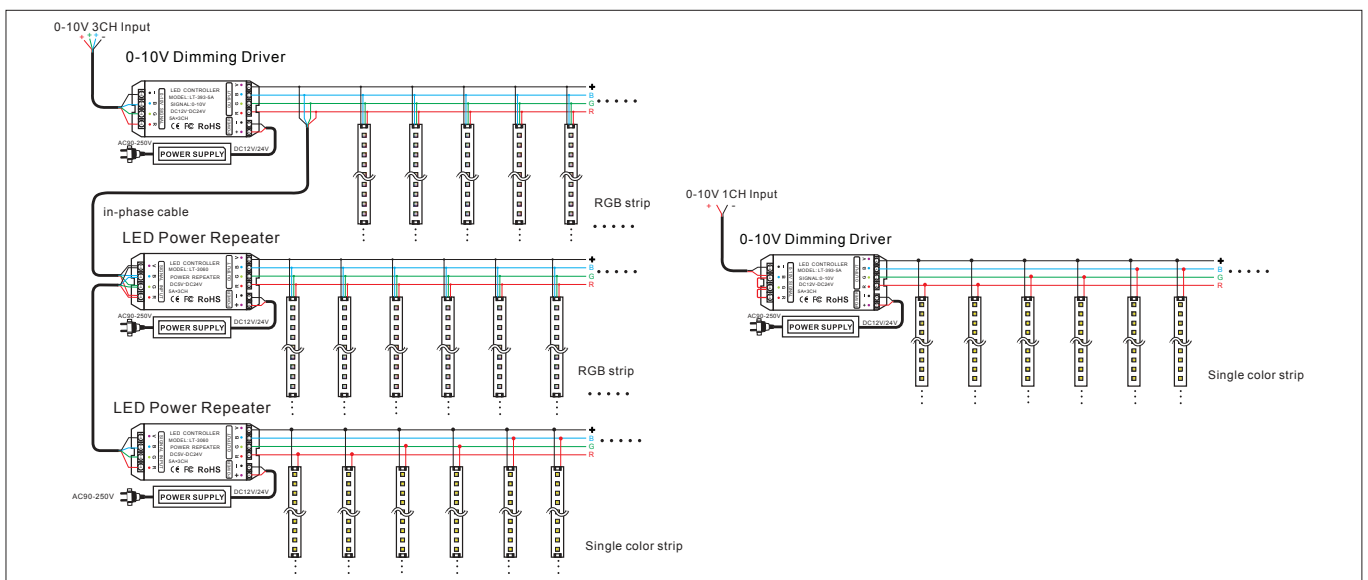
PRODUCT DATA

RGB THREE CHANNEL 0/1-10V	
MATERIAL	PLASTIC
COLOUR/FINISH	WHITE
LED STRIP TYPE	RGB
NO. OF CHANNELS	3
INPUT VOLTAGE	24V DC
OUTPUT POWER	360W (3X 120W)
DIMMING	0-10V, 1-10V, 10V PWM
DIMMING RANGE	0-100%
PROTECTION	OVERLOAD & SHORT CIRCUIT
WORKING TEMP	-30°C - 55°C
WEIGHT	135G
IP RATING	IP20

PRODUCT ORDERING

LED STRIP CONTROLLER		
	HCP-71221	360W
DIMENSIONS		

SAMPLE WIRING DIAGRAM



THREE CHANNEL DMX LED STRIP DECODER



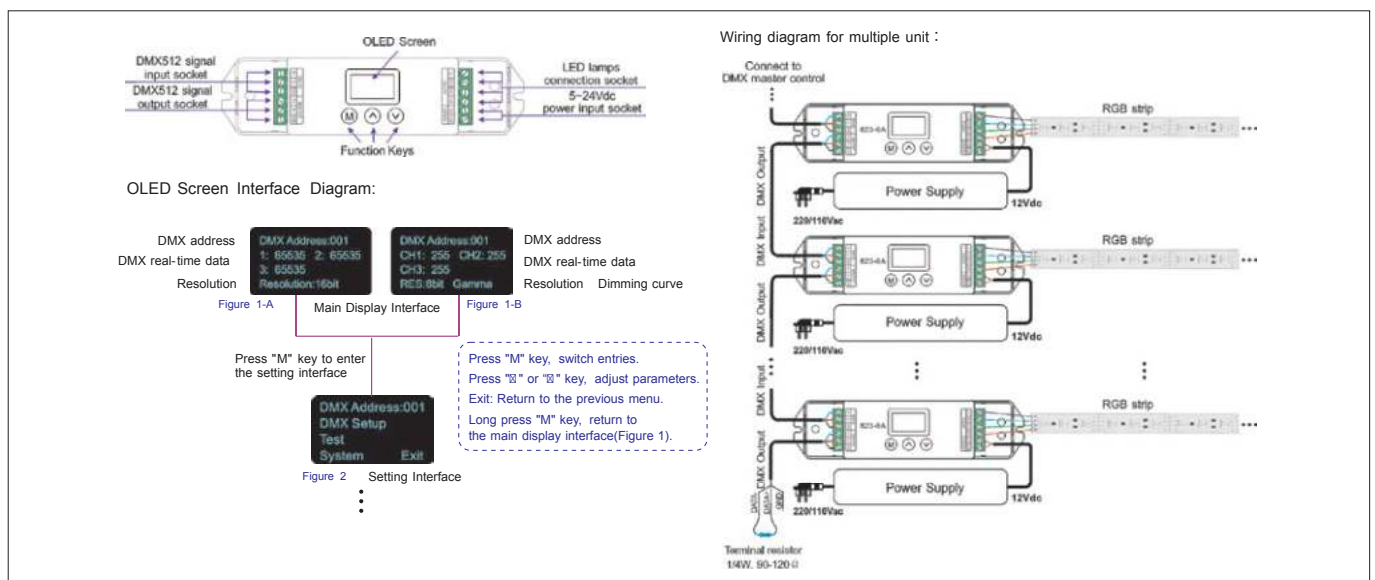
PRODUCT DATA

RGB THREE CHANNEL DMX	
MATERIAL	PLASTIC
COLOUR/FINISH	WHITE
LED STRIP TYPE	RGB
NO. OF CHANNELS	3
INPUT VOLTAGE	24V DC
OUTPUT POWER	432W (3X 144W)
DIMMING	DMX 512 DIMMABLE
DIMMING RANGE	0-100%
PROTECTION	OVERLOAD & SHORT CIRCUIT
WORKING TEMP	-30°C - 55°C
WEIGHT	160G
IP RATING	IP20

PRODUCT ORDERING

LED STRIP CONTROLLER		
	HCP-73221	432W
DIMENSIONS		

SAMPLE WIRING DIAGRAM


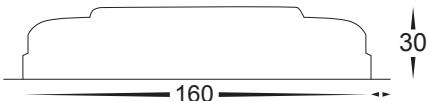
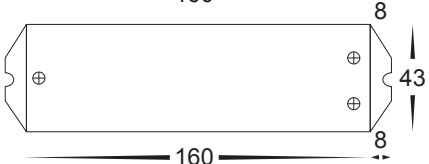




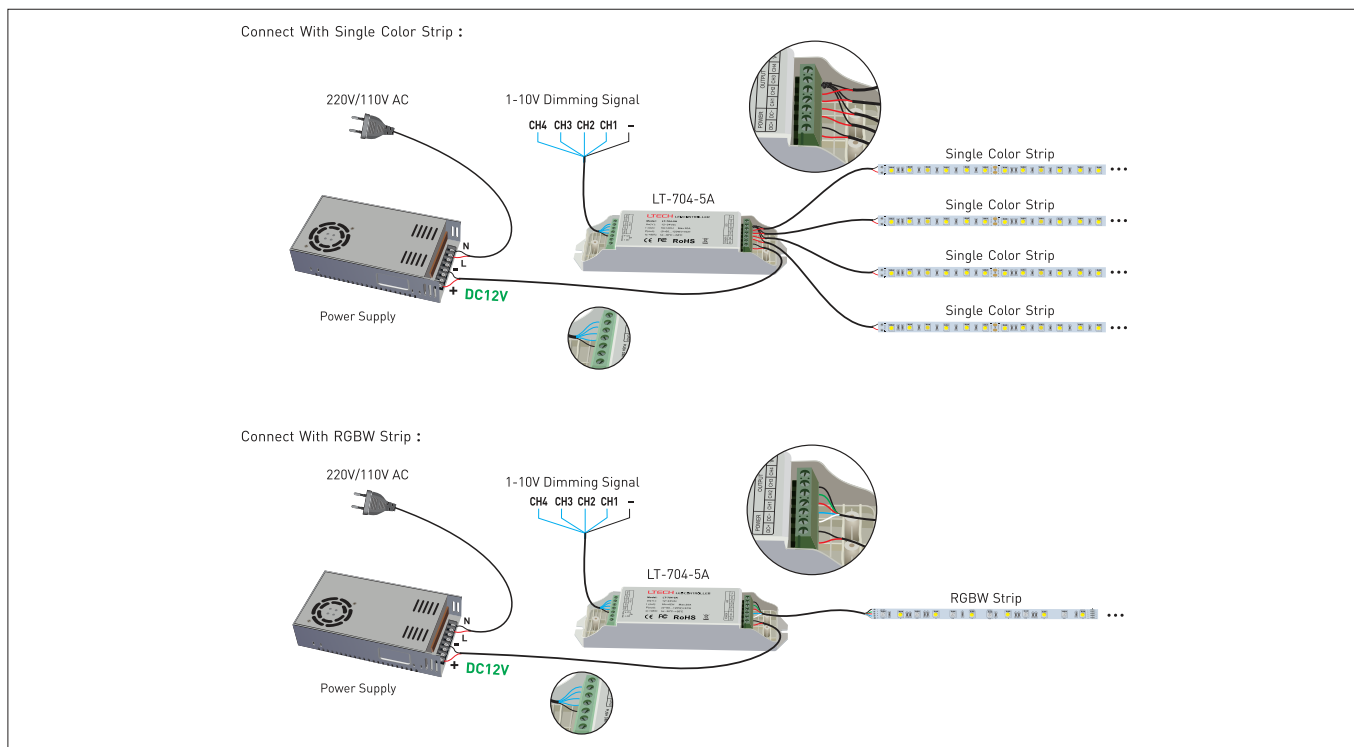
PRODUCT DATA

RGBC/RGBW FOUR CHANNEL 0/1-10V	
MATERIAL	PLASTIC
COLOUR/FINISH	WHITE
LED STRIP TYPE	RGBW
NO. OF CHANNELS	4
INPUT VOLTAGE	24V DC
OUTPUT POWER	480W (4X 120W)
DIMMING	0-10V, 1-10V, 10V PWM
DIMMING RANGE	0-100%
PROTECTION	OVERLOAD & SHORT CIRCUIT
WORKING TEMP	-30°C - 55°C
WEIGHT	135G
IP RATING	IP20

PRODUCT ORDERING

LED STRIP CONTROLLER		
	HCP-71231	480W
DIMENSIONS		
		
		

SAMPLE WIRING DIAGRAM




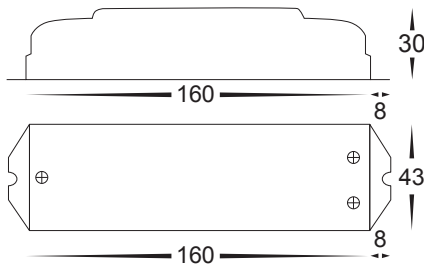
FOUR CHANNEL DALI LED STRIP CONTROLLER



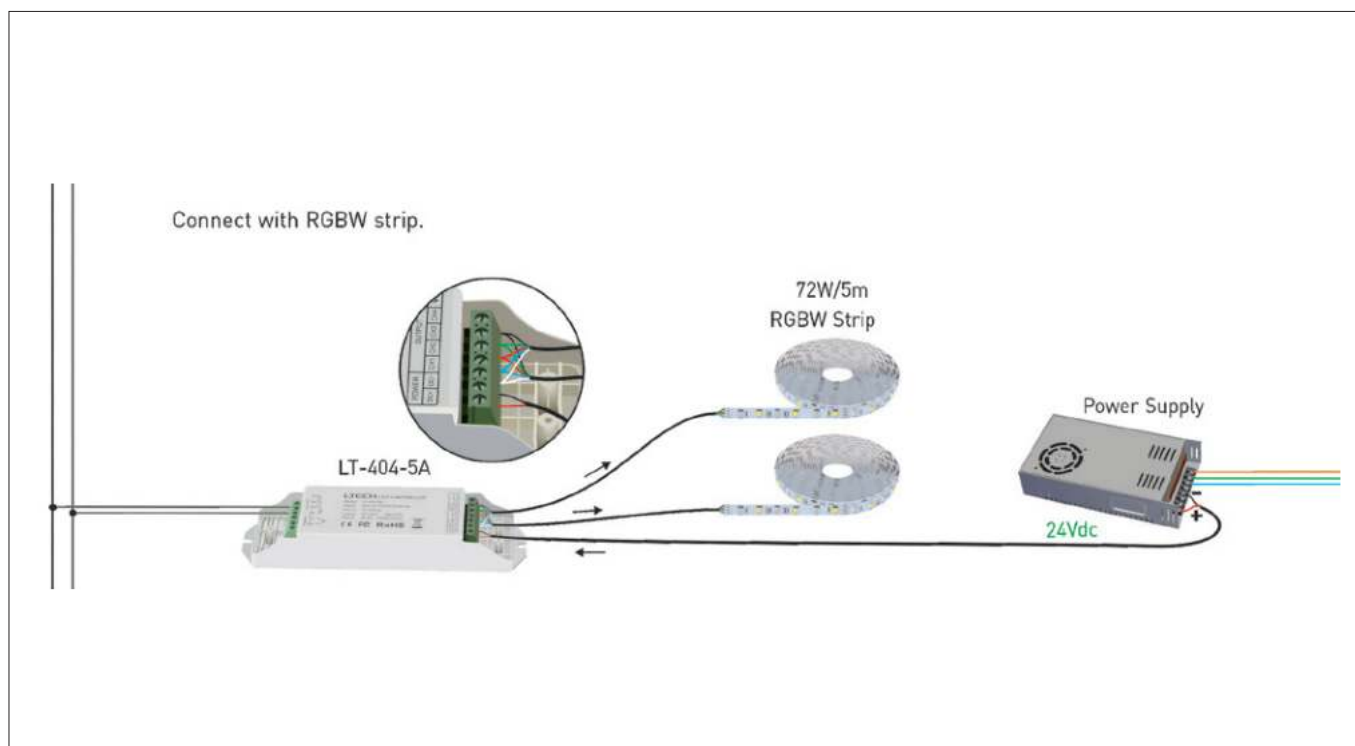
PRODUCT DATA

RGBC/RGBW FOUR CHANNEL DALI	
MATERIAL	PLASTIC
COLOUR/FINISH	WHITE
LED STRIP TYPE	RGBW
NO. OF CHANNELS	4
INPUT VOLTAGE	24V DC
OUTPUT POWER	480W (4X 120W)
DIMMING	DALI DIMMABLE
DIMMING RANGE	0-100%
PROTECTION	OVERLOAD & SHORT CIRCUIT
WORKING TEMP	-30°C - 55°C
WEIGHT	135G
IP RATING	IP20

PRODUCT ORDERING

LED STRIP CONTROLLER		
	HCP-72231	480W
DIMENSIONS		
		

SAMPLE WIRING DIAGRAM


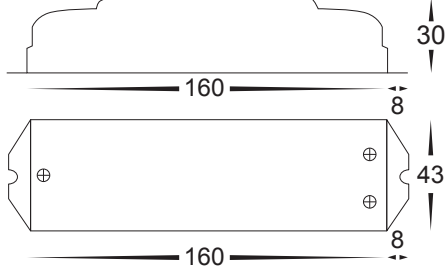




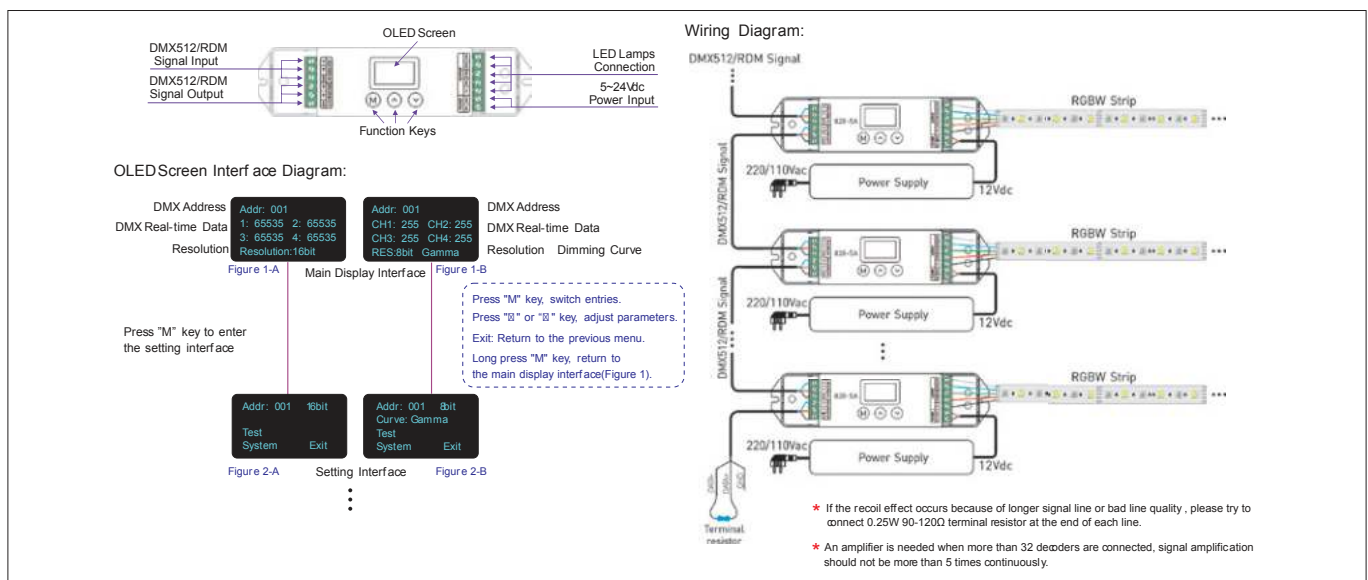
PRODUCT DATA

RGBC/RGBW FOUR CHANNEL DMX	
MATERIAL	PLASTIC
COLOUR/FINISH	WHITE
LED STRIP TYPE	RGBW
NO. OF CHANNELS	4
INPUT VOLTAGE	24V DC
OUTPUT POWER	480W (4X 120W)
DIMMING	DMX 512 DIMMABLE
DIMMING RANGE	0-100%
PROTECTION	OVERLOAD & SHORT CIRCUIT
WORKING TEMP	-30°C - 55°C
WEIGHT	175G
IP RATING	IP20

PRODUCT ORDERING

LED STRIP CONTROLLER		
	HCP-73231	480W
DIMENSIONS		
		

SAMPLE WIRING DIAGRAM



SINGLE CHANNEL LED STRIP REPEATER



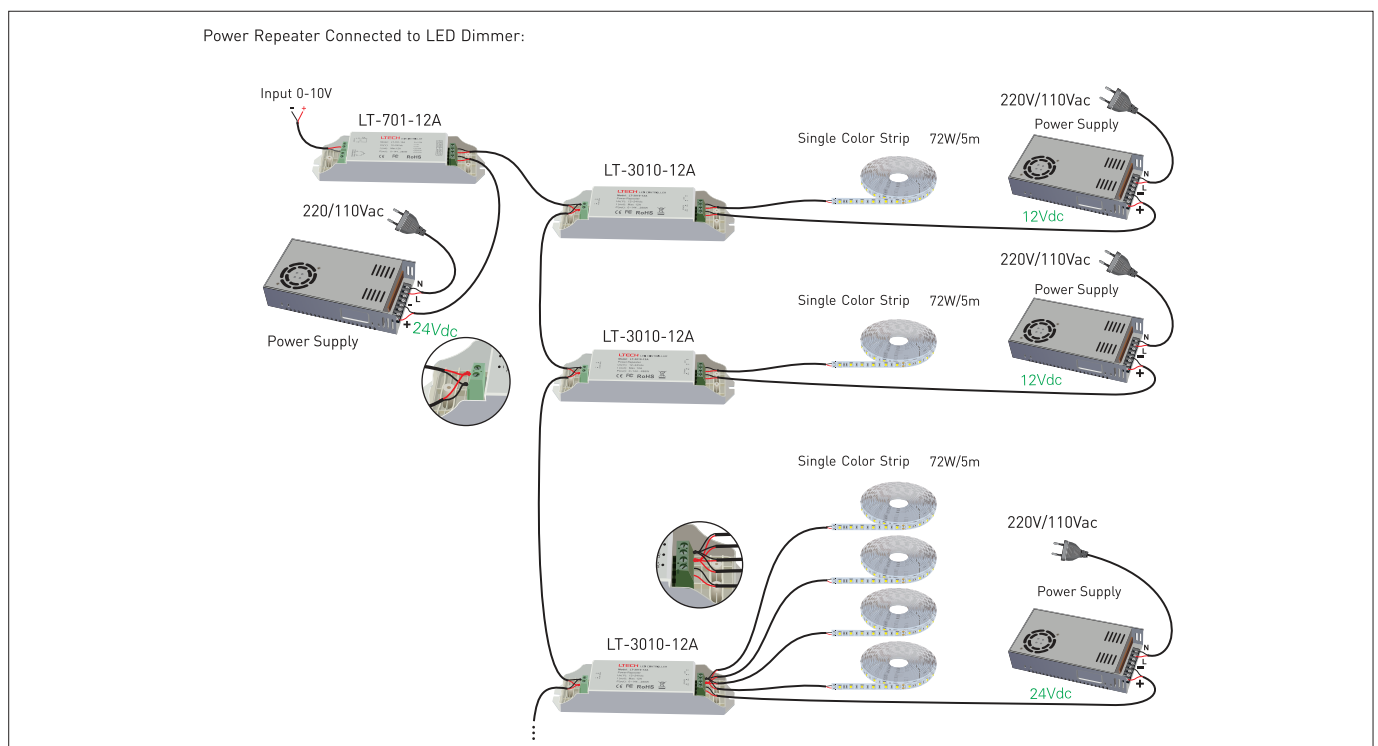
PRODUCT DATA

SINGLE CHANNEL REPEATER	
MATERIAL	PLASTIC
COLOUR/FINISH	WHITE
LED STRIP TYPE	SINGLE COLOUR
NO. OF CHANNELS	1
INPUT VOLTAGE	24V DC
OUTPUT POWER	288W
DIMMING	YES
DIMMING RANGE	0-100%
PROTECTION	OVERLOAD & SHORT CIRCUIT
WORKING TEMP	-30°C - 55°C
WEIGHT	135G
IP RATING	IP20

PRODUCT ORDERING

LED STRIP CONTROLLER		
	HCP-74211	288W
DIMENSIONS		

SAMPLE WIRING DIAGRAM


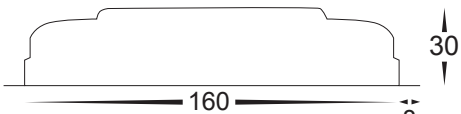
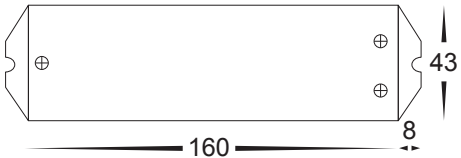




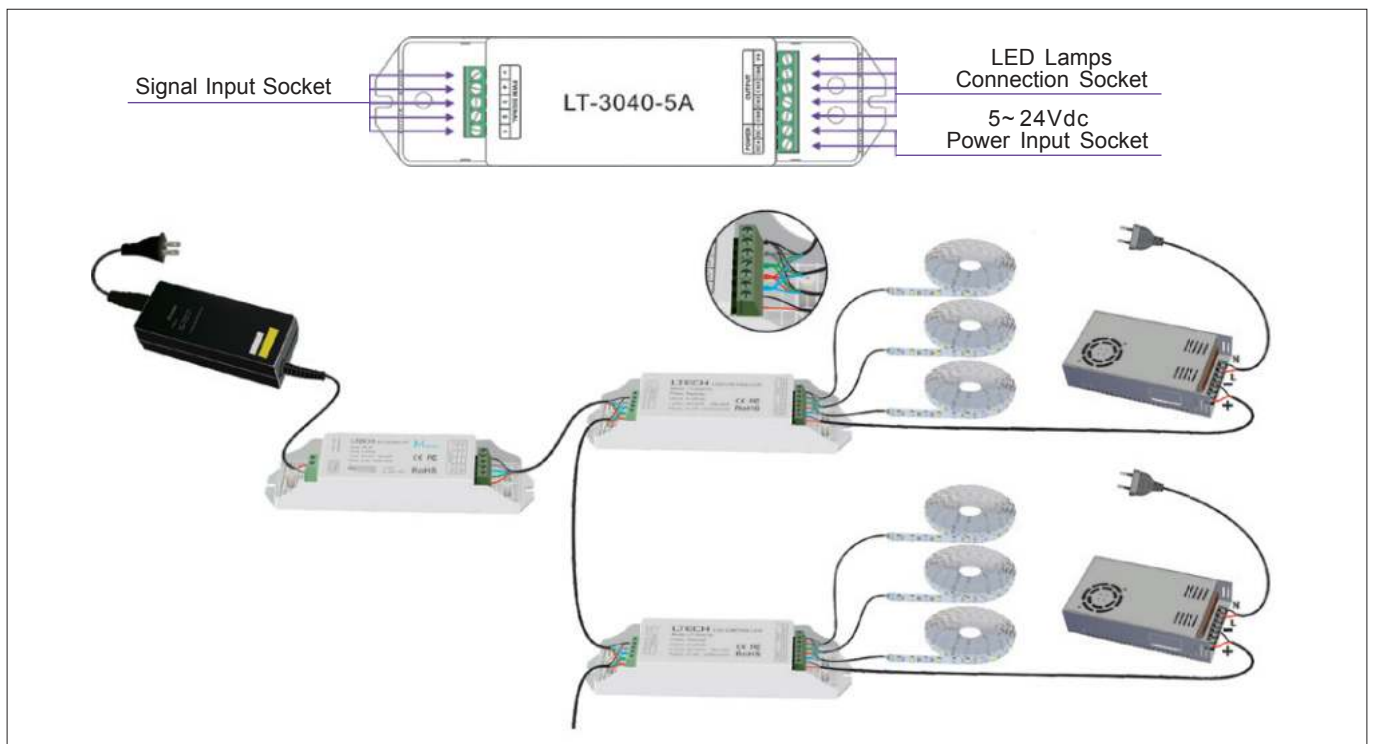
PRODUCT DATA

FOUR CHANNEL REPEATER	
MATERIAL	PLASTIC
COLOUR/FINISH	WHITE
LED STRIP TYPE	SINGLE COLOUR, RGB + RGBW
NO. OF CHANNELS	4
INPUT VOLTAGE	24V DC
OUTPUT POWER	480W (4X 120W)
DIMMING	YES
DIMMING RANGE	0-100%
PROTECTION	OVERLOAD & SHORT CIRCUIT
WORKING TEMP	-30°C - 55°C
WEIGHT	175G
IP RATING	IP20

PRODUCT ORDERING

LED STRIP CONTROLLER		
	HCP-74241	480W
DIMENSIONS		
		
		

SAMPLE WIRING DIAGRAM




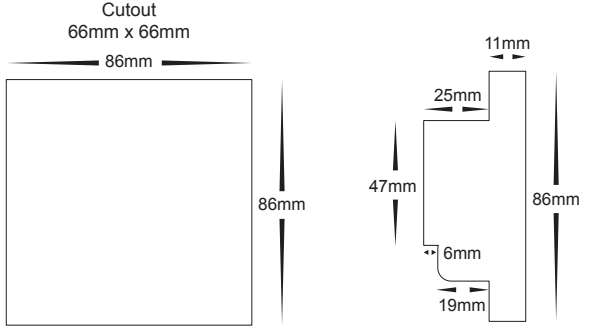
SINGLE COLOUR LED STRIP TOUCH PANEL CONTROLLER



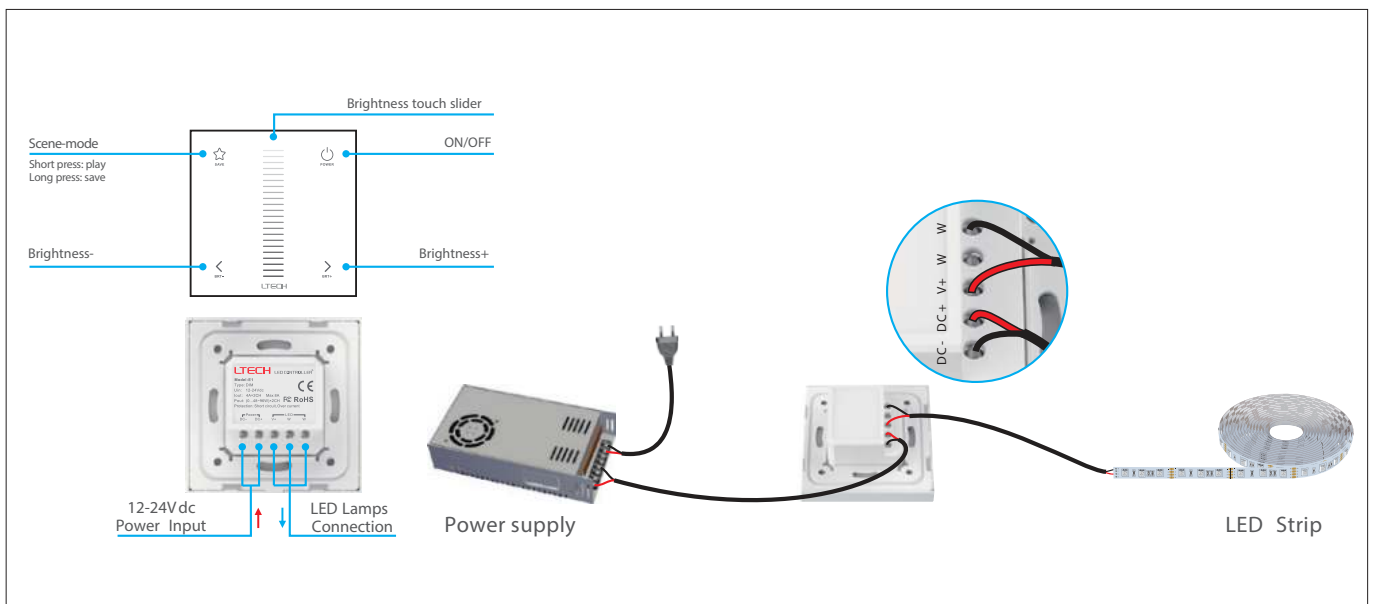
PRODUCT DATA

SINGLE COLOUR TOUCH PANEL	
MATERIAL	PLASTIC + GLASS
COLOUR/FINISH	WHITE
LED STRIP TYPE	SINGLE COLOUR
NO. OF CHANNELS	2
INPUT VOLTAGE	24V DC
OUTPUT POWER	192W (2X 96W)
DIMMING	YES
DIMMING RANGE	5% - 100%
PROTECTION	OVERLOAD & SHORT CIRCUIT
WORKING TEMP	-30°C - 55°C
WEIGHT	165G
IP RATING	IP20

PRODUCT ORDERING

LED STRIP CONTROLLER		
	HCP-75214	288W
DIMENSIONS		
		

SAMPLE WIRING DIAGRAM



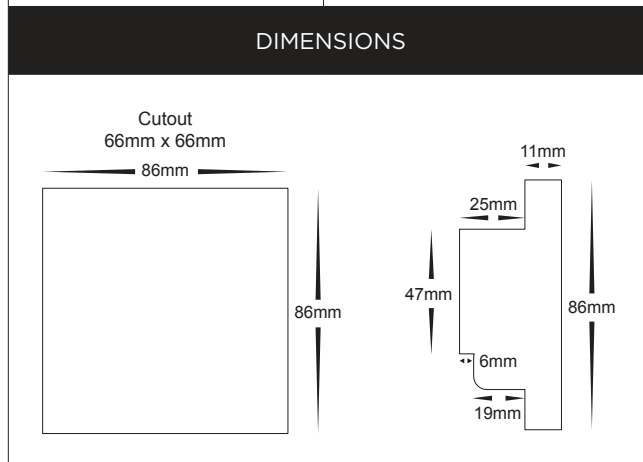


PRODUCT DATA

SINGLE COLOUR TOUCH PANEL	
MATERIAL	PLASTIC + GLASS
COLOUR/FINISH	WHITE
LED STRIP TYPE	SINGLE COLOUR
NO. OF CHANNELS	N/A
INPUT VOLTAGE	240V AC
OUTPUT SIGNAL	2.4GHZ + DMX512
DIMMING	YES
DIMMING RANGE	5% - 100%
PROTECTION	OVERLOAD & SHORT CIRCUIT
WORKING TEMP	-30°C - 55°C
WEIGHT	165G
IP RATING	IP20





PRODUCT ORDERING

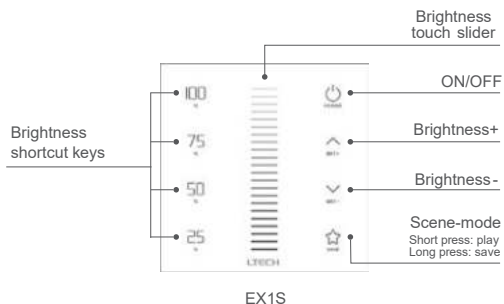
LED STRIP CONTROLLER	
	HCP-75212
COMPATIBLE RECEIVER	COMPATIBLE DMX DECODER
	



SAMPLE WIRING DIAGRAM

Key functions

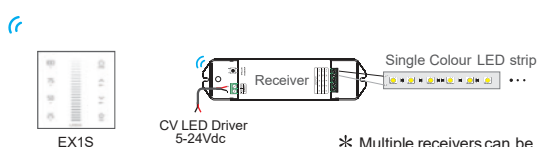
- * When blue indicator light of  key is on, long press  to turn on/off buzzer. When white indicator light of  key is on, long press  to match code.
- * EX panels scene-mode keys are corresponding with gateway APP's scenes, the scenes can be changed by APP or panel.



DMX Wiring



RF Wireless Wiring



* Multiple receivers can be matched up with EX1S within effective distance.

SINGLE COLOUR 4 ZONE LED STRIP TOUCH PANEL CONTROLLER

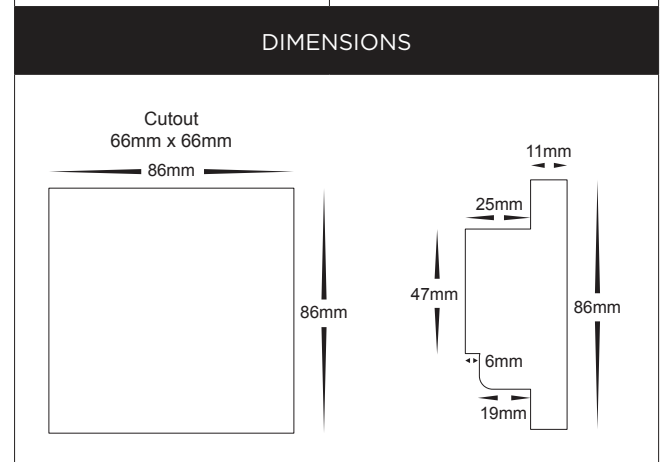


PRODUCT DATA

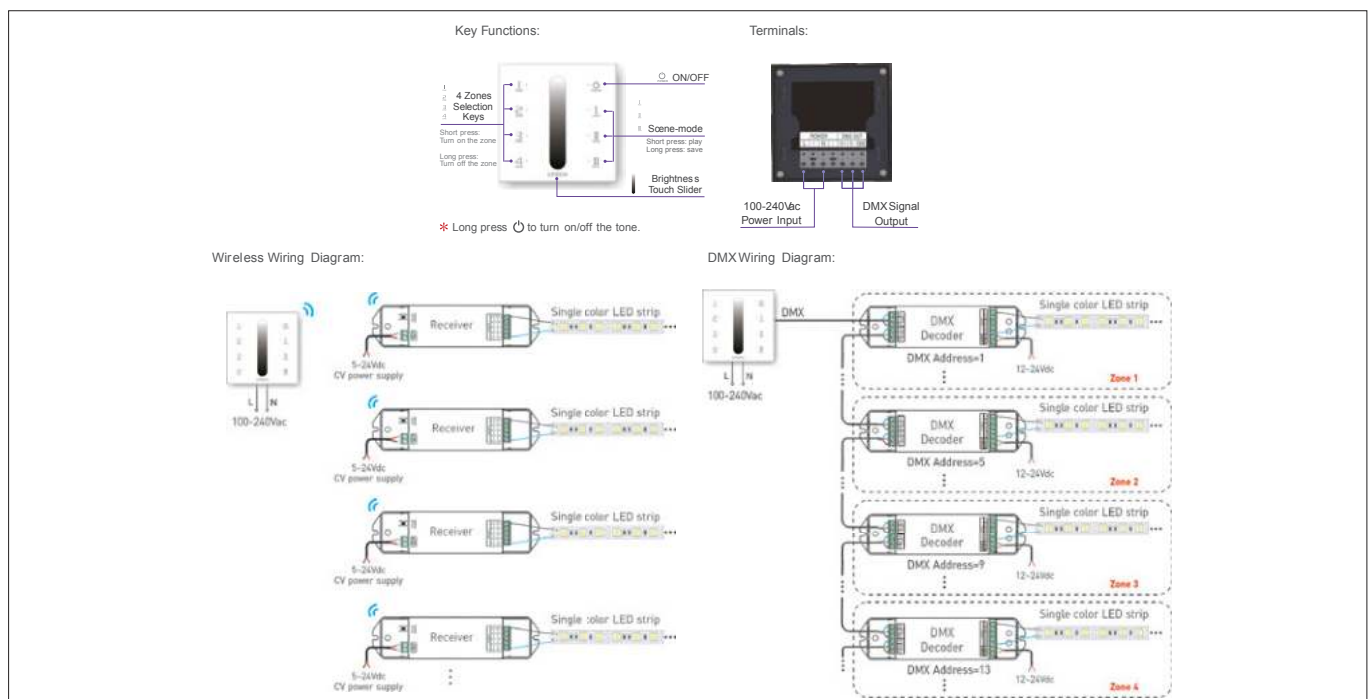
SINGLE COLOUR 4 ZONE TOUCH PANEL	
MATERIAL	PLASTIC + GLASS
COLOUR/FINISH	WHITE
LED STRIP TYPE	SINGLE COLOUR
NO. OF ZONES	4
INPUT VOLTAGE	240V AC
OUTPUT SIGNAL	2.4GHZ + DMX512
DIMMING	YES
DIMMING RANGE	5% - 100%
PROTECTION	OVERLOAD & SHORT CIRCUIT
WORKING TEMP	-30°C - 55°C
WEIGHT	165G
IP RATING	IP20

PRODUCT ORDERING

LED STRIP CONTROLLER	
	HCP-75213
COMPATIBLE RECEIVER	COMPATIBLE DMX DECODER
HCP-76241 	HCP-73211 



SAMPLE WIRING DIAGRAM



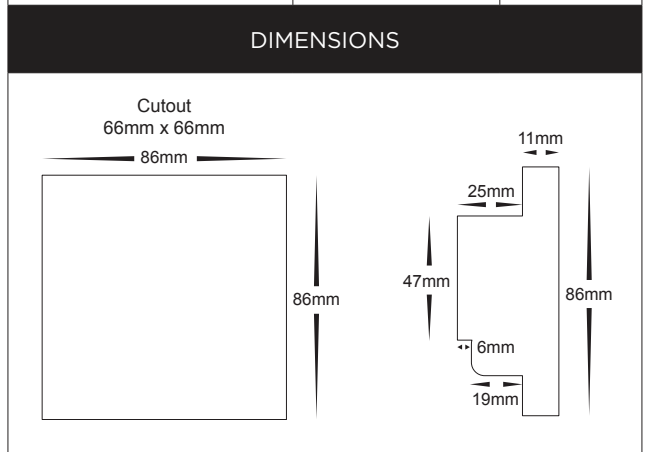


PRODUCT DATA

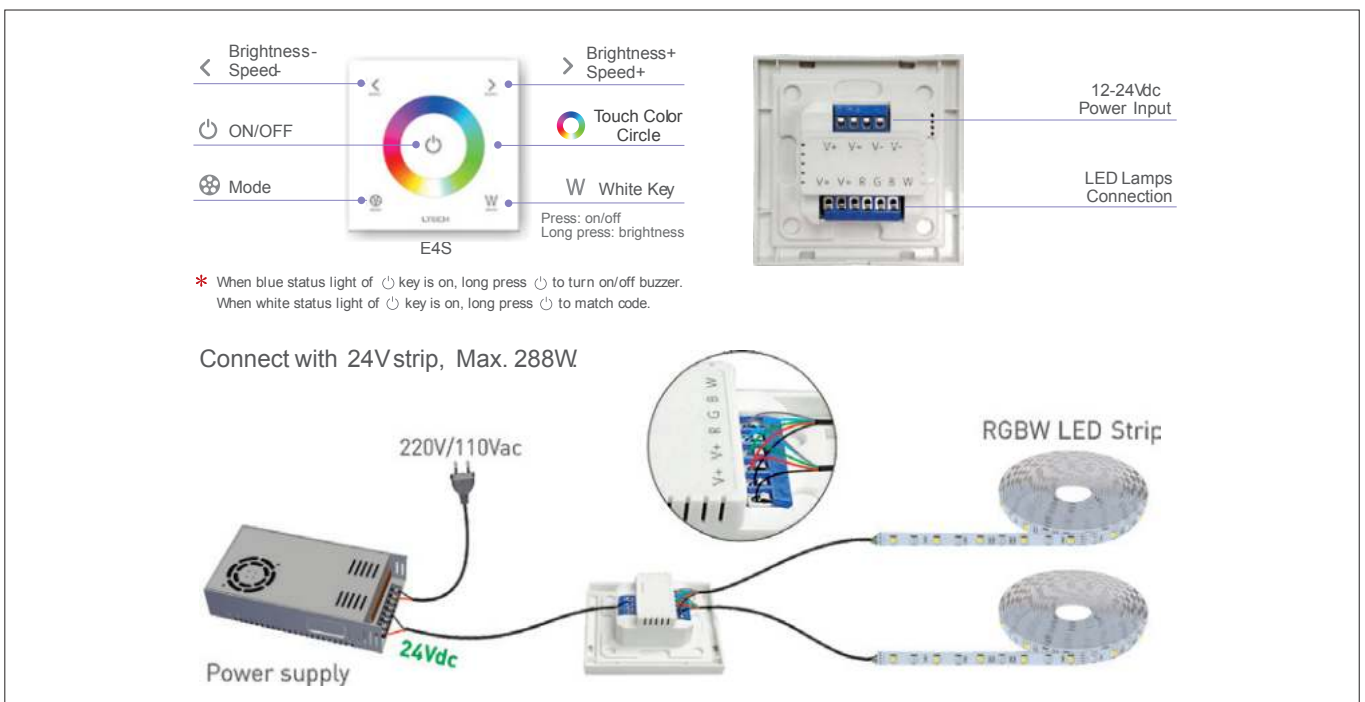
RGBW TOUCH PANEL	
MATERIAL	PLASTIC + GLASS
COLOUR/FINISH	WHITE
LED STRIP TYPE	RGBW
NO. OF CHANNELS	4
INPUT VOLTAGE	24V DC
OUTPUT POWER	288W (4X 72W)
DIMMING	YES
DIMMING RANGE	5% - 100%
PROTECTION	OVERLOAD & SHORT CIRCUIT
WORKING TEMP	-30°C - 55°C
WEIGHT	208G
IP RATING	IP20

PRODUCT ORDERING

LED STRIP CONTROLLER		
	HCP-75231	288W



SAMPLE WIRING DIAGRAM



RGBW LED STRIP TOUCH PANEL CONTROLLER

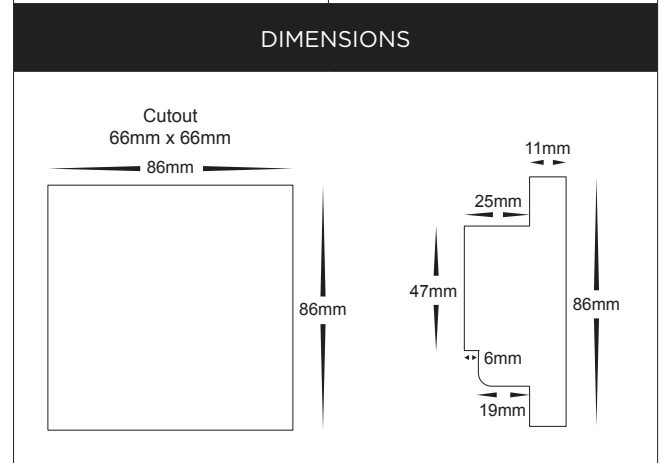


PRODUCT DATA

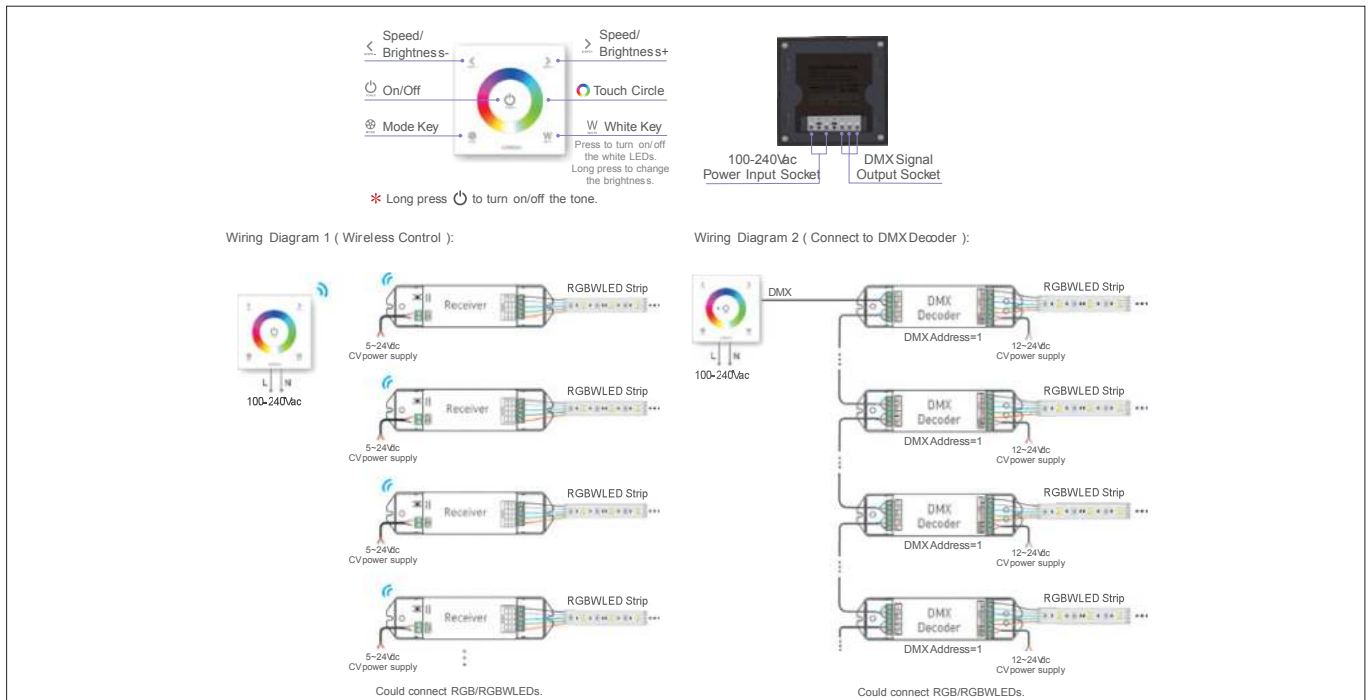
RGBW TOUCH PANEL	
MATERIAL	PLASTIC + GLASS
COLOUR/FINISH	WHITE
LED STRIP TYPE	RGBW
NO. OF CHANNELS	N/A
INPUT VOLTAGE	240V AC
OUTPUT SIGNAL	2.4GHZ + DMX512
DIMMING	YES
DIMMING RANGE	5% - 100%
PROTECTION	OVERLOAD & SHORT CIRCUIT
WORKING TEMP	-30°C - 55°C
WEIGHT	165G
IP RATING	IP20

PRODUCT ORDERING

LED STRIP CONTROLLER	
	HCP-75232
COMPATIBLE RECEIVER	COMPATIBLE DMX DECODER
HCP-76242 	HCP-73231 



SAMPLE WIRING DIAGRAM



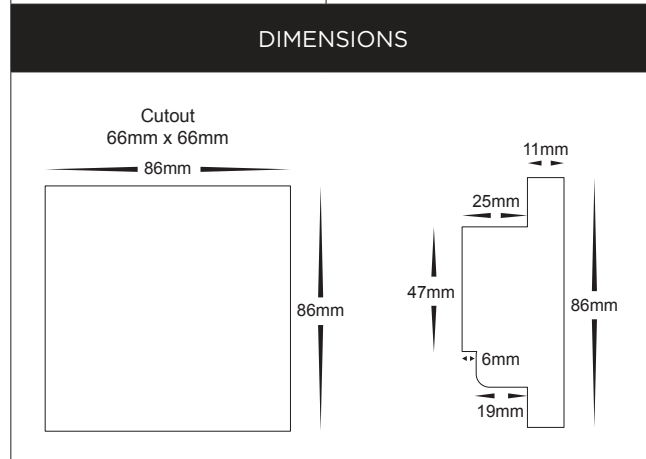


PRODUCT ORDERING

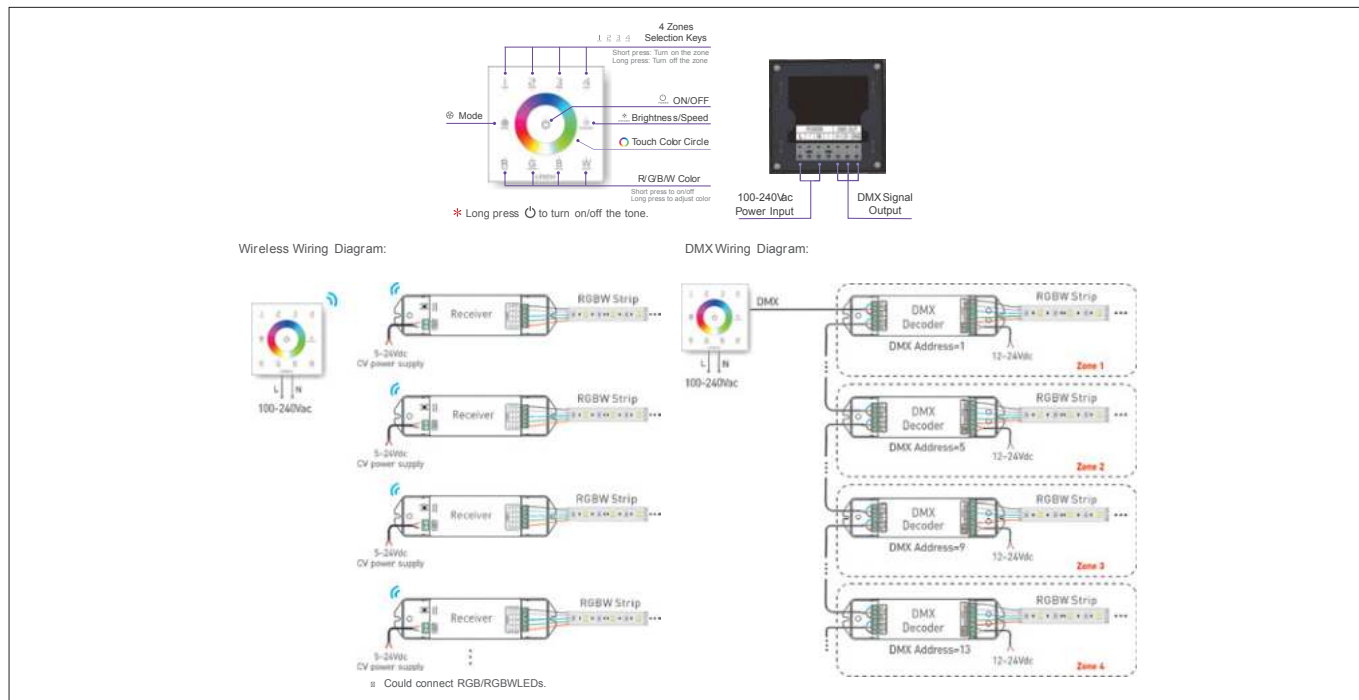
LED STRIP CONTROLLER	
	HCP-75233
COMPATIBLE RECEIVER	COMPATIBLE DMX DECODER
HCP-76242 	HCP-73231

PRODUCT DATA

RGBW TOUCH PANEL	
MATERIAL	PLASTIC + GLASS
COLOUR/FINISH	WHITE
LED STRIP TYPE	RGBW
NO. OF ZONES	4
INPUT VOLTAGE	240V AC
OUTPUT SIGNAL	2.4GHZ + DMX512
DIMMING	YES
DIMMING RANGE	5% - 100%
PROTECTION	OVERLOAD & SHORT CIRCUIT
WORKING TEMP	-30°C - 55°C
WEIGHT	165G
IP RATING	IP20



SAMPLE WIRING DIAGRAM




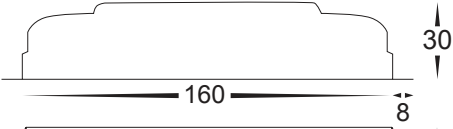
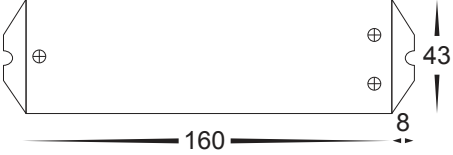
4 CHANNEL LED STRIP RECEIVER



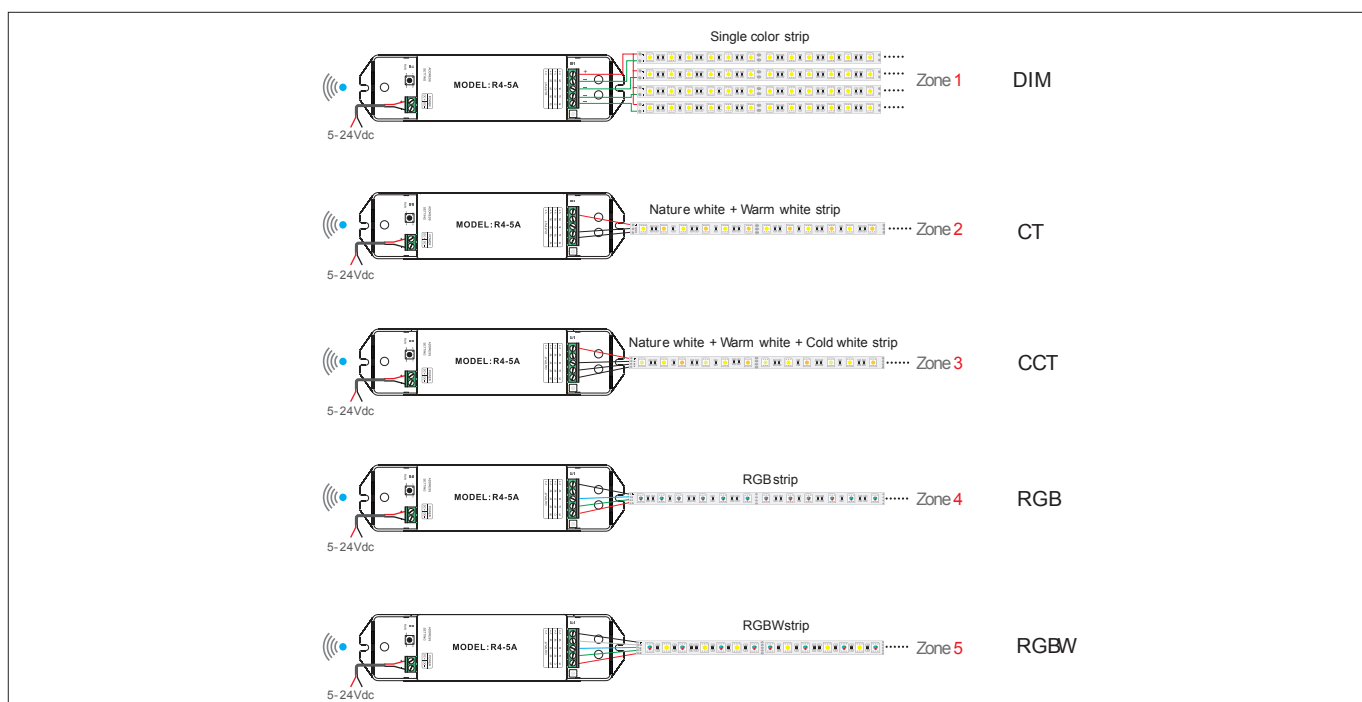
PRODUCT DATA

FOUR CHANNEL LED STRIP RECEIVER	
MATERIAL	PLASTIC
COLOUR/FINISH	WHITE
LED STRIP TYPE	SINGLE COLOUR, RGB + RGBW
NO. OF CHANNELS	4
INPUT VOLTAGE	24V DC
OUTPUT POWER	480W (4X 120W)
WIRELESS SIGNAL	2.4GHZ
DIMMING	YES
DIMMING RANGE	0-100%
PROTECTION	OVERLOAD & SHORT CIRCUIT
WORKING TEMP	-30°C - 55°C
WEIGHT	150G
IP RATING	IP20

PRODUCT ORDERING

LED STRIP CONTROLLER		
	HCP-76241	480W
DIMENSIONS		
		
		

SAMPLE WIRING DIAGRAM


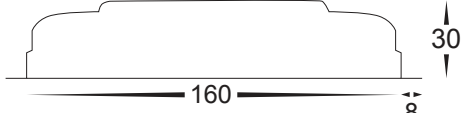
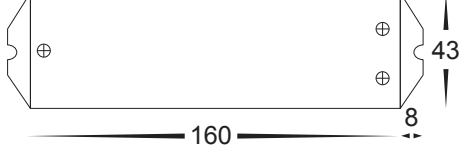




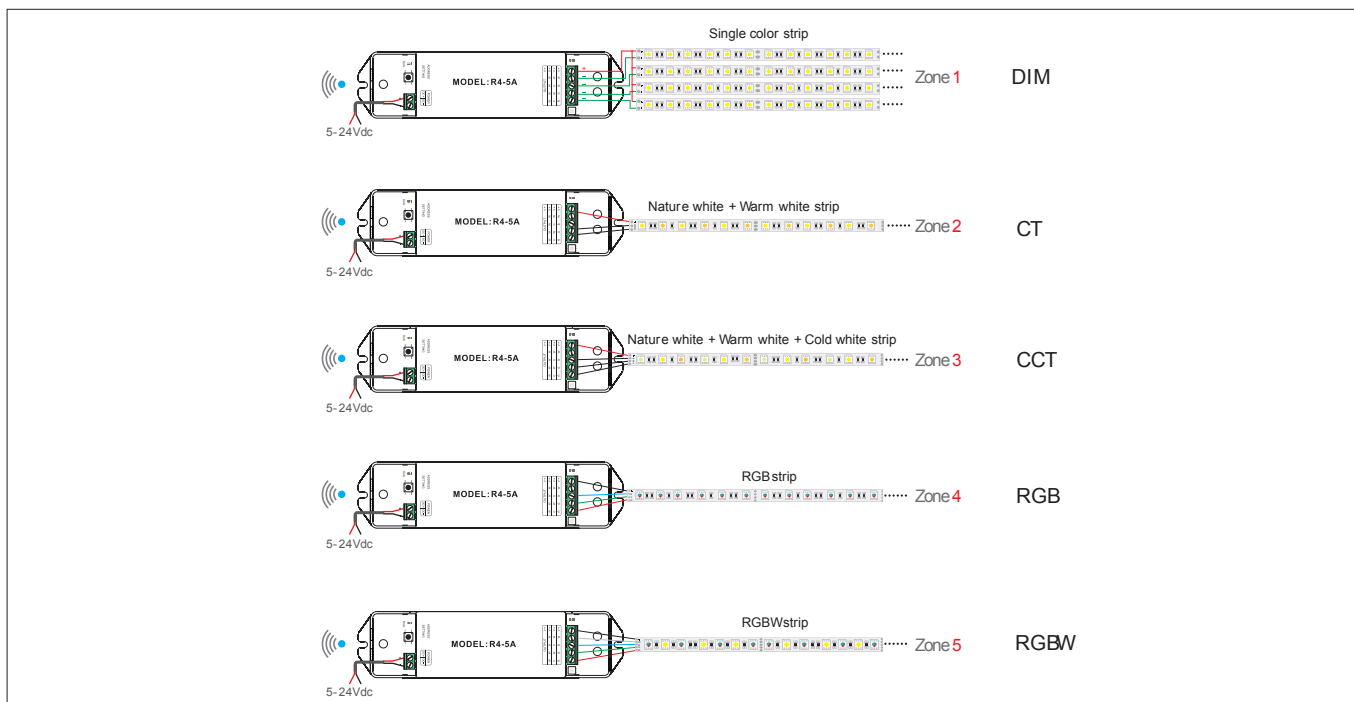
PRODUCT DATA

FOUR CHANNEL RECEIVER	
MATERIAL	PLASTIC
COLOUR/FINISH	WHITE
LED STRIP TYPE	ALL LED STRIP
NO. OF CHANNELS	4
INPUT VOLTAGE	24V DC
OUTPUT POWER	480W (4X 120W)
WIRELESS SIGNAL	2.4GHZ
DIMMING	YES
DIMMING RANGE	0-100%
PROTECTION	OVERLOAD & SHORT CIRCUIT
WORKING TEMP.	30° - 55°C
WEIGHT	150G
IP RATING	IP20

PRODUCT ORDERING

LED STRIP CONTROLLER		
	HCP-76242	480W
DIMENSIONS		
		
		

SAMPLE WIRING DIAGRAM





DALI RELAY MODULE



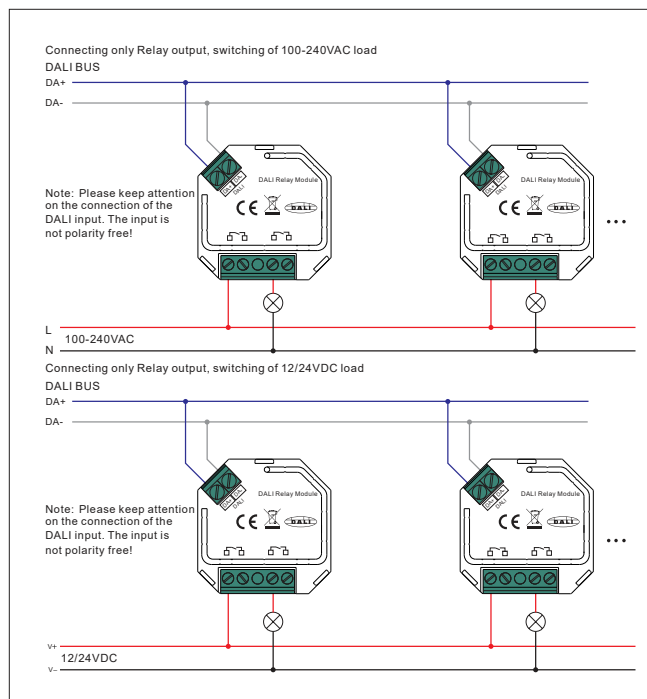
PRODUCT DATA

DALI RELAY MODULE	
MATERIAL	PLASTIC
COLOUR/FINISH	WHITE
NO. OF ADDRESSES	1
INPUT VOLTAGE	EITHER 12V/24V DC OR 240V
OUTPUT POWER	200W LED
DIMMING	DALI OR NON DIMMING
DIMMING RANGE	0-100% HCP-79274 ONLY
CONSUMPTION	<30MA
PROTECTION	OVERLOAD & SHORT CIRCUIT
WORKING TEMP.	30° - 55°C
IP RATING	IP20

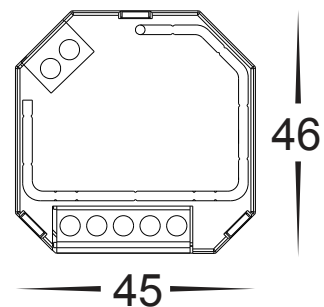
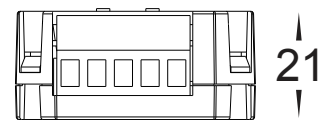
PRODUCT ORDERING

DALI RELAY MODULE		
	HCP-79273 ON AND OFF RELAY	200W
	HCP-79274 DIMMING RELAY	200W

SAMPLE WIRING DIAGRAM



DIMENSIONS





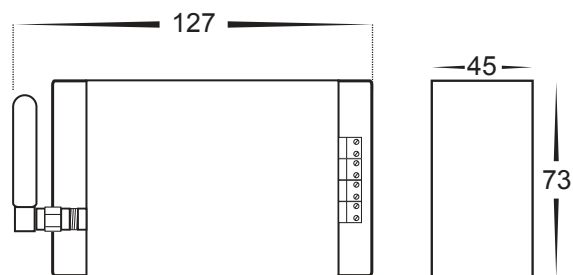
PRODUCT ORDERING

LED STRIP CONTROLLER	
	HCP-77242
COMPATIBLE RECEIVER	
	HCP-76242

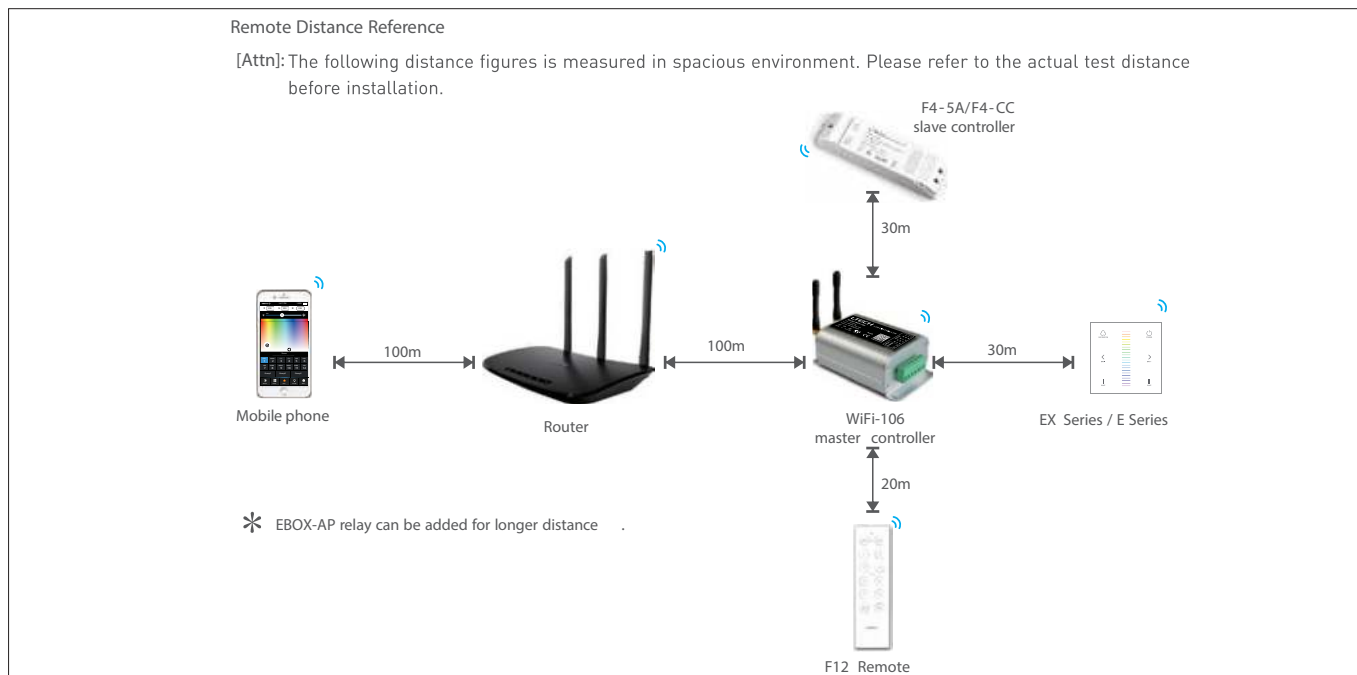
PRODUCT DATA

WIFI LED STRIP CONTROLLER	
MATERIAL	ALUMINIUM
COLOUR/FINISH	SILVER
LED STRIP TYPE	SINGLE COLOUR, RGB + RGBW
NO. OF ZONES	UP TO 12 USING HCP-76242
INPUT VOLTAGE	24V DC
OUTPUT POWER	384W (4X96W)
DIMMING	YES
PLATFORM	ANDROID 2.2 + IOS 5.1 OR ABOVE
PROTECTION	OVERLOAD & SHORT CIRCUIT
WORKING TEMP	-30°C - 55°C
WEIGHT	390G
IP RATING	IP20

DIMENSIONS





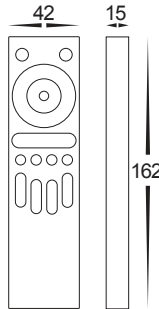
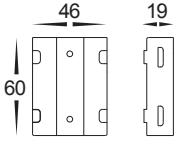
SAMPLE WIRING DIAGRAM



4 ZONE SINGLE COLOUR REMOTE CONTROLLER



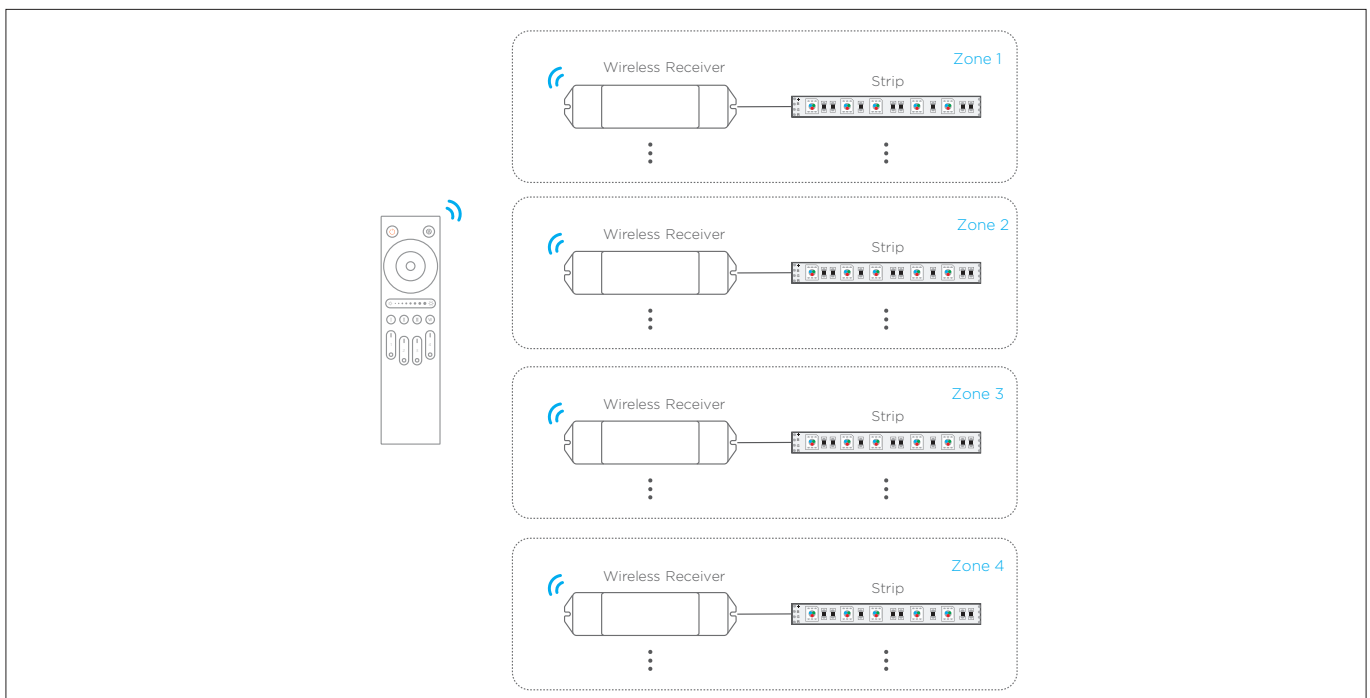
PRODUCT ORDERING

LED STRIP CONTROLLER	
	HCP-78211
COMPATIBLE RECEIVER	
	HCP-76242
DIMENSIONS	
	
Remote	Remote holder

PRODUCT DATA

SINGLE COLOUR 4 ZONE LED STRIP REMOTE	
MATERIAL	PLASTIC
COLOUR/FINISH	WHITE
LED STRIP TYPE	SINGLE COLOUR
NO. OF ZONES	4
WIRELESS FREQUENCY	2.4GHZ
INPUT VOLTAGE	3V (2X AAA)
DIMMING	YES
IP RATING	IP20
WORKING TEMP.	30° - 55°C
WEIGHT	100G



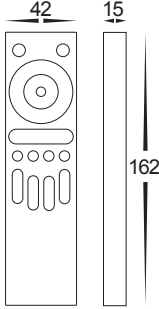
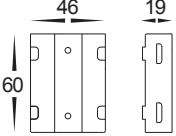
SAMPLE WIRING DIAGRAM



4 ZONE RGBW REMOTE CONTROLLER



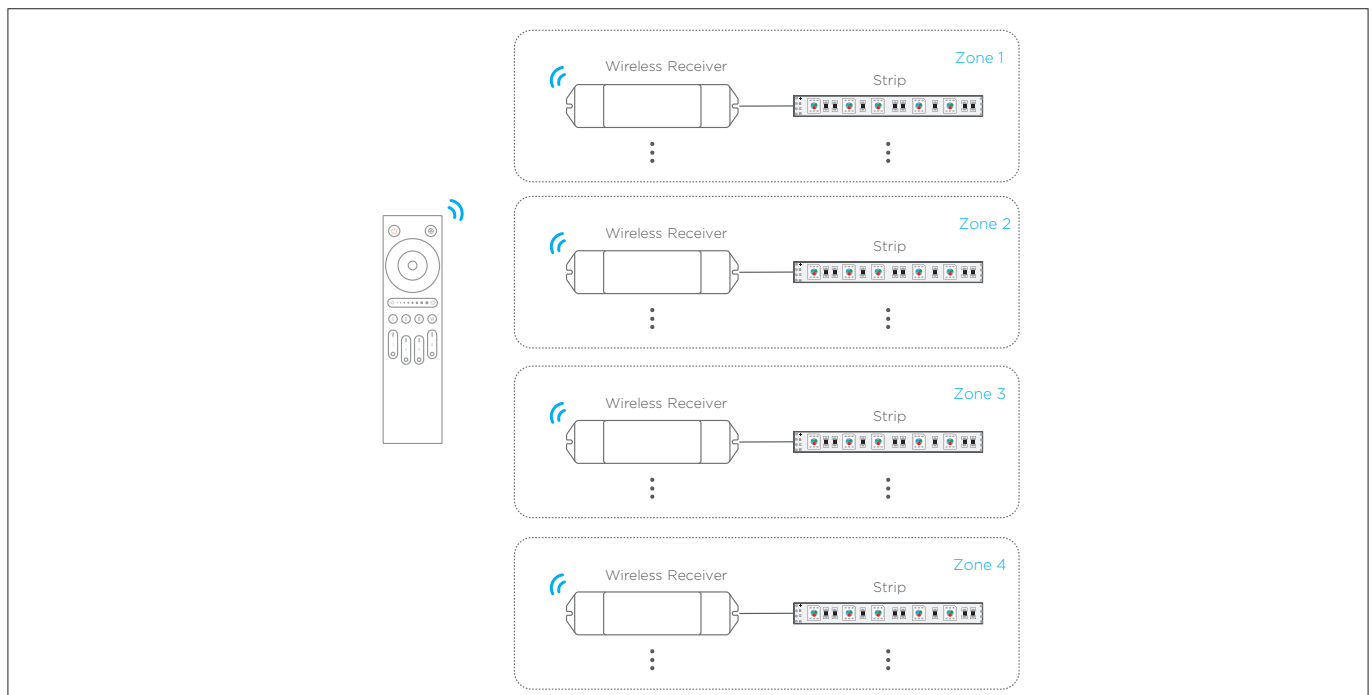
PRODUCT ORDERING

LED STRIP CONTROLLER	
	HCP-78241
COMPATIBLE RECEIVER	
	HCP-76242
DIMENSIONS	
	
Remote	Remote holder

PRODUCT DATA

RGBW 4 ZONE LED STRIP REMOTE	
MATERIAL	PLASTIC
COLOUR/FINISH	WHITE
LED STRIP TYPE	RGBW
NO. OF ZONES	4
WIRELESS FREQUENCY	2.4GHZ
INPUT VOLTAGE	3V (2X AAA)
DIMMING	YES
IP RATING	IP20
WORKING TEMP.	30° - 55°C
WEIGHT	100G

SAMPLE WIRING DIAGRAM






24W 600MM PROLINE LINEAR EXTENSION




PRODUCT DATA

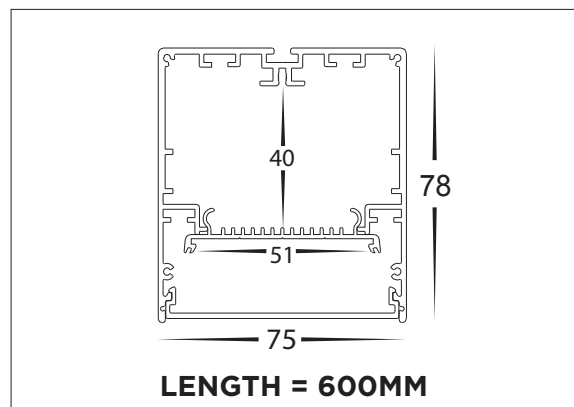
600MM EXTENSION	
MATERIAL	ALUMINIUM
COLOUR/FINISH	MATT BLACK
COLOUR TEMP.	3000K 4000K 5500K (TRI COLOUR)
LUMEN OUTPUT	2100LM 2200LM 2300LM
INPUT VOLTAGE	240V AC
BUILT-IN LED	24W
DIMMING	TRIAC, 0-1/10V, DALI
CRI	RA >80
BEAM ANGLE	120°
IP RATING	IP20

PRODUCT ORDERING

ALUMINIUM BLACK EXTENSION <i>(To be used to extend Pendant models)</i>				
	HCP-602242 (Triac + 0-1/10v Dimmable)	24W LED	3000K	2100LM
	HCP-602244 (DALI Dimmable)		4000K 5500K	2200LM 2300LM
JOINER				
	HCP-600000-JOINER	JOINER KIT TO ALLOW MULTIPLE LENGTHS TO BE JOINED TO FORM A CONTINUOUS RUN.		

Tri-Colour By Havit	
3000K	
4000K	
5500K	

OTHER DATA



24W 600MM PROLINE LINEAR EXTENSION





PRODUCT DATA

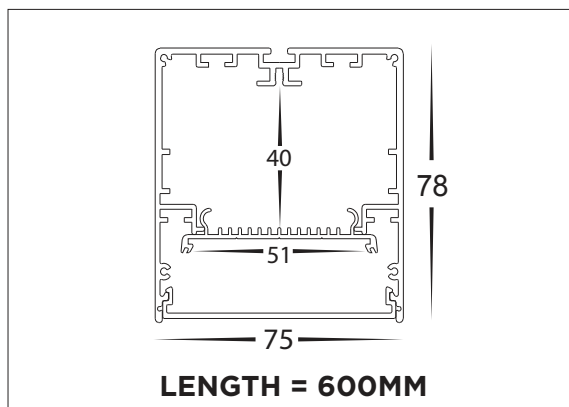
600MM EXTENSION	
MATERIAL	ALUMINIUM
COLOUR/FINISH	MATT WHITE
COLOUR TEMP.	3000K 4000K 5500K (TRI COLOUR)
LUMEN OUTPUT	2100LM 2200LM 2300LM
INPUT VOLTAGE	240V AC
BUILT-IN LED	24W
DIMMING	TRIAC, 0-1/10V, DALI
CRI	RA >80
BEAM ANGLE	120°
IP RATING	IP20

Tri-Colour By Havit	
3000K	
4000K	
5500K	Havit

PRODUCT ORDERING

ALUMINIUM WHITE EXTENSION <i>(To be used to extend Pendant models)</i>				
	HCP-603242 (Triac + 0-1/10v Dimmable)	24W LED	3000K	2100LM
	HCP-603244 (DALI Dimmable)		4000K	2200LM
			5500K	2300LM
JOINER				
	HCP-600000-JOINER	JOINER KIT TO ALLOW MULTIPLE LENGTHS TO BE JOINED TO FORM A CONTINUOUS RUN.		

OTHER DATA



48W 1200MM PROLINE LINEAR PENDANT & EXTENSION






Tri-Colour By Havit	
3000K	
4000K	
5500K	Havit

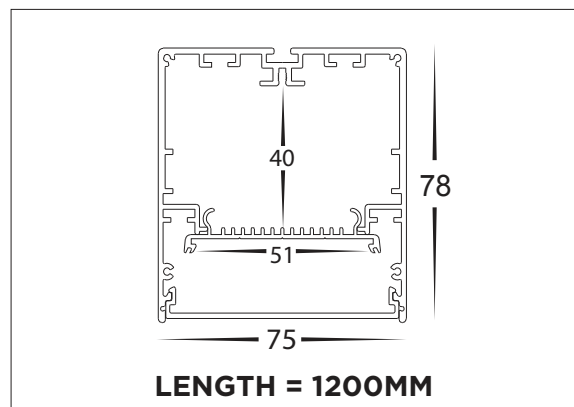
PRODUCT DATA

1200MM PENDANT OR EXTENSION	
MATERIAL	ALUMINIUM
COLOUR/FINISH	MATT BLACK
COLOUR TEMP.	3000K 4000K 5500K (TRI COLOUR)
LUMEN OUTPUT	4500LM 4600LM 4700LM
INPUT VOLTAGE	240V AC
BUILT-IN LED	48W
DIMMING	TRIAC, 0-1/10V, DALI
CRI	RA >80
BEAM ANGLE	120°
IP RATING	IP20

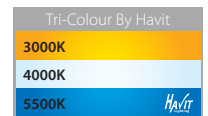
PRODUCT ORDERING

ALUMINIUM BLACK PENDANT				
	HCP-692482 (Triac + 0-1/10v Dimmable)	48W LED	3000K	4500LM
	HCP-692484 (DALI Dimmable)		4000K	4600LM
			5500K	4700LM
ALUMINIUM BLACK EXTENSION (To be used to extend Pendant models)				
	HCP-602482 (Triac + 0-1/10v Dimmable)	48W LED	3000K	4500LM
	HCP-602484 (DALI Dimmable)		4000K	4600LM
			5500K	4700LM
JOINER				
	HCP-600000-JOINER	JOINER KIT TO ALLOW MULTIPLE LENGTHS TO BE JOINED TO FORM A CONTINUOUS RUN.		

OTHER DATA






48W 1200MM PROLINE LINEAR PENDANT & EXTENSION



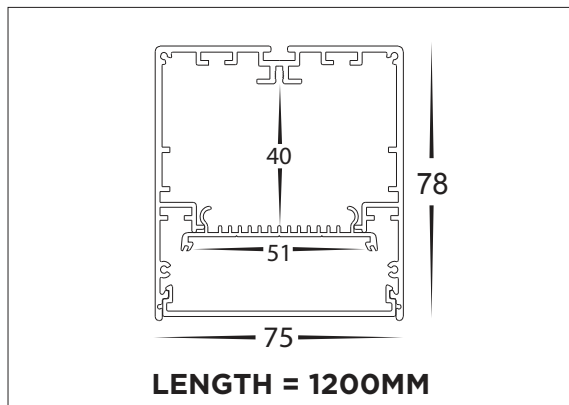
PRODUCT DATA

1200MM PENDANT OR EXTENSION	
MATERIAL	ALUMINIUM
COLOUR/FINISH	MATT WHITE
COLOUR TEMP.	3000K 4000K 5500K (TRI COLOUR)
LUMEN OUTPUT	4500LM 4600LM 4700LM
INPUT VOLTAGE	240V AC
BUILT-IN LED	48W
DIMMING	TRIAC, 0-1/10V, DALI
CRI	RA >80
BEAM ANGLE	120°
IP RATING	IP20

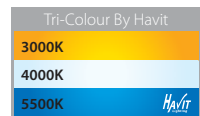
PRODUCT ORDERING

ALUMINIUM WHITE PENDANT				
	HCP-693482 (Triac + 0-1/10v Dimmable)	48W LED	3000K	4500LM
	HCP-693484 (DALI Dimmable)		4000K	4600LM
			5500K	4700LM
ALUMINIUM WHITE EXTENSION (To be used to extend Pendant models)				
	HCP-603482 (Triac + 0-1/10v Dimmable)	48W LED	3000K	4500LM
	HCP-603484 (DALI Dimmable)		4000K	4600LM
			5500K	4700LM
JOINER				
	HCP-600000-JOINER	JOINER KIT TO ALLOW MULTIPLE LENGTHS TO BE JOINED TO FORM A CONTINUOUS RUN.		

OTHER DATA






72W 1800MM PROLINE LINEAR PENDANT & EXTENSION



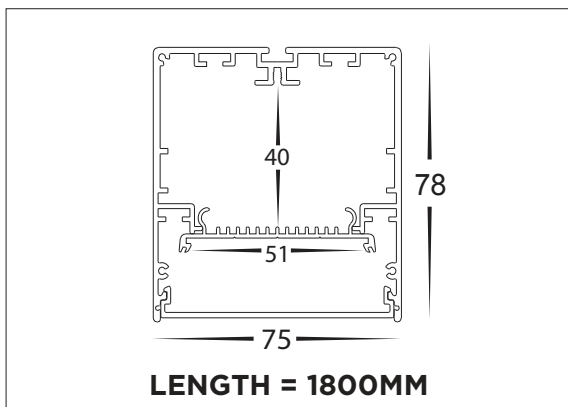
PRODUCT DATA

1800MM PENDANT OR EXTENSION	
MATERIAL	ALUMINIUM
COLOUR/FINISH	MATT BLACK
COLOUR TEMP.	3000K 4000K 5500K (TRI COLOUR)
LUMEN OUTPUT	6700LM 6800LM 7000LM
INPUT VOLTAGE	240V AC
BUILT-IN LED	72W
DIMMING	TRIAC, 0-1/10V, DALI
CRI	RA >80
BEAM ANGLE	120°
IP RATING	IP20

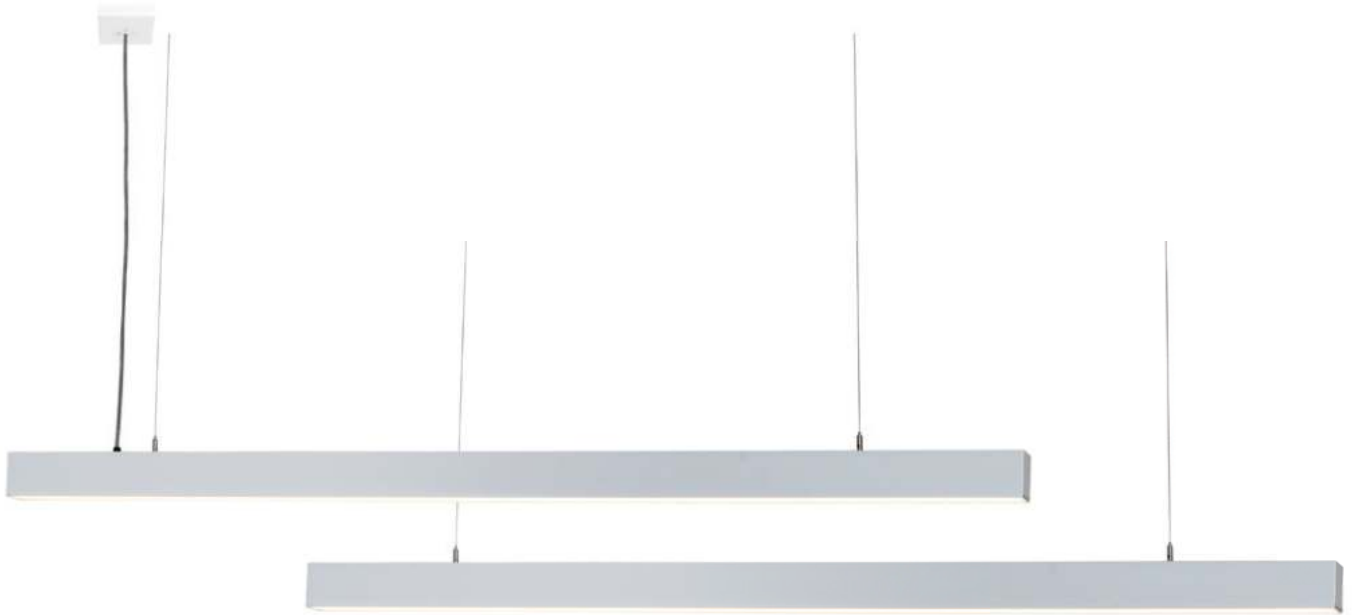
PRODUCT ORDERING

ALUMINIUM BLACK PENDANT				
	HCP-692722 (Triac + 0-1/10v Dimmable)	72W LED	3000K 4000K 5500K	6700LM 6800LM 7000LM
	HCP-692724 (DALI Dimmable)			
ALUMINIUM BLACK EXTENSION (To be used to extend Pendant models)				
	HCP-602722 (Triac + 0-1/10v Dimmable)	72W LED	3000K 4000K 5500K	6700LM 6800LM 7000LM
	HCP-602724 (DALI Dimmable)			
JOINER				
	HCP-600000-JOINER	JOINER KIT TO ALLOW MULTIPLE LENGTHS TO BE JOINED TO FORM A CONTINUOUS RUN.		

OTHER DATA



72W 1800MM PROLINE LINEAR PENDANT & EXTENSION



17

PROLINE
PENDANTS

Tri-Colour By Havit	
3000K	
4000K	
5500K	

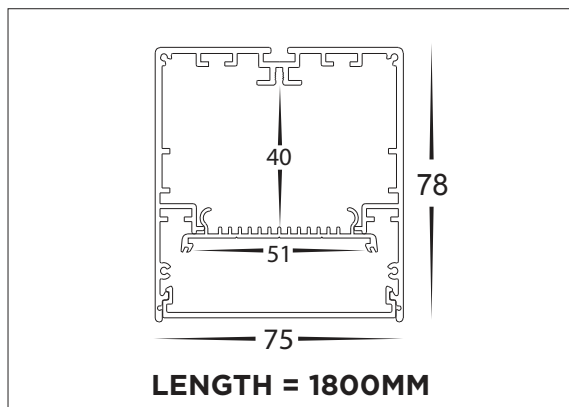
PRODUCT DATA

1800MM PENDANT OR EXTENSION	
MATERIAL	ALUMINIUM
COLOUR/FINISH	MATT WHITE
COLOUR TEMP.	3000K 4000K 5500K (TRI COLOUR)
LUMEN OUTPUT	6700LM 6800LM 7000LM
INPUT VOLTAGE	240V AC
BUILT-IN LED	72W
DIMMING	TRIAC, 0-1/10V, DALI
CRI	RA >80
BEAM ANGLE	120°
IP RATING	IP20

PRODUCT ORDERING

ALUMINIUM WHITE PENDANT				
	HCP-693722 (Triac + 0-1/10v Dimmable)	72W LED	3000K	6700LM
	HCP-693724 (DALI Dimmable)		4000K	6800LM
			5500K	7000LM
ALUMINIUM WHITE EXTENSION (To be used to extend Pendant models)				
	HCP-603722 (Triac + 0-1/10v Dimmable)	72W LED	3000K	6700LM
	HCP-603724 (DALI Dimmable)		4000K	6800LM
			5500K	7000LM
JOINER				
	HCP-600000-JOINER	JOINER KIT TO ALLOW MULTIPLE LENGTHS TO BE JOINED TO FORM A CONTINUOUS RUN.		

OTHER DATA



96W 2400MM PROLINE LINEAR PENDANT & EXTENSION



Tri-Colour By Havit	
3000K	
4000K	
5500K	

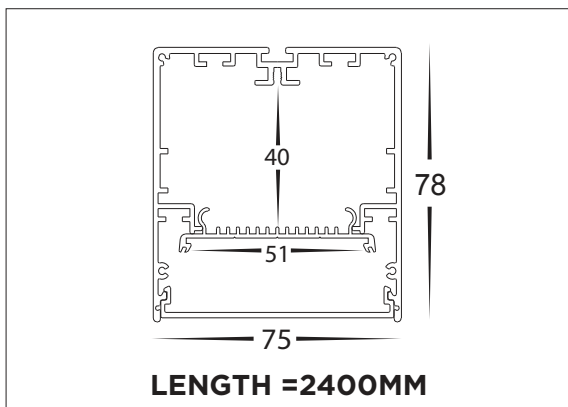
PRODUCT DATA

2400MM PENDANT OR EXTENSION	
MATERIAL	ALUMINIUM
COLOUR/FINISH	MATT BLACK
COLOUR TEMP.	3000K 4000K 5500K (TRI COLOUR)
LUMEN OUTPUT	9000LM 9200LM 9500LM
INPUT VOLTAGE	240V AC
BUILT-IN LED	96W
DIMMING	TRIAC, 0-1/10V, DALI
CRI	RA >80
BEAM ANGLE	120°
IP RATING	IP20

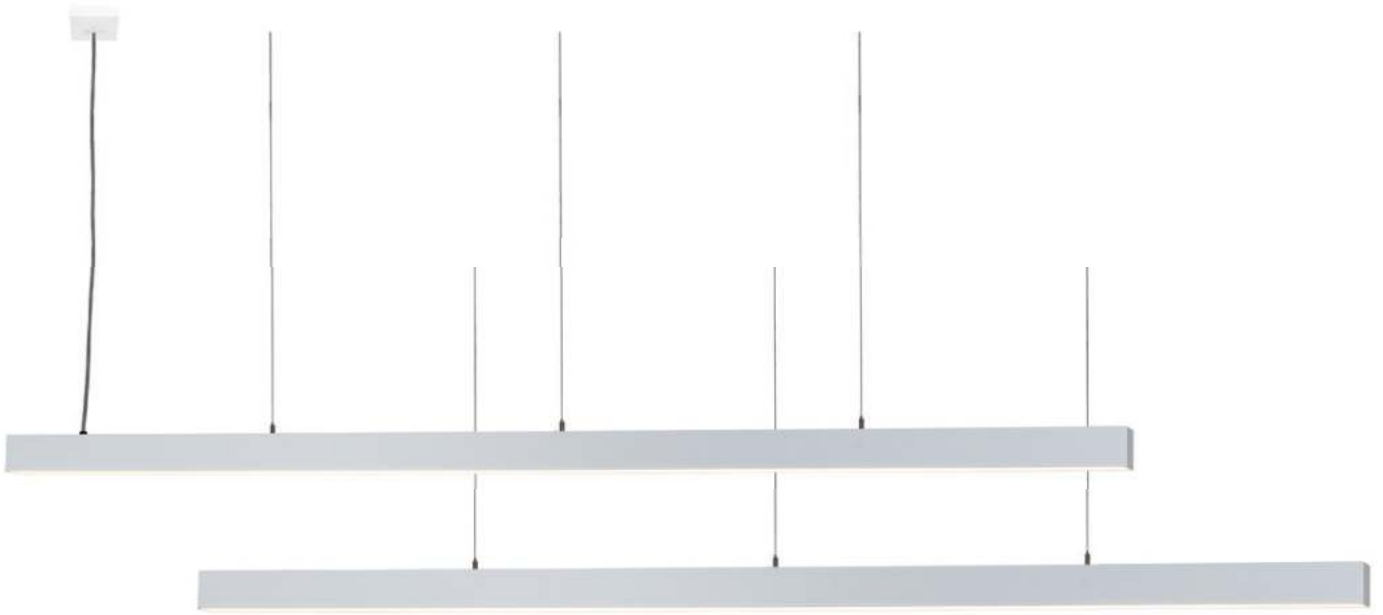
PRODUCT ORDERING

ALUMINIUM BLACK PENDANT				
	HCP-692962 (Triac + 0-1/10v Dimmable)	96W LED	3000K 4000K 5500K	9000LM 9200LM 9500LM
	HCP-692963 (0-1/10V Dimmable)			
ALUMINIUM BLACK EXTENSION (To be used to extend Pendant models)				
	HCP-602962 (Triac + 0-1/10v Dimmable)	96W LED	3000K 4000K 5500K	9000LM 9200LM 9500LM
	HCP-602964 (DALI Dimmable)			
JOINER				
	HCP-600000-JOINER	JOINER KIT TO ALLOW MULTIPLE LENGTHS TO BE JOINED TO FORM A CONTINUOUS RUN.		

OTHER DATA



96W 2400MM PROLINE LINEAR PENDANT & EXTENSION



17

PROLINE
PENDANTS

Tri-Colour By Havit	
3000K	
4000K	
5500K	

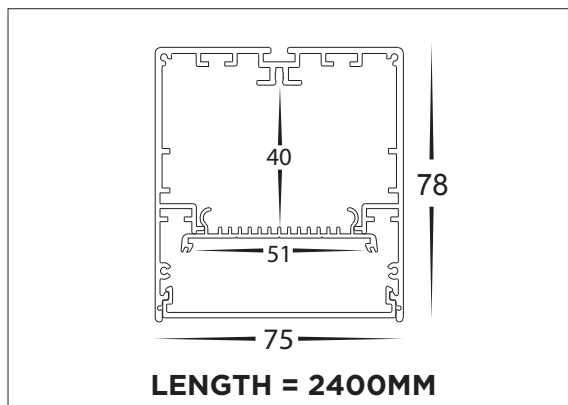
PRODUCT DATA

2400MM PENDANT OR EXTENSION	
MATERIAL	ALUMINIUM
COLOUR/FINISH	MATT WHITE
COLOUR TEMP.	3000K 4000K 5500K (TRI COLOUR)
LUMEN OUTPUT	9000LM 9200LM 9500LM
INPUT VOLTAGE	240V AC
BUILT-IN LED	96W
DIMMING	TRIAC, 0-1/10V, DALI
CRI	RA >80
BEAM ANGLE	120°
IP RATING	IP20

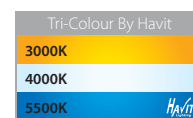
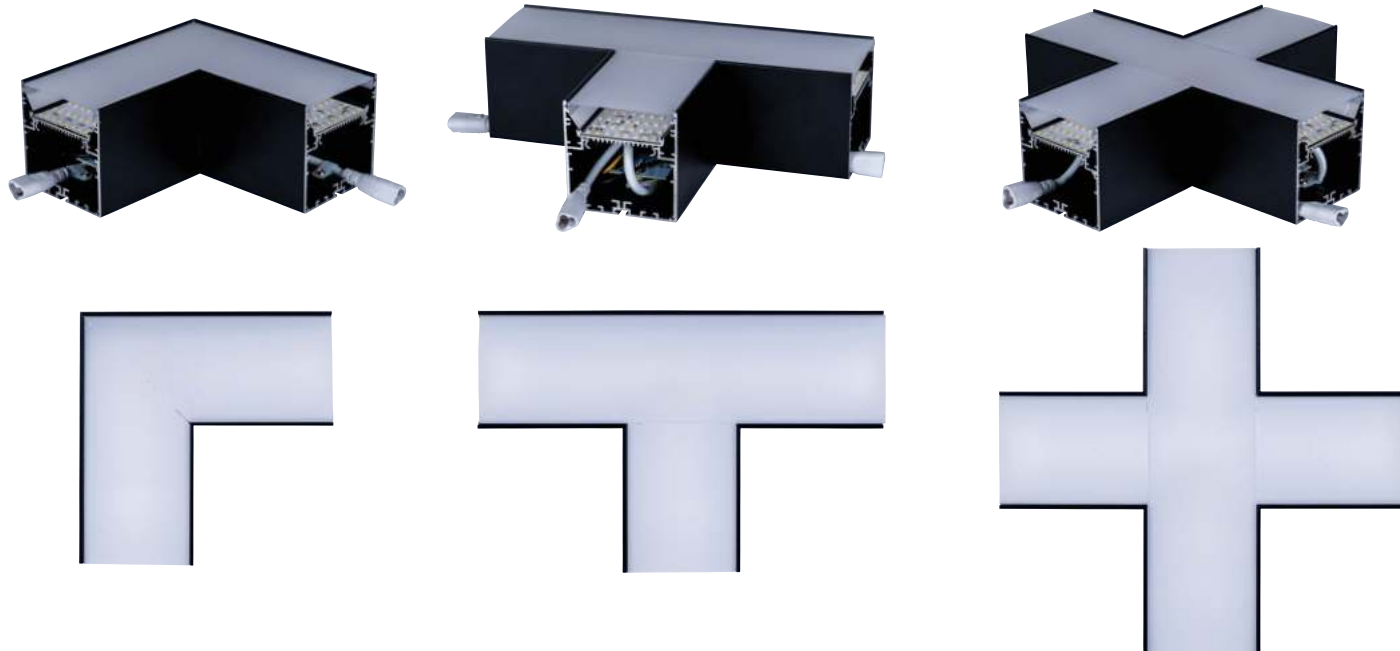
PRODUCT ORDERING

ALUMINIUM WHITE PENDANT				
	HCP-693962 (Triac + 0-1/10v Dimmable)	96W LED	3000K 4000K 5500K	9000LM 9200LM 9500LM
	HCP-693963 (0-1/10V Dimmable)			
ALUMINIUM WHITE EXTENSION (To be used to extend Pendant models)				
	HCP-603962 (Triac + 0-1/10v Dimmable)	96W LED	3000K 4000K 5500K	9000LM 9200LM 9500LM
	HCP-603964 (DALI Dimmable)			
JOINER				
	HCP-600000-JOINER	JOINER KIT TO ALLOW MULTIPLE LENGTHS TO BE JOINED TO FORM A CONTINUOUS RUN.		

OTHER DATA






PROLINE PENDANT CONNECTOR



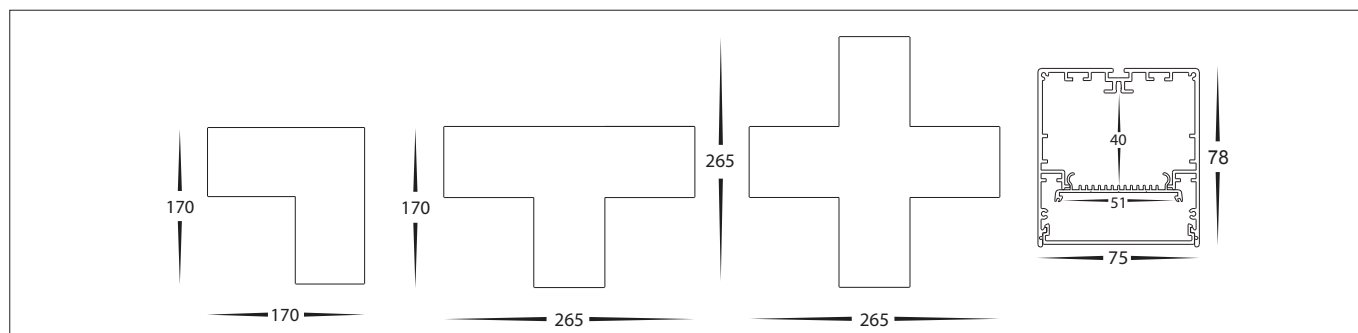
PRODUCT DATA

L + T + X SHAPE CONNECTORS	
MATERIAL	ALUMINIUM
COLOUR/FINISH	MATT BLACK
COLOUR TEMP.	3000K 4000K 5500K (TRI COLOUR)
LUMEN OUTPUT	L SHAPE = 1080LM 1120LM 1200LM T SHAPE = 1300LM 1400LM 1500LM X SHAPE = 1800LM 1900LM 2000LM
INPUT VOLTAGE	240V AC
BUILT-IN LED	L SHAPE = 12W T SHAPE = 15W X SHAPE = 20W
DIMMING	TRIAC, 0-1/10V, DALI
CRI	RA > 80
BEAM ANGLE	120°
IP RATING	IP20

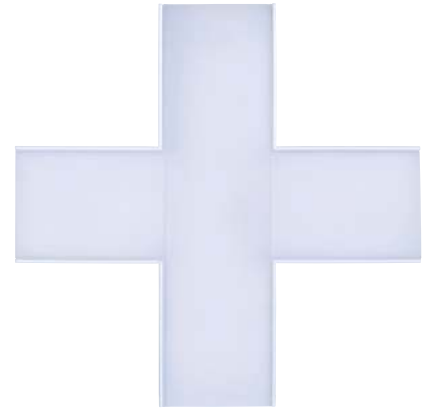
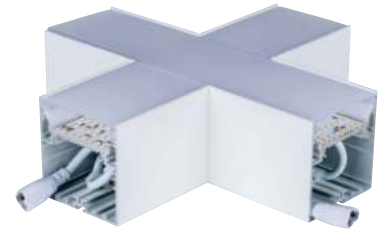
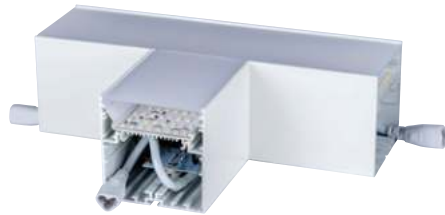
PRODUCT ORDERING

L-SHAPE				
	HCP-602002-L (Triac + 0-1/10v Dimmable)	12W LED	3000K 4000K 5500K	1080LM 1120LM 1200LM
	HCP-602004-L (DALI Dimmable)			
T-SHAPE				
	HCP-602002-T (Triac + 0-1/10v Dimmable)	15W LED	3000K 4000K 5500K	1300LM 1400LM 1500LM
	HCP-602004-T (DALI Dimmable)			
X-SHAPE				
	HCP-602002-X (Triac + 0-1/10v Dimmable)	20W LED	3000K 4000K 5500K	1800LM 1900LM 2000LM
	HCP-602004-X (DALI Dimmable)			

OTHER DATA



PROLINE PENDANT CONNECTOR



17




PROLINE
PENDANTS

Tri-Colour By Havit	
3000K	Havit
4000K	
5500K	

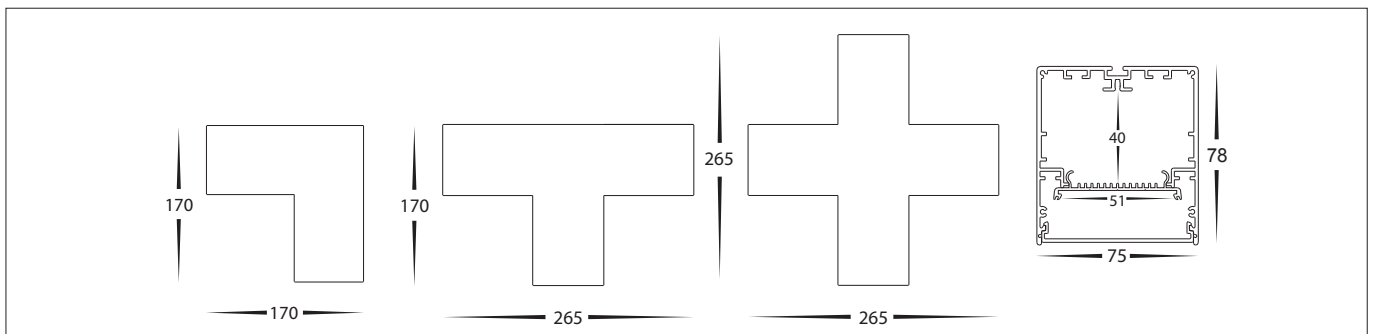
PRODUCT ORDERING

PRODUCT DATA

L + T + X SHAPE CONNECTORS	
MATERIAL	ALUMINIUM
COLOUR/FINISH	MATT WHITE
COLOUR TEMP.	3000K 4000K 5500K (TRI COLOUR)
LUMEN OUTPUT	L SHAPE = 1080LM 1120LM 1200LM T SHAPE = 1300LM 1400LM 1500LM X SHAPE = 1800LM 1900LM 2000LM
INPUT VOLTAGE	240V AC
BUILT-IN LED	L SHAPE = 12W T SHAPE = 15W X SHAPE = 20W
DIMMING	TRIAC, 0-1/10V, DALI
CRI	RA > 80
BEAM ANGLE	120°
IP RATING	IP20

L-SHAPE				
	HCP-603002-L (Triac + 0-1/10v Dimmable)	12W LED	3000K 4000K 5500K	1080LM 1120LM 1200LM
	HCP-603004-L (DALI Dimmable)			
T-SHAPE				
	HCP-603002-T (Triac + 0-1/10v Dimmable)	15W LED	3000K 4000K 5500K	1300LM 1400LM 1500LM
	HCP-603004-T (DALI Dimmable)			
X-SHAPE				
	HCP-603002-X (Triac + 0-1/10v Dimmable)	20W LED	3000K 4000K 5500K	1800LM 1900LM 2000LM
	HCP-603004-X (DALI Dimmable)			

OTHER DATA



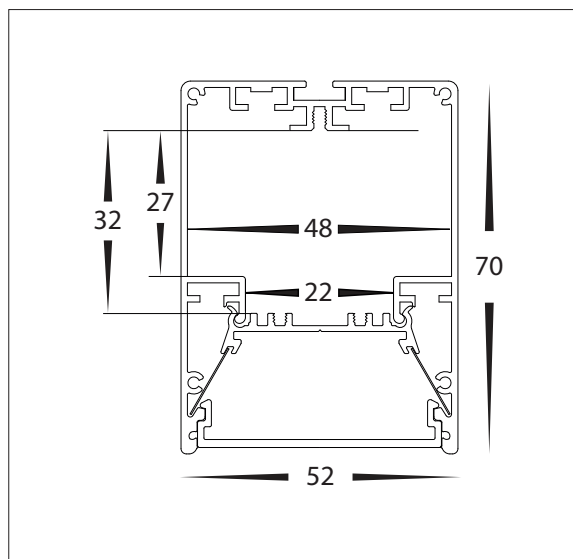
CUSTOM LENGTH PENDANT OR EXTENSIONS









PRODUCT DATA

PENDANT OR EXTENSIONS	
MATERIAL	ALUMINIUM
COLOUR/FINISH	MATT BLACK
COLOUR TEMP.	3000K 4000K 5000K
LUMEN OUTPUT	2300LM 2400LM 2500LM
INPUT VOLTAGE	240V AC
BUILT-IN LED	30W PER METRE
DIMMING	TRIAC, 0-1/10V, DALI
CRI	RA > 90
BEAM ANGLE	120°
IP RATING	IP20

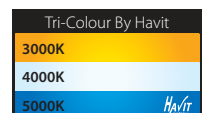
OTHER DATA



PRODUCT ORDERING

PENDANTS (SUPPLIED WITH 2X SUSPENSION KITS PER METRE)				
	HCP-69252702 (TRIAC + 0-1/10V DIMMABLE)	30W LED PER METRE	3000K 4000K 5000K	2300LM 2400LM 2500LM
	HCP-69252704 (DALI DIMMABLE)	30W LED PER METRE	3000K 4000K 5000K	2300LM 2400LM 2500LM
EXTENSIONS				
	HCP-60252702 (TRIAC + 0-1/10V DIMMABLE)	30W LED PER METRE	3000K 4000K 5000K	2300LM 2400LM 2500LM
	HCP-60252704 (DALI DIMMABLE)	30W LED PER METRE	3000K 4000K 5000K	2300LM 2400LM 2500LM
OPTIONAL ACCESSORIES				
	HCP-4805270-JOINER	STRAIGHT JOINER		
	HCP-4506070-SM	SURFACE MOUNT CLIP		
	HCP-4685270-LD: Long run diffuser available	 HCP-4685270-BLK: Black diffuser available		

CUSTOM LENGTHS AVAILABLE UP TO 3000MM
CONTACT SALES@HAVITCOMMERCIAL.COM.AU
FOR MORE INFORMATION



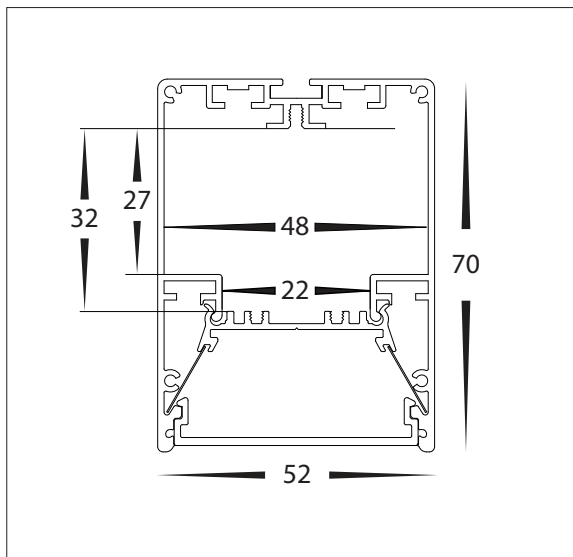
CUSTOM LENGTH PENDANT OR EXTENSIONS



PRODUCT DATA

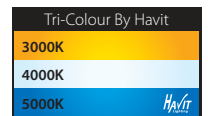
PENDANT OR EXTENSIONS	
MATERIAL	ALUMINIUM
COLOUR/FINISH	MATT WHITE
COLOUR TEMP.	3000K 4000K 5000K
LUMEN OUTPUT	2300LM 2400LM 2500LM
INPUT VOLTAGE	240V AC
BUILT-IN LED	30W PER METRE
DIMMING	TRIAC, 0-1/10V, DALI
CRI	RA > 90
BEAM ANGLE	120°
IP RATING	IP20

OTHER DATA



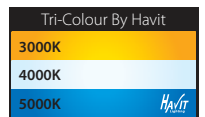
PRODUCT ORDERING

PENDANTS (SUPPLIED WITH 2X SUSPENSION KITS PER METRE)				
	HCP-69352702 (TRIAC + 0-1/10V DIMMABLE)	30W LED PER METRE	3000K 4000K 5000K	2300LM 2400LM 2500LM
	HCP-69352704 (DALI DIMMABLE)	30W LED PER METRE	3000K 4000K 5000K	2300LM 2400LM 2500LM
EXTENSIONS				
	HCP-60352702 (TRIAC + 0-1/10V DIMMABLE)	30W LED PER METRE	3000K 4000K 5000K	2300LM 2400LM 2500LM
	HCP-60352704 (DALI DIMMABLE)	30W LED PER METRE	3000K 4000K 5000K	2300LM 2400LM 2500LM
OPTIONAL ACCESSORIES				
	HCP-4805270-JOINER	STRAIGHT JOINER		
	HCP-4506070-SM	SURFACE MOUNT CLIP		



CUSTOM LENGTHS AVAILABLE UP TO 3000MM
CONTACT SALES@HAVITCOMMERCIAL.COM.AU
FOR MORE INFORMATION




L + T + X SHAPE CONNECTORS



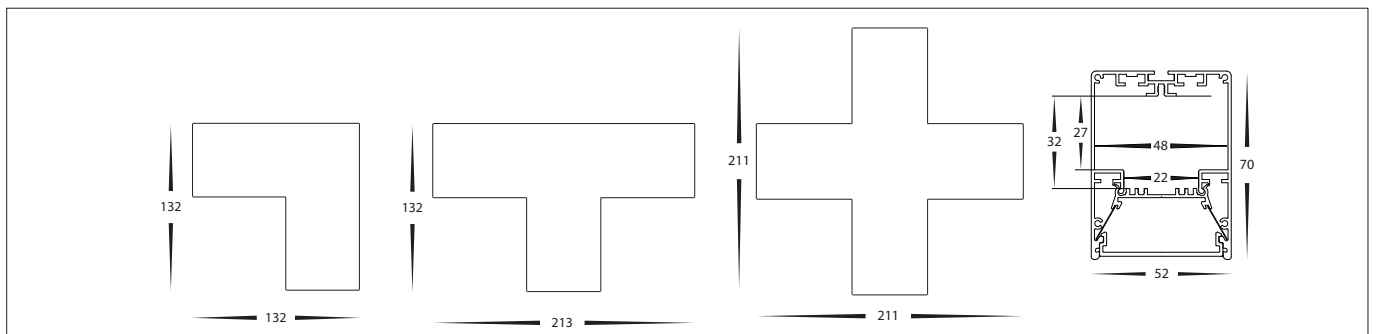
PRODUCT DATA

L + T + X SHAPE CONNECTORS	
MATERIAL	ALUMINIUM
COLOUR/FINISH	MATT BLACK
COLOUR TEMP.	3000K 4000K 5000K
LUMEN OUTPUT	L SHAPE = 600LM 610LM 620LM T SHAPE = 750LM 760LM 770LM X SHAPE = 940LM 950LM 960LM
INPUT VOLTAGE	24V DC
BUILT-IN LED	L SHAPE = 7W T SHAPE = 9W X SHAPE = 11W
DIMMING	TRIAC, 0-1/10V, DALI
CRI	RA > 90
BEAM ANGLE	120°
IP RATING	IP20

PRODUCT ORDERING

L-SHAPE				
	HCP-6025270-L	7W LED	3000K 4000K 5000K	600LM 610LM 620LM
T-SHAPE				
	HCP-6025270-T	9W LED	3000K 4000K 5000K	750LM 760LM 770LM
X-SHAPE				
	HCP-6025270-X	11W LED	3000K 4000K 5000K	940LM 950LM 960LM

OTHER DATA

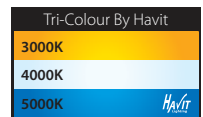


L + T + X SHAPE CONNECTORS



17




PROLINE
PENDANTS



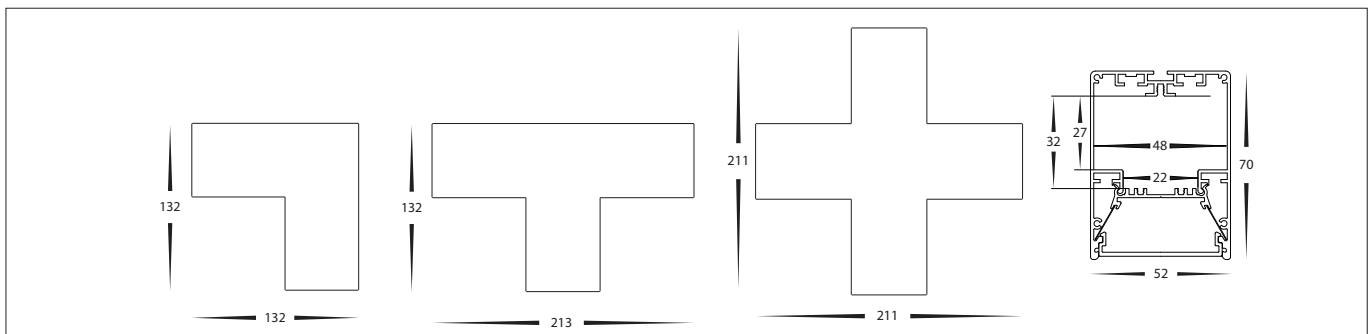
PRODUCT DATA

L + T + X SHAPE CONNECTORS	
MATERIAL	ALUMINIUM
COLOUR/FINISH	MATT WHITE
COLOUR TEMP.	3000K 4000K 5000K
LUMEN OUTPUT	L SHAPE = 600LM 610LM 620LM T SHAPE = 750LM 760LM 770LM X SHAPE = 940LM 950LM 960LM
INPUT VOLTAGE	24V DC
BUILT-IN LED	L SHAPE = 7W T SHAPE = 9W X SHAPE = 11W
DIMMING	TRIAC, 0-1/10V, DALI
CRI	RA > 90
BEAM ANGLE	120°
IP RATING	IP20

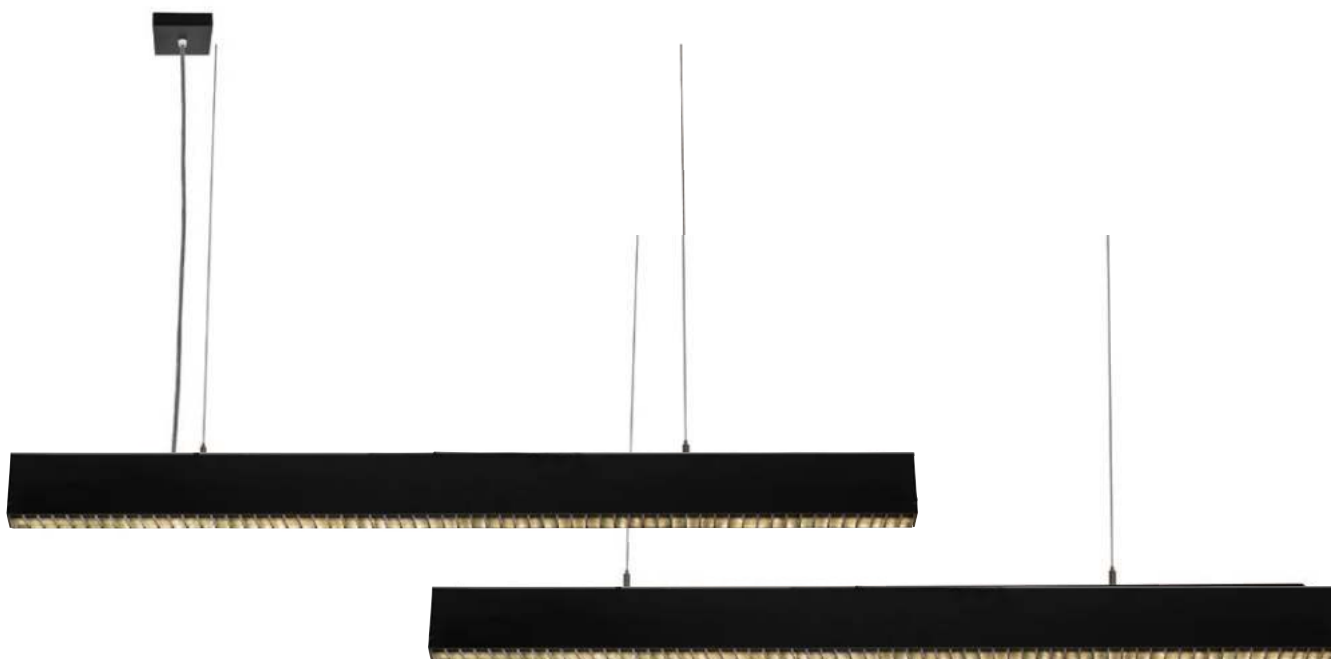
PRODUCT ORDERING

L-SHAPE				
	HCP-6035270-L	7W LED	3000K 4000K 5000K	600LM 610LM 620LM
T-SHAPE				
	HCP-6035270-T	9W LED	3000K 4000K 5000K	750LM 760LM 770LM
X-SHAPE				
	HCP-6035270-X	11W LED	3000K 4000K 5000K	940LM 950LM 960LM

OTHER DATA



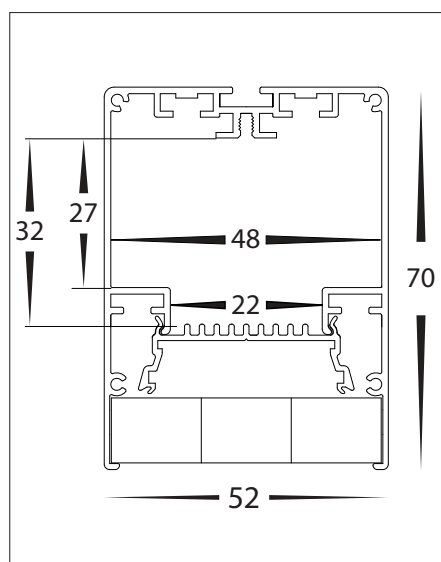
CUSTOM LENGTH PENDANT OR EXTENSIONS







PRODUCT DATA

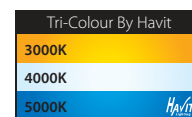
PENDANT OR EXTENSIONS	
MATERIAL	ALUMINIUM
COLOUR/FINISH	MATT BLACK
COLOUR TEMP.	3000K 4000K 5000K
LUMEN OUTPUT	2300LM 2400LM 2500LM
INPUT VOLTAGE	240V AC
BUILT-IN LED	30W PER METRE
DIMMING	TRIAC, 0-1/10V, DALI
CRI	RA > 90
BEAM ANGLE	120°
IP RATING	IP20

OTHER DATA



PRODUCT ORDERING

PENDANTS (SUPPLIED WITH 2X SUSPENSION KITS PER METRE)				
	HCP-69252712 (TRIAC + 0-1/10V DIMMABLE)	30W LED PER METRE	3000K 4000K 5000K	2300LM 2400LM 2500LM
	HCP-69252714 (DALI DIMMABLE)	30W LED PER METRE	3000K 4000K 5000K	2300LM 2400LM 2500LM
EXTENSIONS				
	HCP-60252712 (TRIAC + 0-1/10V DIMMABLE)	30W LED PER METRE	3000K 4000K 5000K	2300LM 2400LM 2500LM
	HCP-60252714 (DALI DIMMABLE)	30W LED PER METRE	3000K 4000K 5000K	2300LM 2400LM 2500LM
JOINERS + LONG DIFFUSERS				
	HCP-4805270-JOINER	STRAIGHT JOINER		
	HCP-4506070-SM	SURFACE MOUNT CLIP		



CUSTOM LENGTHS AVAILABLE UP TO 3000MM
CONTACT SALES@HAVITCOMMERCIAL.COM.AU
FOR MORE INFORMATION

CUSTOM LENGTH PENDANT OR EXTENSIONS



17

PROLINE
PENDANTS

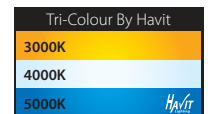
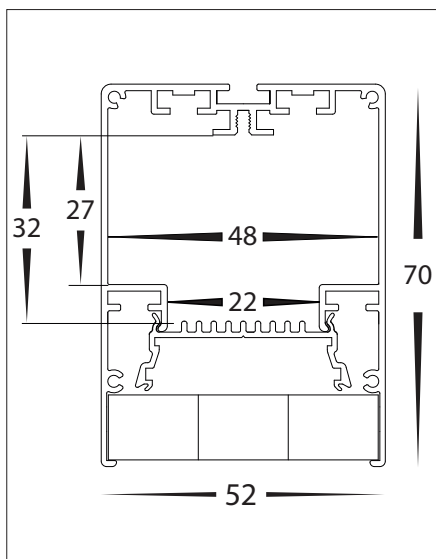
PRODUCT DATA

PENDANT OR EXTENSIONS	
MATERIAL	ALUMINIUM
COLOUR/FINISH	MATT WHITE
COLOUR TEMP.	3000K 4000K 5000K
LUMEN OUTPUT	2300LM 2400LM 2500LM
INPUT VOLTAGE	240V AC
BUILT-IN LED	30W PER METRE
DIMMING	TRIAC, 0-1/10V, DALI
CRI	RA > 90
BEAM ANGLE	120°
IP RATING	IP20

PRODUCT ORDERING

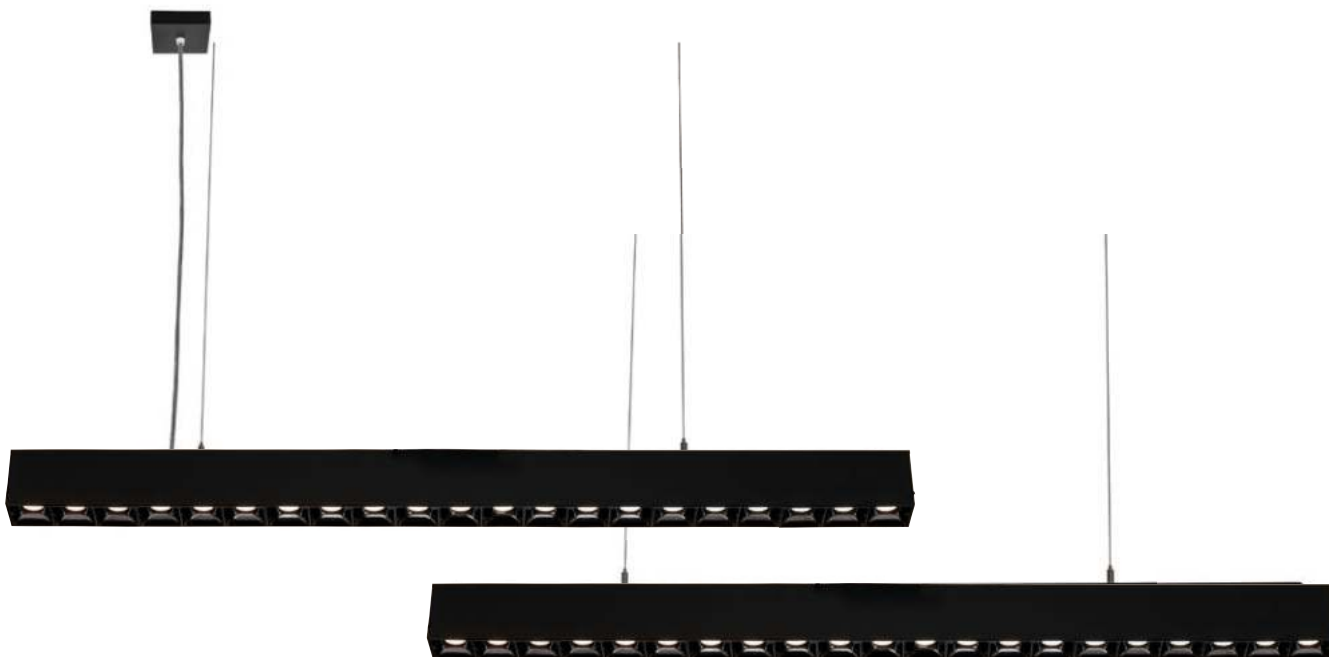
PENDANTS (SUPPLIED WITH 2X SUSPENSION KITS PER METRE)				
	HCP-69352712 (TRIAC + 0-1/10V DIMMABLE)	30W LED PER METRE	3000K 4000K 5000K	2300LM 2400LM 2500LM
	HCP-69352714 (DALI DIMMABLE)	30W LED PER METRE	3000K 4000K 5000K	2300LM 2400LM 2500LM
EXTENSIONS				
	HCP-60352712 (TRIAC + 0-1/10V DIMMABLE)	30W LED PER METRE	3000K 4000K 5000K	2300LM 2400LM 2500LM
	HCP-60352714 (DALI DIMMABLE)	30W LED PER METRE	3000K 4000K 5000K	2300LM 2400LM 2500LM
JOINERS + LONG DIFFUSERS				
	HCP-4805270-JOINER	STRAIGHT JOINER		
	HCP-4506070-SM	SURFACE MOUNT CLIP		

OTHER DATA



CUSTOM LENGTHS AVAILABLE UP TO 3000MM
CONTACT SALES@HAVITCOMMERCIAL.COM.AU
FOR MORE INFORMATION

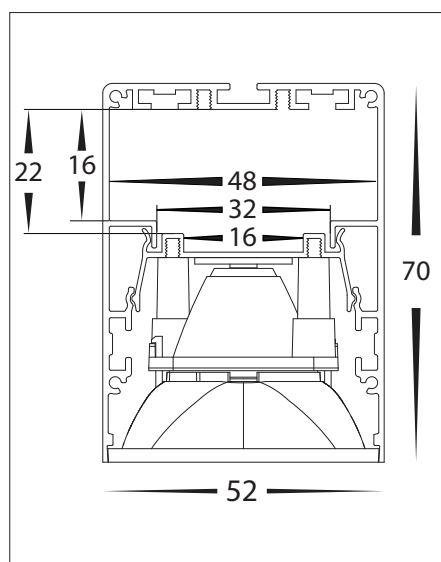
CUSTOM LENGTH PENDANT OR EXTENSIONS



PRODUCT DATA

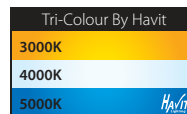
PENDANT OR EXTENSIONS	
MATERIAL	ALUMINIUM
COLOUR/FINISH	MATT BLACK
COLOUR TEMP.	3000K 4000K 5000K
LUMEN OUTPUT	900LM 920LM 930LM
INPUT VOLTAGE	240V AC
BUILT-IN LED	10W PER METRE
DIMMING	TRIAC, 0-1/10V, DALI
CRI	RA > 90
BEAM ANGLE	120°
IP RATING	IP20

OTHER DATA



PRODUCT ORDERING

PENDANTS (SUPPLIED WITH 2X SUSPENSION KITS PER METRE)				
	HCP-69252722 (TRIAC + 0-1/10V DIMMABLE)	10W LED PER METRE	3000K 4000K 5000K	900LM 920LM 930LM
	HCP-69252724 (DALI DIMMABLE)	10W LED PER METRE	3000K 4000K 5000K	900LM 920LM 930LM
EXTENSIONS				
	HCP-60252722 (TRIAC + 0-1/10V DIMMABLE)	10W LED PER METRE	3000K 4000K 5000K	900LM 920LM 930LM
	HCP-60252724 (DALI DIMMABLE)	10W LED PER METRE	3000K 4000K 5000K	900LM 920LM 930LM
JOINERS				
	HCP-4805270-JOINER	STRAIGHT JOINER		
	HCP-4506070-SM	SURFACE MOUNT CLIP		



CUSTOM LENGTHS AVAILABLE UP TO 2840MM
CONTACT SALES@HAVITCOMMERCIAL.COM.AU
FOR MORE INFORMATION

CUSTOM LENGTH PENDANT OR EXTENSIONS







17

PROLINE
PENDANTS

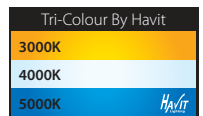
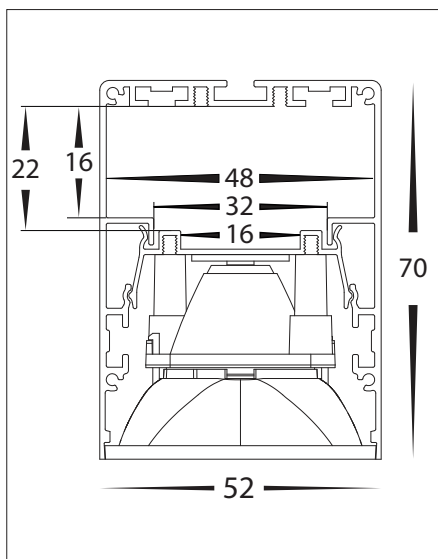
PRODUCT DATA

PENDANT OR EXTENSIONS	
MATERIAL	ALUMINIUM
COLOUR/FINISH	MATT WHITE
COLOUR TEMP.	3000K 4000K 5000K
LUMEN OUTPUT	900LM 920LM 930LM
INPUT VOLTAGE	240V AC
BUILT-IN LED	10W PER METRE
DIMMING	TRIAC, 0-1/10V, DALI
CRI	RA > 90
BEAM ANGLE	120°
IP RATING	IP20

PRODUCT ORDERING

PENDANTS (SUPPLIED WITH 2X SUSPENSION KITS PER METRE)				
	HCP-69352722 (TRIAC + 0-1/10V DIMMABLE)	10W LED PER METRE	3000K 4000K 5000K	900LM 920LM 930LM
	HCP-69352724 (DALI DIMMABLE)	10W LED PER METRE	3000K 4000K 5000K	900LM 920LM 930LM
EXTENSIONS				
	HCP-60352722 (TRIAC + 0-1/10V DIMMABLE)	10W LED PER METRE	3000K 4000K 5000K	900LM 920LM 930LM
	HCP-60352724 (DALI DIMMABLE)	10W LED PER METRE	3000K 4000K 5000K	900LM 920LM 930LM
JOINERS				
	HCP-4805270-JOINER	STRAIGHT JOINER		
	HCP-4506070-SM	SURFACE MOUNT CLIP		

OTHER DATA



CUSTOM LENGTHS AVAILABLE UP TO 2840MM
CONTACT SALES@HAVITCOMMERCIAL.COM.AU
FOR MORE INFORMATION

PROLINE CIRCA PENDANTS



Tri-Colour By Havit	
3000K	
4000K	
5500K	

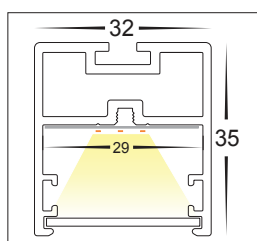
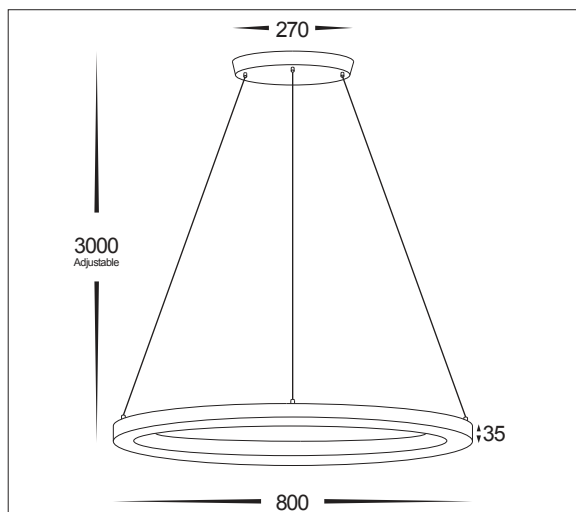
PRODUCT DATA

PROLINE CIRCA PENDANTS	
MATERIAL	ALUMINIUM
COLOUR/FINISH	MATT BLACK OR WHITE
COLOUR TEMP.	3000K 4000K 5500K (TRI-COLOUR)
LUMEN OUTPUT	1780LM 1900LM 2000LM
INPUT VOLTAGE	240V AC
BUILT-IN LED	40W
DIMMING	TRIAC, 0-1/10V, DALI
CRI	RA >80
BEAM ANGLE	120°
IP RATING	IP20

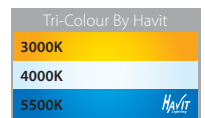
PRODUCT ORDERING

ALUMINIUM BLACK				
	HCP-642130 (TRIAC Dimmable)	40W LED	3000K 4000K 5500K	1780LM 1900LM 2000LM
	HCP-642133 (0-1/10V Dimmable)	40W LED	3000K 4000K 5500K	1780LM 1900LM 2000LM
	HCP-642134 (DALI Dimmable)	40W LED	3000K 4000K 5500K	1780LM 1900LM 2000LM
ALUMINIUM WHITE				
	HCP-643130 (TRIAC Dimmable)	40W LED	3000K 4000K 5500K	1780LM 1900LM 2000LM
	HCP-643133 (0-1/10V Dimmable)	40W LED	3000K 4000K 5500K	1780LM 1900LM 2000LM
	HCP-643134 (DALI Dimmable)	40W LED	3000K 4000K 5500K	1780LM 1900LM 2000LM

OTHER DATA



Custom sizes available. Contact Havit Commercial for more information.



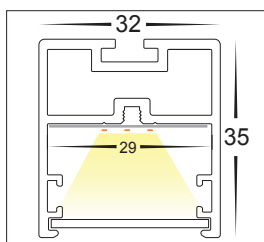
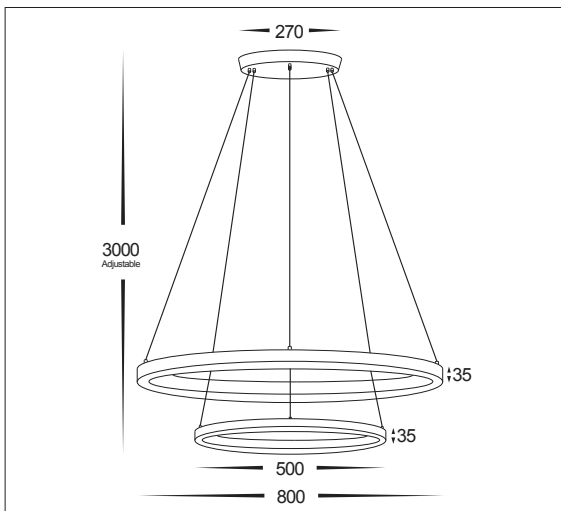
PRODUCT DATA

PROLINE CIRCA PENDANTS	
MATERIAL	ALUMINIUM
COLOUR/FINISH	MATT BLACK OR WHITE
COLOUR TEMP.	3000K 4000K 5500K (TRI-COLOUR)
LUMEN OUTPUT	2977LM 3100LM 3200LM
INPUT VOLTAGE	240V AC
BUILT-IN LED	65W
DIMMING	TRIAC, 0-1/10V, DALI
CRI	RA >80
BEAM ANGLE	120°
IP RATING	IP20

PRODUCT ORDERING

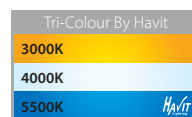
ALUMINIUM BLACK				
	HCP-652130 (TRIAC Dimmable)	65W LED	3000K 4000K 5500K	2977LM 3100LM 3200LM
	HCP-652133 (0-1/10V Dimmable)	65W LED	3000K 4000K 5500K	2977LM 3100LM 3200LM
	HCP-652134 (DALI Dimmable)	65W LED	3000K 4000K 5500K	2977LM 3100LM 3200LM
ALUMINIUM WHITE				
	HCP-653130 (TRIAC Dimmable)	65W LED	3000K 4000K 5500K	2977LM 3100LM 3200LM
	HCP-653133 (0-1/10V Dimmable)	65W LED	3000K 4000K 5500K	2977LM 3100LM 3200LM
	HCP-653134 (DALI Dimmable)	65W LED	3000K 4000K 5500K	2977LM 3100LM 3200LM

OTHER DATA



Custom sizes available. Contact Havit Commercial for more information.

PROLINE CIRCA PENDANTS



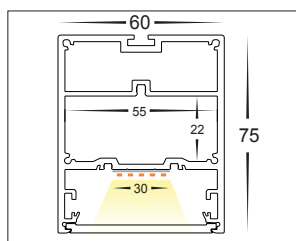
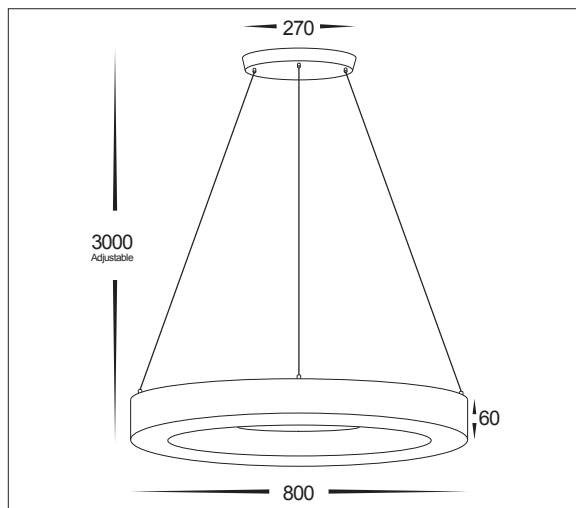
PRODUCT DATA

PROLINE CIRCA PENDANTS	
MATERIAL	ALUMINIUM
COLOUR/FINISH	MATT BLACK OR WHITE
COLOUR TEMP.	3000K 4000K 5500K (TRI-COLOUR)
LUMEN OUTPUT	4590LM 4670LM 4750LM
INPUT VOLTAGE	240V AC
BUILT-IN LED	65W
DIMMING	TRIAC, 0-1/10V, DALI
CRI	RA >80
BEAM ANGLE	120°
IP RATING	IP20

PRODUCT ORDERING

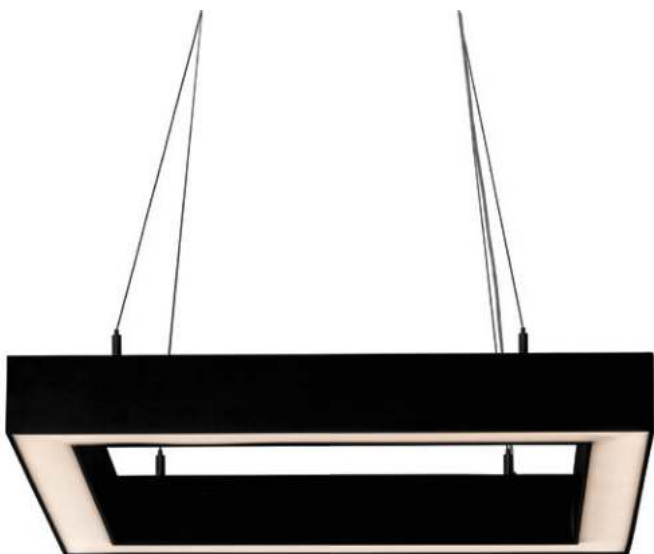
ALUMINIUM BLACK				
	HCP-682130 (TRIAC Dimmable)	65W LED	3000K 4000K 5500K	4590LM 4670LM 4750LM
	HCP-682133 (0-1/10V Dimmable)	65W LED	3000K 4000K 5500K	4590LM 4670LM 4750LM
	HCP-682134 (DALI Dimmable)	65W LED	3000K 4000K 5500K	4590LM 4670LM 4750LM
ALUMINIUM WHITE				
	HCP-683130 (TRIAC Dimmable)	65W LED	3000K 4000K 5500K	4590LM 4670LM 4750LM
	HCP-683133 (0-1/10V Dimmable)	65W LED	3000K 4000K 5500K	4590LM 4670LM 4750LM
	HCP-683134 (DALI Dimmable)	65W LED	3000K 4000K 5500K	4590LM 4670LM 4750LM

OTHER DATA



Custom sizes available. Contact Havit Commercial for more information.

PROLINE SQUARE PENDANTS



Tri-Colour By Havit	
3000K	
4000K	
5500K	

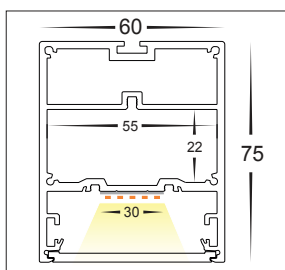
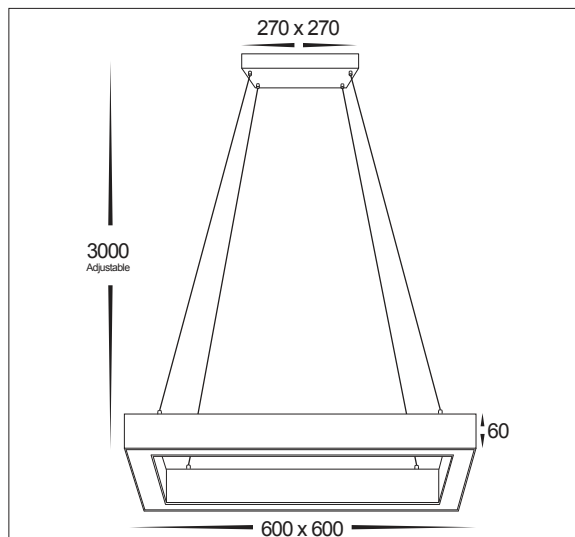
PRODUCT DATA

PROLINE SQUARE PENDANTS	
MATERIAL	ALUMINIUM
COLOUR/FINISH	MATT BLACK OR WHITE
COLOUR TEMP.	3000K 4000K 5500K (TRI-COLOUR)
LUMEN OUTPUT	5230LM 5350LM 5670LM
INPUT VOLTAGE	240V AC
BUILT-IN LED	65W
DIMMING	TRIAC DIMMABLE
CRI	RA >80
BEAM ANGLE	120°
IP RATING	IP20

PRODUCT ORDERING

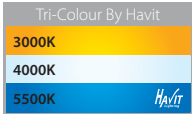
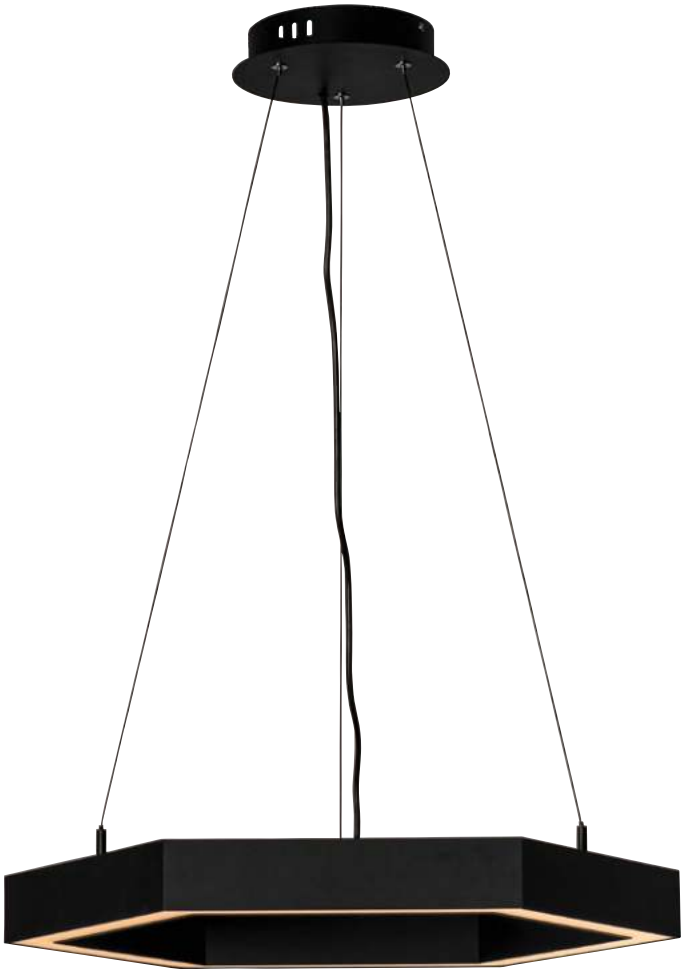
ALUMINIUM BLACK				
	HCP-672850	65W LED	3000K 4000K 5500K	5230LM 5350LM 5670LM
ALUMINIUM WHITE				
	HCP-673850	65W LED	3000K 4000K 5500K	5230LM 5350LM 5670LM

OTHER DATA



Custom sizes available. Contact Havit Commercial for more information.


PROLINE HEXAGON PENDANT



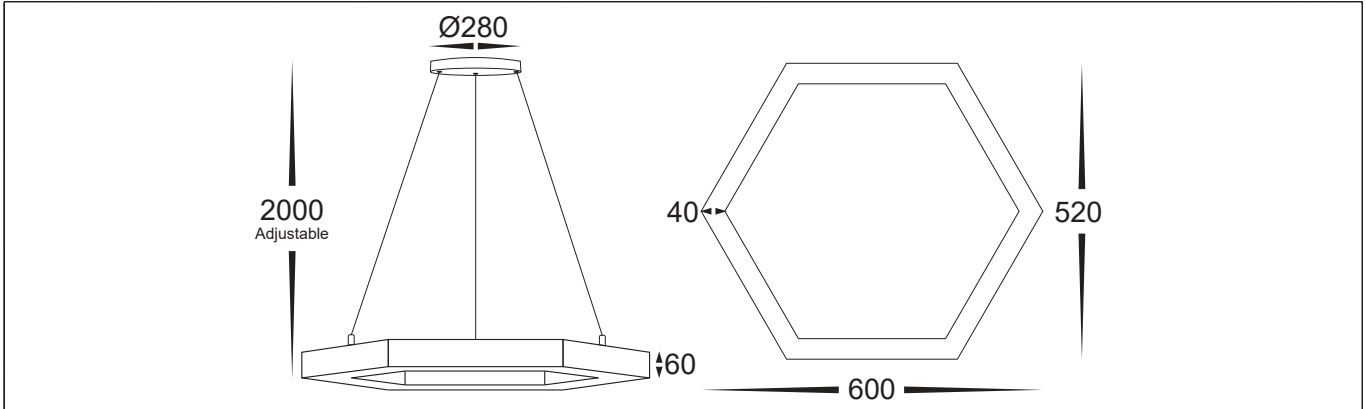
PRODUCT DATA

PROLINE HEXAGON PENDANT	
MATERIAL	ALUMINIUM
COLOUR/FINISH	MATT BLACK
COLOUR TEMP	3000K 4000K 5500K (TRI COLOUR)
LUMEN OUTPUT	1200LM 1250LM 1300LM
INPUT VOLTAGE	240V AC
BUILT IN LED	13W LED
DIMMING	TRIAC
CRI	RA > 80
BEAM ANGLE	120°
IP RATING	IP20

PRODUCT ORDERING

ALUMINIUM BLACK				
	HCP-672130	13W LED	3000K	1200LM
			4000K	1250LM
			5500K	1300LM

OTHER DATA



PROLINE HEXAGON PENDANT

17

PROLINE
PENDANTS



Tri-Colour By Havit	
3000K	
4000K	
5500K	Havit

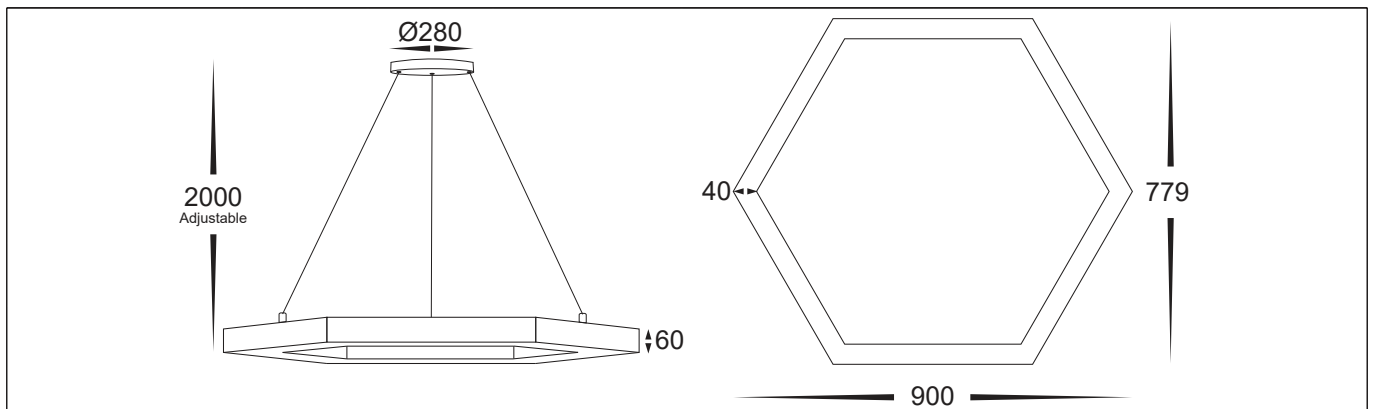
PRODUCT DATA

PROLINE HEXAGON PENDANT	
MATERIAL	ALUMINIUM
COLOUR/FINISH	MATT BLACK
COLOUR TEMP	3000K 4000K 5500K (TRI COLOUR)
LUMEN OUTPUT	1600LM 1650LM 1700LM
INPUT VOLTAGE	240V AC
BUILT IN LED	17W LED
DIMMING	TRIAC
CRI	RA > 80
BEAM ANGLE	120°
IP RATING	IP20

PRODUCT ORDERING

ALUMINIUM BLACK				
	HCP-672170	17W LED	3000K	1600LM
			4000K	1250LM
			5500K	1300LM

OTHER DATA



PROLINE HEXAGON PENDANT




Tri-Colour By Havit	
3000K	
4000K	
5500K	HAVIT

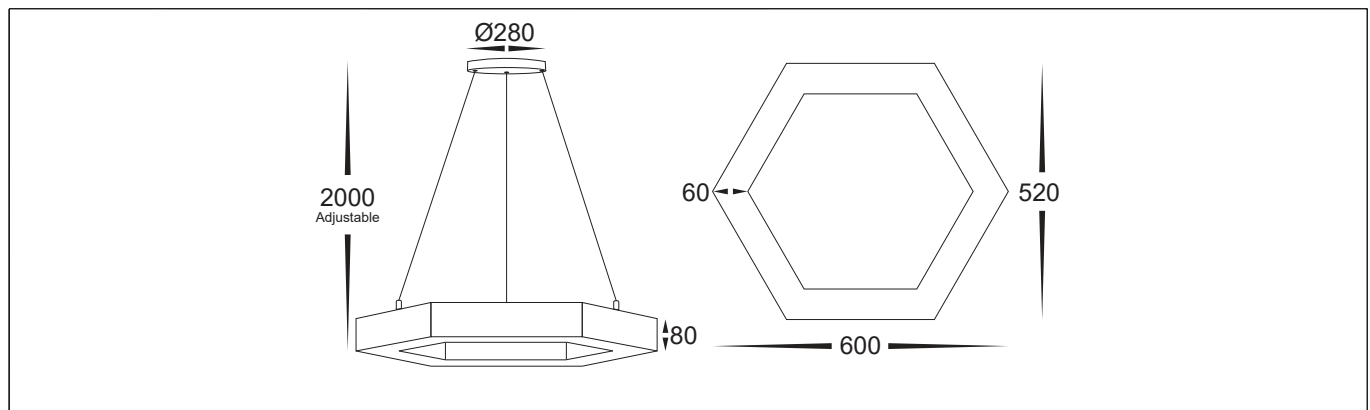
PRODUCT DATA

PROLINE HEXAGON PENDANT	
MATERIAL	ALUMINIUM
COLOUR/FINISH	MATT BLACK
COLOUR TEMP	3000K 4000K 5500K (TRI COLOUR)
LUMEN OUTPUT	2400LM 2450LM 2500LM
INPUT VOLTAGE	240V AC
BUILT IN LED	25W LED
DIMMING	TRIAC
CRI	RA > 80
BEAM ANGLE	120°
IP RATING	IP20

PRODUCT ORDERING

ALUMINIUM BLACK				
	HCP-672250	25W LED	3000K	2400LM
			4000K	2450LM
			5500K	2500LM

OTHER DATA



PROLINE HEXAGON PENDANT

17

PROLINE
PENDANTS




Tri-Colour By Havit	
3000K	
4000K	
5500K	HAVIT

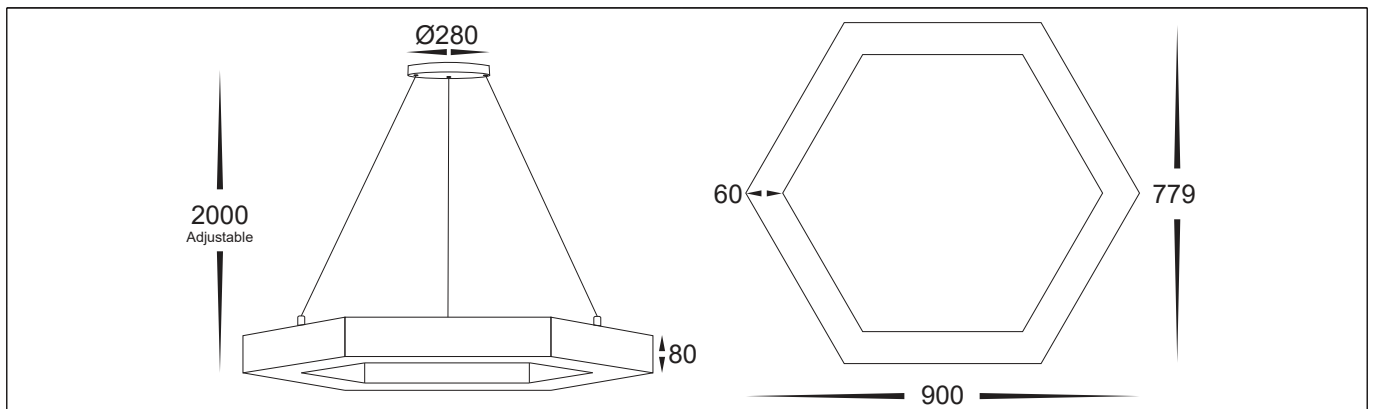
PRODUCT DATA

PROLINE HEXAGON PENDANT	
MATERIAL	ALUMINIUM
COLOUR/FINISH	MATT BLACK
COLOUR TEMP	3000K 4000K 5500K (TRI COLOUR)
LUMEN OUTPUT	2900LM 2950LM 3000LM
INPUT VOLTAGE	240V AC
BUILT IN LED	30W LED
DIMMING	TRIAC
CRI	RA > 80
BEAM ANGLE	120°
IP RATING	IP20

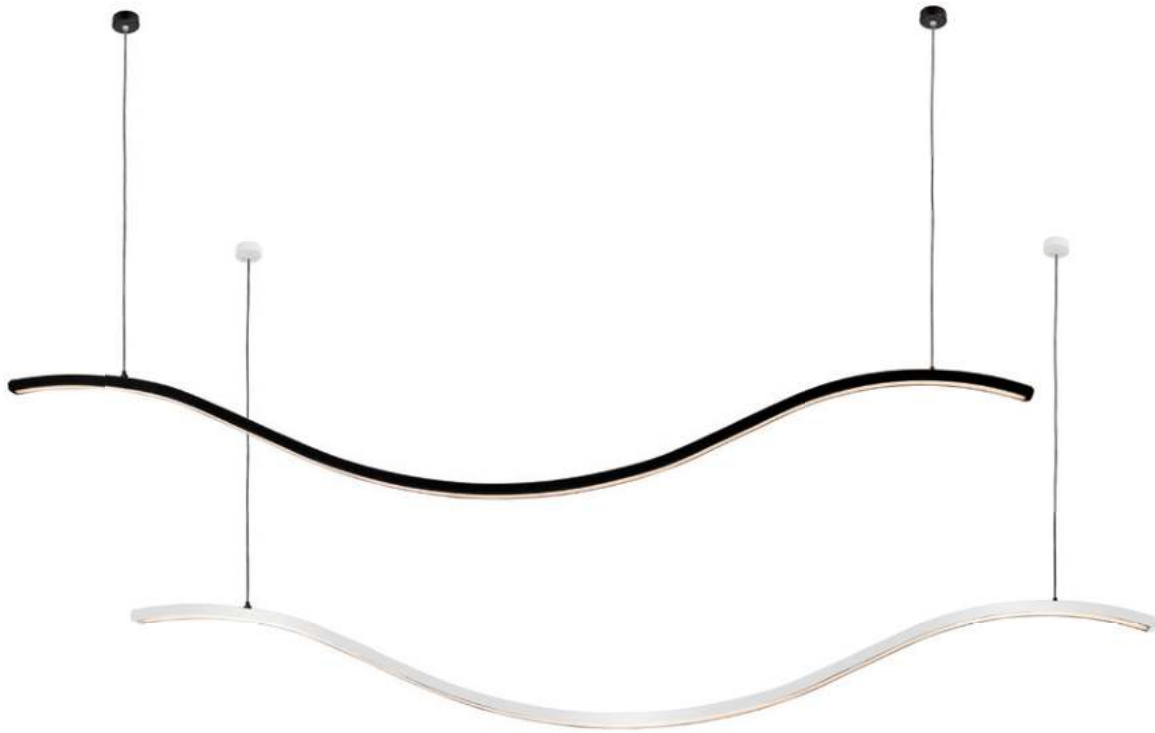
PRODUCT ORDERING

ALUMINIUM BLACK				
	HCP-672300	30W LED	3000K 4000K 5500K	2900LM 2950LM 3000LM

OTHER DATA



1500MM PROLINE WAVE PENDANTS





Tri-Colour By Havit	
3000K	Havit
4000K	
5500K	

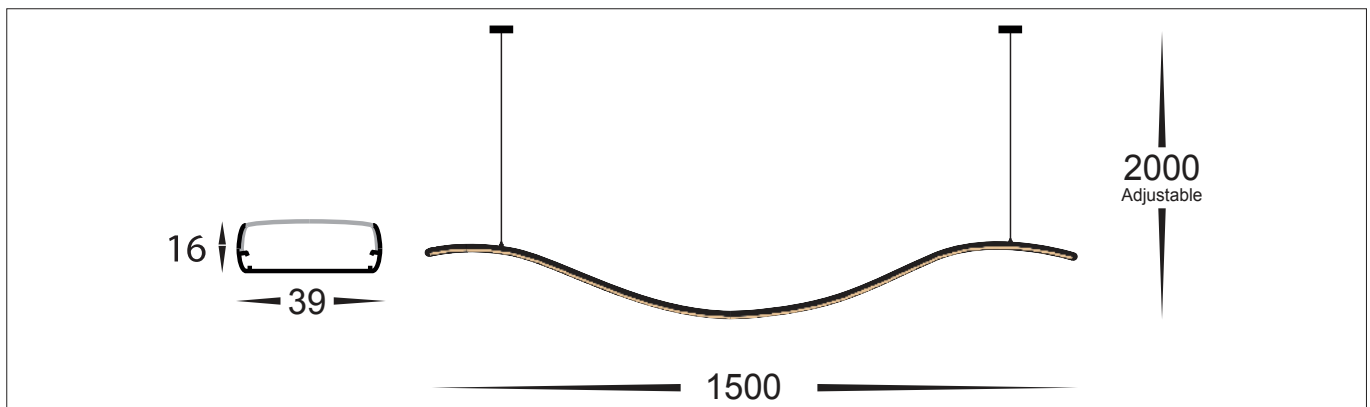
PRODUCT DATA

1500MM PROLINE WAVE PENDANTS	
MATERIAL	ALUMINIUM
COLOUR/FINISH	MATT BLACK OR WHITE
COLOUR TEMP.	3000K 4000K 5500K (TRI-COLOUR)
LUMEN OUTPUT	3550LM 3620LM 3680LM
INPUT VOLTAGE	240V AC (REMOTE DRIVER)
BUILT-IN LED	50W
DIMMING	TRIAC DIMMABLE
CRI	RA >80
BEAM ANGLE	120°
IP RATING	IP20

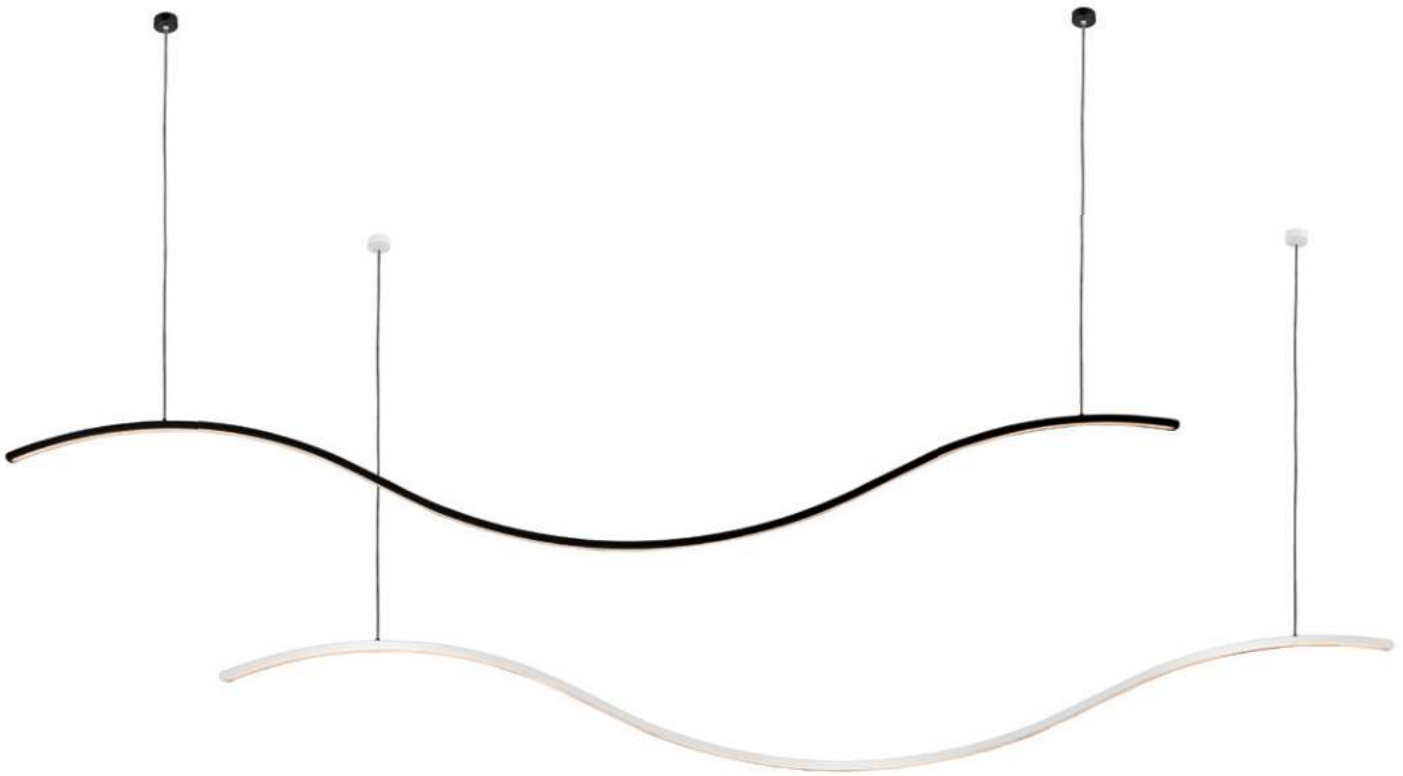
PRODUCT ORDERING

ALUMINIUM BLACK				
	HCP-662500	50W LED	3000K 4000K 5500K	3550LM 3620LM 3680LM
ALUMINIUM WHITE				
	HCP-663500	50W LED	3000K 4000K 5500K	3550LM 3620LM 3680LM

OTHER DATA



2500MM PROLINE WAVE PENDANTS



17



PROLINE
PENDANTS

Tri-Colour By Havit	
3000K	
4000K	
5500K	Havit

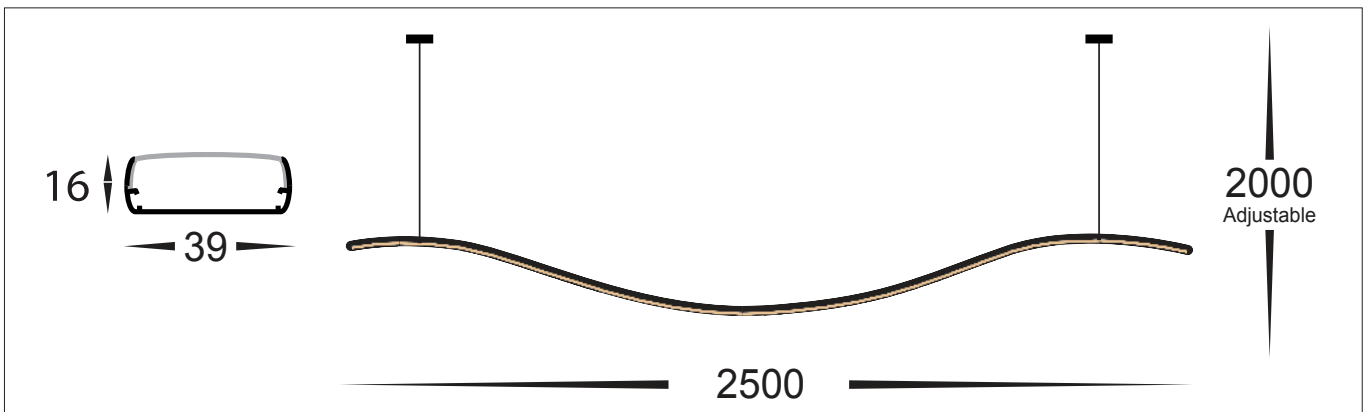
PRODUCT DATA

2500MM PROLINE WAVE PENDANTS	
MATERIAL	ALUMINIUM
COLOUR/FINISH	MATT BLACK OR WHITE
COLOUR TEMP.	3000K 4000K 5500K (TRI-COLOUR)
LUMEN OUTPUT	5250LM 5600LM 5840LM
INPUT VOLTAGE	240V AC (REMOTE DRIVER)
BUILT-IN LED	80W
DIMMING	TRIAC DIMMABLE
CRI	RA >80
BEAM ANGLE	120°
IP RATING	IP20

PRODUCT ORDERING

ALUMINIUM BLACK				
	HCP-662800	80W LED	3000K 4000K 5500K	5250LM 5600LM 5840LM
ALUMINIUM WHITE				
	HCP-663800	80W LED	3000K 4000K 5500K	5250LM 5600LM 5840LM

OTHER DATA





13W DALI DIMMABLE SEMI DEEP RECESSED DOWNLIGHTS



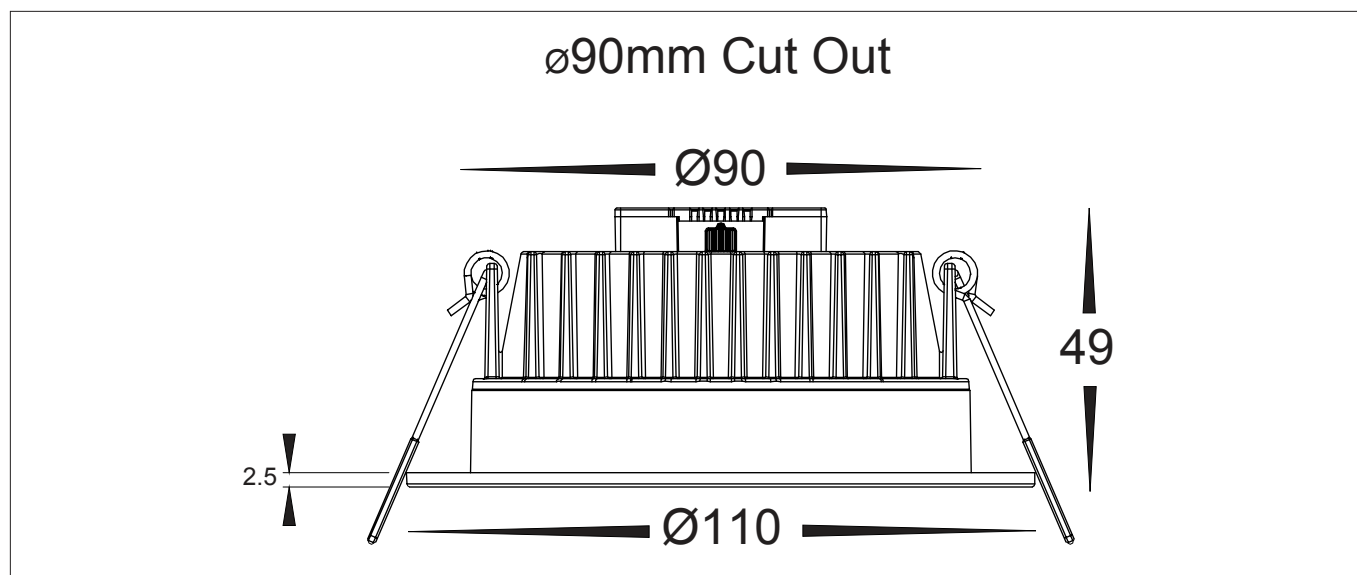
PRODUCT DATA

13W DALI DIMMABLE DOWNLIGHTS	
MATERIAL	ALUMINIUM
COLOUR/FINISH	MATT BLACK OR MATT WHITE
COLOUR TEMP	2700K 3000K 4000K 5000K 5700K
LUMEN OUTPUT	952LM 973LM 1072LM 1019LM 1135LM
INPUT VOLTAGE	240V AC (REMOTE DALI DRIVER)
BUILT IN LED	13W LED
DIMMING	DALI DIMMABLE
CRI	RA > 90
BEAM ANGLE	40°
CUT OUT	90MM
IC4 RATING	YES
IP RATING	IP54

PRODUCT ORDERING

ALUMINIUM BLACK				
	HCP-8421314	13W LED	2700K 3000K 4000K 5000K 5700K	952LM 973LM 1072LM 1019LM 1135LM
ALUMINIUM WHITE				
	HCP-8431314	13W LED	2700K 3000K 4000K 5000K 5700K	952LM 973LM 1072LM 1019LM 1135LM

OTHER DATA





13W DALI DIMMABLE SEMI DEEP RECESSED DOWNLIGHTS



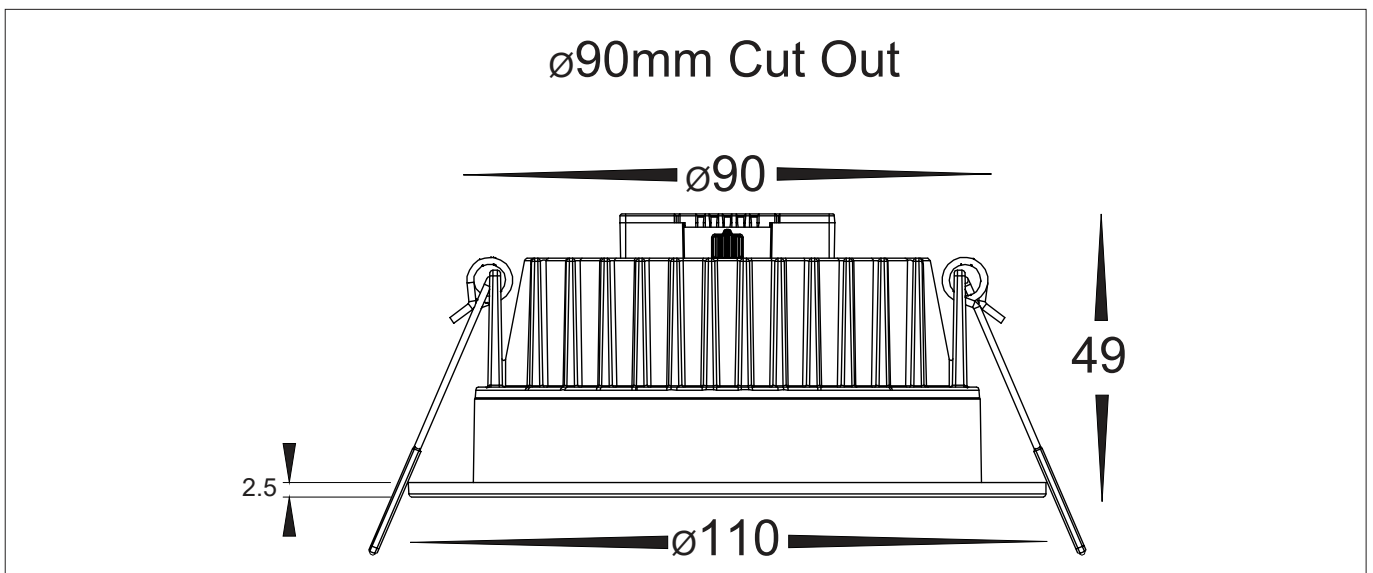
PRODUCT DATA

13W DALI DIMMABLE DOWNLIGHTS	
MATERIAL	ALUMINIUM
COLOUR/FINISH	MATT BLACK OR MATT WHITE
COLOUR TEMP.	2700K 3000K 4000K 5000K 5700K
LUMEN OUTPUT	900LM 938LM 1024LM 1092LM 1110LM
INPUT VOLTAGE	240V AC (REMOTE DALI DRIVER)
BUILT-IN LED	13W
DIMMING	DALI DIMMABLE
CRI	RA >90
BEAM ANGLE	90°
CUT OUT	90MM
IC4 RATING	YES
IP RATING	IP44

PRODUCT ORDERING

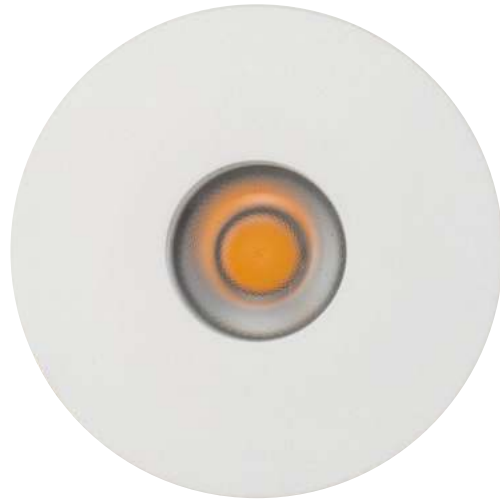
ALUMINIUM BLACK				
	HCP-8421204	13W LED	2700K 3000K 4000K 5000K 5700K	900LM 938LM 1024LM 1092LM 1110LM
ALUMINIUM WHITE				
	HCP-8431204	13W LED	2700K 3000K 4000K 5000K 5700K	900LM 938LM 1024LM 1092LM 1110LM

OTHER DATA






DIMMABLE MINI DOWNLIGHTS



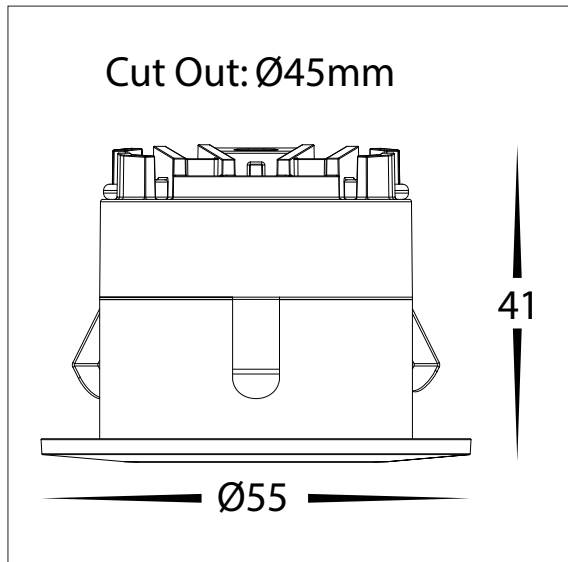
PRODUCT DATA

5W DIMMABLE MINI DOWNLIGHTS	
MATERIAL	ALUMINIUM
COLOUR/FINISH	MATT BLACK OR MATT WHITE
COLOUR TEMP	3000K 4000K 5000K
LUMEN OUTPUT	297LM 320LM 344LM
INPUT VOLTAGE	240V (REMOTE DRIVER)
BUILT IN LED	5W
DIMMING	TRIAC
CRI	80+
BEAM ANGLE	50°
CUT OUT	45MM
IC4-RATING	YES
IP RATING	IP54

PRODUCT ORDERING


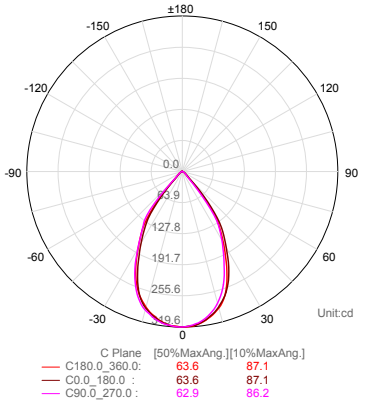



ALUMINIUM BLACK				
	HCP-8120532	3000K	297LM	5W LED
	HCP-8120542	4000K	320LM	
	HCP-8120552	5000K	344LM	
ALUMINIUM WHITE				
	HCP-8130532	3000K	297LM	5W LED
	HCP-8130542	4000K	320LM	
	HCP-8130552	5000K	344LM	

OTHER DATA



DIMMABLE DOWNLIGHT MODULES

PRODUCT ORDERING

6 WATT LED MODULE					
	HCP-806024 TRIAC DIMMABLE	6W LED	2700K 3000K 4000K 5000K 5700K	274LM 279LM 300LM 318LM 325LM	 <p>C Plane [50%MaxAng.][10%MaxAng.]</p> <ul style="list-style-type: none"> C180.0_360.0: 63.6 87.1 C0.0_180.0: 63.6 87.1 C90.0_270.0: 62.9 86.2
	HCP-809024 TRIAC DIMMABLE		9W LED	2700K 3000K 4000K 5000K 5700K	
	HCP-809044 DALI DIMMABLE	9W LED		2700K 3000K 4000K 5000K 5700K	647LM 653LM 734LM 750LM 769LM
	HCP-813024 TRIAC DIMMABLE		13W LED	2700K 3000K 4000K 5000K 5700K	980LM 965LM 959LM 1072LM 1089LM
	HCP-813044 DALI DIMMABLE	13W LED		2700K 3000K 4000K 5000K 5700K	980LM 965LM 959LM 1072LM 1089LM
	HCP-817024 TRIAC DIMMABLE		17W LED	2700K 3000K 4000K 5000K 5700K	1191LM 1202LM 1297LM 1365LM 1397LM
	HCP-817044 DALI DIMMABLE	17W LED		2700K 3000K 4000K 5000K 5700K	1191LM 1202LM 1297LM 1365LM 1397LM



PRODUCT DATA

FIVE-COLOUR DIMMABLE MODULES	
MATERIAL	ALUMINIUM
COLOUR/FINISH	MATT BLACK OR MATT WHITE
COLOUR TEMP	2700K 3000K 4000K 5000K 5700K (FIVE-COLOUR)
LUMEN OUTPUT	SEE PRODUCT ORDERING TABLE
INPUT VOLTAGE	240V (REMOTE DRIVER)
BUILT IN LED	6W 9W 13W 17W
DIMMING	TRIAC OR DALI
CRI	90+
BEAM ANGLE	60°
IC4-RATING	YES
IP RATING	IP44



Switch on back of Module for Colour Temperature selection

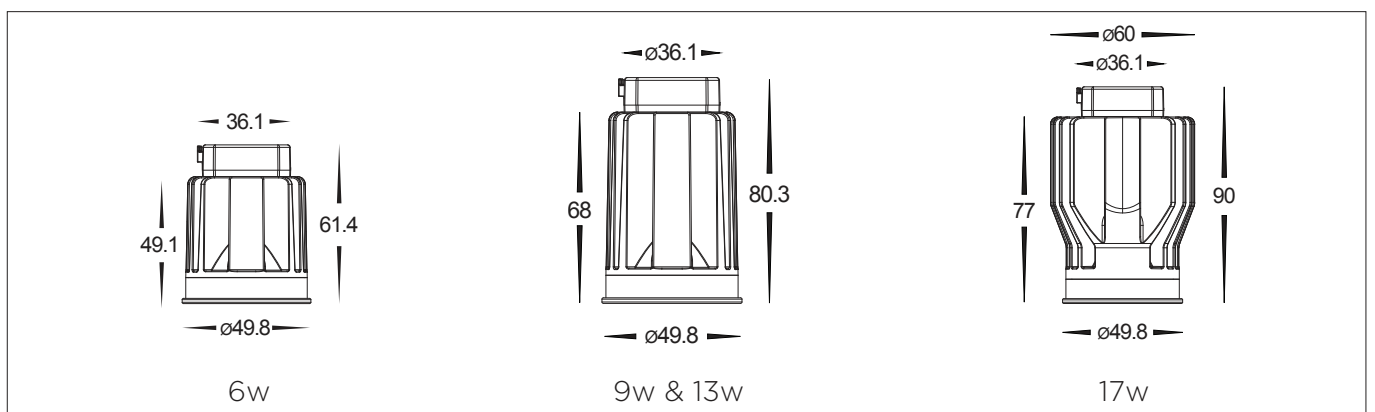


FIVE COLOUR

OPTIONAL REFLECTORS		
	HCP-80090-15	15° REFLECTOR
	HCP-80090-28	28° REFLECTOR
	HCP-80090-40	40° REFLECTOR

OPTIONAL HONEYCOMB LENS	
	HCP-80090-HC

OTHER DATA



DIMMABLE DOWNLIGHTS

PRODUCT ORDERING


6 WATT ALUMINIUM BLACK					
	HCP-81220106 TRIAC DIMMABLE	6W LED	2700K 3000K 4000K 5000K 5700K	274LM 279LM 300LM 318LM 325LM	
6 WATT ALUMINIUM WHITE					
	HCP-81320106 TRIAC DIMMABLE	6W LED	2700K 3000K 4000K 5000K 5700K	274LM 279LM 300LM 318LM 325LM	
9 WATT ALUMINIUM BLACK					
	HCP-81220109 TRIAC DIMMABLE	9W LED	2700K 3000K 4000K 5000K 5700K	647LM 653LM 734LM 750LM 769LM	
	HCP-81240109 DALI DIMMABLE			647LM 653LM 734LM 750LM 769LM	
9 WATT ALUMINIUM WHITE					
	HCP-81320109 TRIAC DIMMABLE	9W LED	2700K 3000K 4000K 5000K 5700K	647LM 653LM 734LM 750LM 769LM	
	HCP-81340109 DALI DIMMABLE			647LM 653LM 734LM 750LM 769LM	
13 WATT ALUMINIUM BLACK					
	HCP-81220113 TRIAC DIMMABLE	13W LED	2700K 3000K 4000K 5000K 5700K	980LM 965LM 959LM 1072LM 1089LM	
	HCP-81240113 DALI DIMMABLE			980LM 965LM 959LM 1072LM 1089LM	
13 WATT ALUMINIUM WHITE					
	HCP-81320113 TRIAC DIMMABLE	13W LED	2700K 3000K 4000K 5000K 5700K	980LM 965LM 959LM 1072LM 1089LM	
	HCP-81340113 DALI DIMMABLE			980LM 965LM 959LM 1072LM 1089LM	
17 WATT ALUMINIUM BLACK					
	HCP-81220117 TRIAC DIMMABLE	17W LED	2700K 3000K 4000K 5000K 5700K	1191LM 1202LM 1297LM 1365LM 1397LM	
	HCP-81240117 DALI DIMMABLE			1191LM 1202LM 1297LM 1365LM 1397LM	
17 WATT ALUMINIUM WHITE					
	HCP-81320117 TRIAC DIMMABLE	17W LED	2700K 3000K 4000K 5000K 5700K	1191LM 1202LM 1297LM 1365LM 1397LM	
	HCP-81340117 DALI DIMMABLE			1191LM 1202LM 1297LM 1365LM 1397LM	

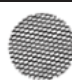


PRODUCT DATA

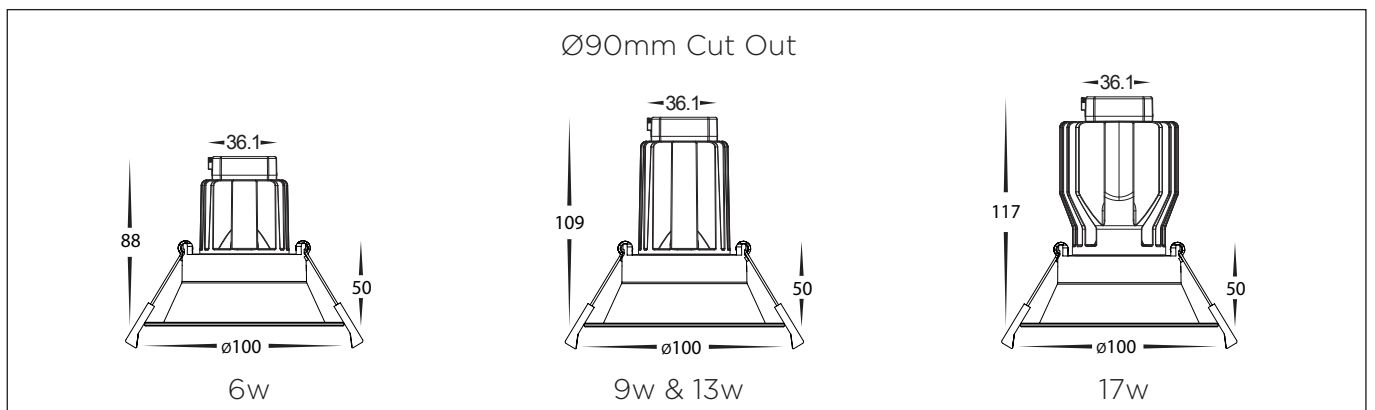
FIVE-COLOUR DIMMABLE DOWNLIGHTS	
MATERIAL	ALUMINIUM
COLOUR/FINISH	MATT BLACK OR MATT WHITE
COLOUR TEMP	2700K 3000K 4000K 5000K 5700K (FIVE-COLOUR)
LUMEN OUTPUT	SEE PRODUCT ORDERING TABLE
INPUT VOLTAGE	240V (REMOTE DRIVER)
BUILT IN LED	6W 9W 13W 17W
DIMMING	TRIAC OR DALI
CRI	90+
BEAM ANGLE	60°
TILT	20°
CUT OUT	90MM
IC4-RATING	YES
IP RATING	IP44



OPTIONAL REFLECTORS		
	HCP-80090-15	15° REFLECTOR
	HCP-80090-28	28° REFLECTOR
	HCP-80090-40	40° REFLECTOR

OPTIONAL HONEYCOMB LENS	
	HCP-80090-HC

OTHER DATA



DIMMABLE DOWNLIGHTS

PRODUCT ORDERING


6 WATT ALUMINIUM BLACK					
	HCP-81220206 TRIAC DIMMABLE	6W LED	2700K 3000K 4000K 5000K 5700K	274LM 279LM 300LM 318LM 325LM	
6 WATT ALUMINIUM WHITE					
	HCP-81320206 TRIAC DIMMABLE	6W LED	2700K 3000K 4000K 5000K 5700K	274LM 279LM 300LM 318LM 325LM	
9 WATT ALUMINIUM BLACK					
	HCP-81220209 TRIAC DIMMABLE	9W LED	2700K 3000K 4000K 5000K 5700K	647LM 653LM 734LM 750LM 769LM	
	HCP-81240209 DALI DIMMABLE				
9 WATT ALUMINIUM WHITE					
	HCP-81320209 TRIAC DIMMABLE	9W LED	2700K 3000K 4000K 5000K 5700K	647LM 653LM 734LM 750LM 769LM	
	HCP-81340209 DALI DIMMABLE				
13 WATT ALUMINIUM BLACK					
	HCP-81220213 TRIAC DIMMABLE	13W LED	2700K 3000K 4000K 5000K 5700K	980LM 965LM 959LM 1072LM 1089LM	
	HCP-81240213 DALI DIMMABLE				
13 WATT ALUMINIUM WHITE					
	HCP-81320213 TRIAC DIMMABLE	13W LED	2700K 3000K 4000K 5000K 5700K	980LM 965LM 959LM 1072LM 1089LM	
	HCP-81340213 DALI DIMMABLE				
17 WATT ALUMINIUM BLACK					
	HCP-81220217 TRIAC DIMMABLE	17W LED	2700K 3000K 4000K 5000K 5700K	1191LM 1202LM 1297LM 1365LM 1397LM	
	HCP-81240217 DALI DIMMABLE				
17 WATT ALUMINIUM WHITE					
	HCP-81320217 TRIAC DIMMABLE	17W LED	2700K 3000K 4000K 5000K 5700K	1191LM 1202LM 1297LM 1365LM 1397LM	
	HCP-81340217 DALI DIMMABLE				

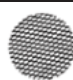


PRODUCT DATA

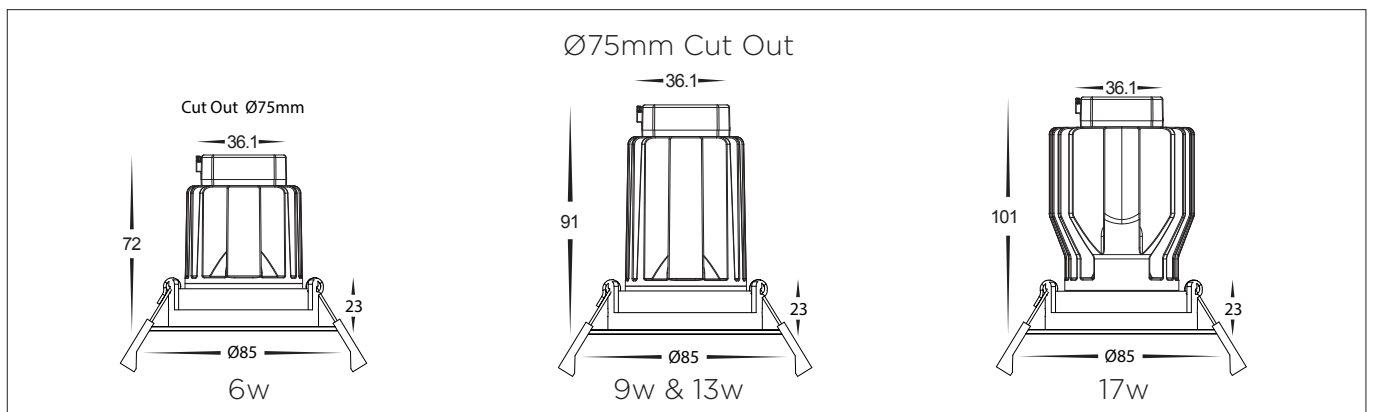
FIVE-COLOUR DIMMABLE DOWNLIGHTS	
MATERIAL	ALUMINIUM
COLOUR/FINISH	MATT BLACK OR MATT WHITE
COLOUR TEMP	2700K 3000K 4000K 5000K 5700K (FIVE-COLOUR)
LUMEN OUTPUT	SEE PRODUCT ORDERING TABLE
INPUT VOLTAGE	240V (REMOTE DRIVER)
BUILT IN LED	6W 9W 13W 17W
DIMMING	TRIAC OR DALI
CRI	90+
BEAM ANGLE	60°
TILT	20°
CUT OUT	75MM
IC4-RATING	YES
IP RATING	IP44



OPTIONAL REFLECTORS		
	HCP-80090-15	15° REFLECTOR
	HCP-80090-28	28° REFLECTOR
	HCP-80090-40	40° REFLECTOR

OPTIONAL HONEYCOMB LENS	
	HCP-80090-HC

OTHER DATA



DIMMABLE DOWNLIGHTS

PRODUCT ORDERING

6 WATT ALUMINIUM BLACK					
	HCP-81220306 TRIAC DIMMABLE	6W LED	2700K 3000K 4000K 5000K 5700K	274LM 279LM 300LM 318LM 325LM	
6 WATT ALUMINIUM WHITE					
	HCP-81320306 TRIAC DIMMABLE	6W LED	2700K 3000K 4000K 5000K 5700K	274LM 279LM 300LM 318LM 325LM	
9 WATT ALUMINIUM BLACK					
	HCP-81220309 TRIAC DIMMABLE HCP-81240309 DALI DIMMABLE	9W LED	2700K 3000K 4000K 5000K 5700K	647LM 653LM 734LM 750LM 769LM	
9 WATT ALUMINIUM WHITE					
	HCP-81320309 TRIAC DIMMABLE HCP-81340309 DALI DIMMABLE	9W LED	2700K 3000K 4000K 5000K 5700K	647LM 653LM 734LM 750LM 769LM	
13 WATT ALUMINIUM BLACK					
	HCP-81220313 TRIAC DIMMABLE HCP-81240313 DALI DIMMABLE	13W LED	2700K 3000K 4000K 5000K 5700K	980LM 965LM 959LM 1072LM 1089LM	
13 WATT ALUMINIUM WHITE					
	HCP-81320313 TRIAC DIMMABLE HCP-81340313 DALI DIMMABLE	13W LED	2700K 3000K 4000K 5000K 5700K	980LM 965LM 959LM 1072LM 1089LM	
17 WATT ALUMINIUM BLACK					
	HCP-81220317 TRIAC DIMMABLE HCP-81240317 DALI DIMMABLE	17W LED	2700K 3000K 4000K 5000K 5700K	1191LM 1202LM 1297LM 1365LM 1397LM	
17 WATT ALUMINIUM WHITE					
	HCP-81320317 TRIAC DIMMABLE HCP-81340317 DALI DIMMABLE	17W LED	2700K 3000K 4000K 5000K 5700K	1191LM 1202LM 1297LM 1365LM 1397LM	



PRODUCT DATA

FIVE-COLOUR DIMMABLE DOWNLIGHTS	
MATERIAL	ALUMINIUM
COLOUR/FINISH	MATT BLACK OR MATT WHITE
COLOUR TEMP	2700K 3000K 4000K 5000K 5700K (FIVE-COLOUR)
LUMEN OUTPUT	SEE PRODUCT ORDERING TABLE
INPUT VOLTAGE	240V (REMOTE DRIVER)
BUILT IN LED	6W 9W 13W 17W
DIMMING	TRIAC OR DALI
CRI	90+
BEAM ANGLE	60°
TILT	FIXED - NO TILT
CUT OUT	76MM
IC4-RATING	YES
IP RATING	IP44

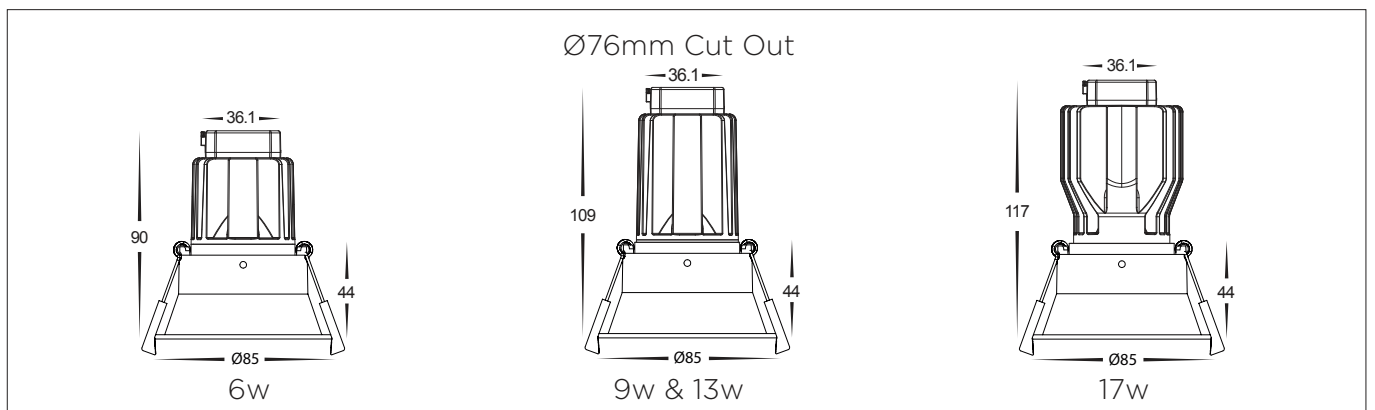


Switch on back of Module for Colour Temperature selection

OPTIONAL REFLECTORS		
	HCP-80090-15	15° REFLECTOR
	HCP-80090-28	28° REFLECTOR
	HCP-80090-40	40° REFLECTOR

OPTIONAL HONEYCOMB LENS	
	HCP-80090-HC

OTHER DATA



DIMMABLE DOWNLIGHTS

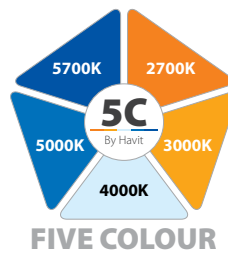
PRODUCT ORDERING


6 WATT ALUMINIUM BLACK					
	HCP-81220406 TRIAC DIMMABLE	6W LED	2700K 3000K 4000K 5000K 5700K	274LM 279LM 300LM 318LM 325LM	
6 WATT ALUMINIUM WHITE					
	HCP-81320406 TRIAC DIMMABLE	6W LED	2700K 3000K 4000K 5000K 5700K	274LM 279LM 300LM 318LM 325LM	
9 WATT ALUMINIUM BLACK					
	HCP-81220409 TRIAC DIMMABLE	9W LED	2700K 3000K 4000K 5000K 5700K	647LM 653LM 734LM 750LM 769LM	
	HCP-81240409 DALI DIMMABLE				
9 WATT ALUMINIUM WHITE					
	HCP-81320409 TRIAC DIMMABLE	9W LED	2700K 3000K 4000K 5000K 5700K	647LM 653LM 734LM 750LM 769LM	
	HCP-81340409 DALI DIMMABLE				
13 WATT ALUMINIUM BLACK					
	HCP-81220413 TRIAC DIMMABLE	13W LED	2700K 3000K 4000K 5000K 5700K	980LM 965LM 959LM 1072LM 1089LM	
	HCP-81240413 DALI DIMMABLE				
13 WATT ALUMINIUM WHITE					
	HCP-81320413 TRIAC DIMMABLE	13W LED	2700K 3000K 4000K 5000K 5700K	980LM 965LM 959LM 1072LM 1089LM	
	HCP-81340413 DALI DIMMABLE				
17 WATT ALUMINIUM BLACK					
	HCP-81220417 TRIAC DIMMABLE	17W LED	2700K 3000K 4000K 5000K 5700K	1191LM 1202LM 1297LM 1365LM 1397LM	
	HCP-81240417 DALI DIMMABLE				
17 WATT ALUMINIUM WHITE					
	HCP-81320417 TRIAC DIMMABLE	17W LED	2700K 3000K 4000K 5000K 5700K	1191LM 1202LM 1297LM 1365LM 1397LM	
	HCP-81340417 DALI DIMMABLE				

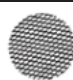


PRODUCT DATA

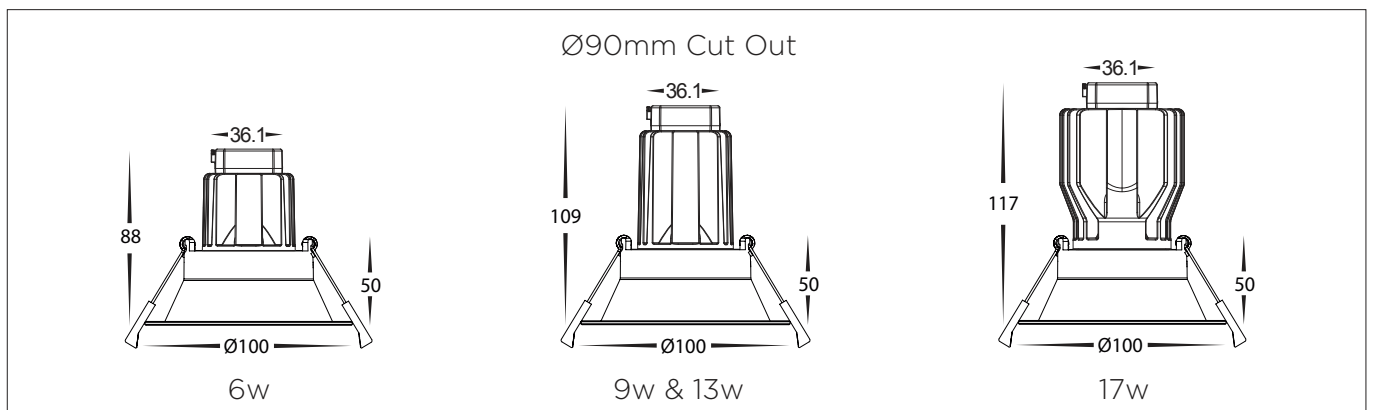
FIVE-COLOUR DIMMABLE DOWNLIGHTS	
MATERIAL	ALUMINIUM
COLOUR/FINISH	MATT BLACK OR MATT WHITE
COLOUR TEMP	2700K 3000K 4000K 5000K 5700K (FIVE-COLOUR)
LUMEN OUTPUT	SEE PRODUCT ORDERING TABLE
INPUT VOLTAGE	240V (REMOTE DRIVER)
BUILT IN LED	6W 9W 13W 17W
DIMMING	TRIAC OR DALI
CRI	90+
BEAM ANGLE	60°
TILT	FIXED - NO TILT
CUT OUT	90MM
IC4-RATING	YES
IP RATING	IP44



OPTIONAL REFLECTORS		
	HCP-80090-15	15° REFLECTOR
	HCP-80090-28	28° REFLECTOR
	HCP-80090-40	40° REFLECTOR

OPTIONAL HONEYCOMB LENS	
	HCP-80090-HC

OTHER DATA



DIMMABLE DOWNLIGHTS

PRODUCT ORDERING


6 WATT ALUMINIUM BLACK					
	HCP-81220506 TRIAC DIMMABLE	6W LED	2700K 3000K 4000K 5000K 5700K	274LM 279LM 300LM 318LM 325LM	
6 WATT ALUMINIUM WHITE					
	HCP-81320506 TRIAC DIMMABLE	6W LED	2700K 3000K 4000K 5000K 5700K	274LM 279LM 300LM 318LM 325LM	
9 WATT ALUMINIUM BLACK					
	HCP-81220509 TRIAC DIMMABLE	9W LED	2700K 3000K 4000K 5000K 5700K	647LM 653LM 734LM 750LM 769LM	
	HCP-81240509 DALI DIMMABLE				
9 WATT ALUMINIUM WHITE					
	HCP-81320509 TRIAC DIMMABLE	9W LED	2700K 3000K 4000K 5000K 5700K	647LM 653LM 734LM 750LM 769LM	
	HCP-81340509 DALI DIMMABLE				
13 WATT ALUMINIUM BLACK					
	HCP-81220513 TRIAC DIMMABLE	13W LED	2700K 3000K 4000K 5000K 5700K	980LM 965LM 959LM 1072LM 1089LM	
	HCP-81240513 DALI DIMMABLE				
13 WATT ALUMINIUM WHITE					
	HCP-81320513 TRIAC DIMMABLE	13W LED	2700K 3000K 4000K 5000K 5700K	980LM 965LM 959LM 1072LM 1089LM	
	HCP-81340513 DALI DIMMABLE				
17 WATT ALUMINIUM BLACK					
	HCP-81220517 TRIAC DIMMABLE	17W LED	2700K 3000K 4000K 5000K 5700K	1191LM 1202LM 1297LM 1365LM 1397LM	
	HCP-81240517 DALI DIMMABLE				
17 WATT ALUMINIUM WHITE					
	HCP-81320517 TRIAC DIMMABLE	17W LED	2700K 3000K 4000K 5000K 5700K	1191LM 1202LM 1297LM 1365LM 1397LM	
	HCP-81340517 DALI DIMMABLE				

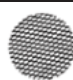


PRODUCT DATA

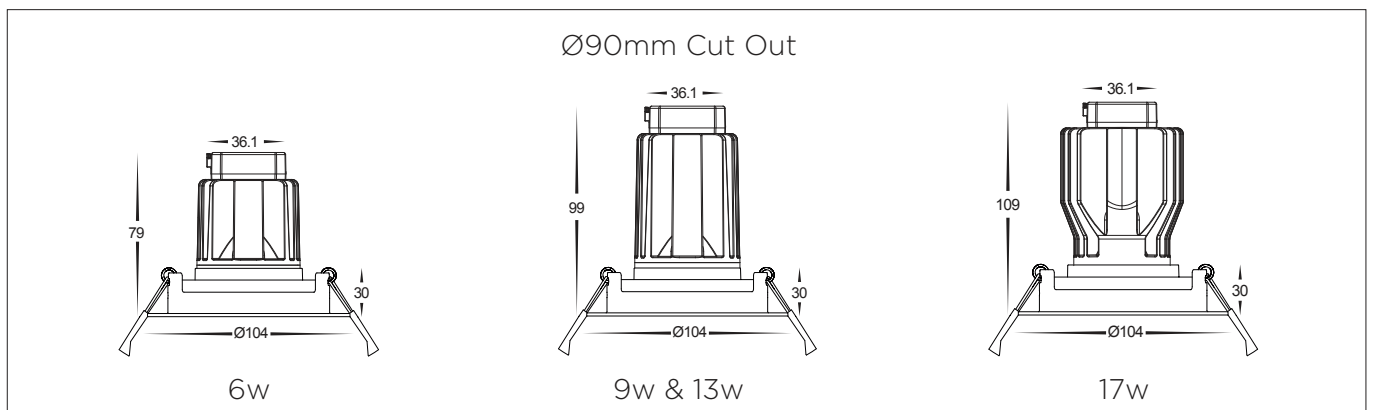
FIVE-COLOUR DIMMABLE DOWNLIGHTS	
MATERIAL	ALUMINIUM
COLOUR/FINISH	MATT BLACK OR MATT WHITE
COLOUR TEMP	2700K 3000K 4000K 5000K 5700K (FIVE-COLOUR)
LUMEN OUTPUT	SEE PRODUCT ORDERING TABLE
INPUT VOLTAGE	240V (REMOTE DRIVER)
BUILT IN LED	6W 9W 13W 17W
DIMMING	TRIAC OR DALI
CRI	90+
BEAM ANGLE	60°
TILT	20°
CUT OUT	90MM
IC4-RATING	YES
IP RATING	IP44



OPTIONAL REFLECTORS		
	HCP-80090-15	15° REFLECTOR
	HCP-80090-28	28° REFLECTOR
	HCP-80090-40	40° REFLECTOR

OPTIONAL HONEYCOMB LENS	
	HCP-80090-HC

OTHER DATA



DIMMABLE DOWNLIGHTS

PRODUCT ORDERING


6 WATT ALUMINIUM BLACK					
	HCP-81220606 TRIAC DIMMABLE	6W LED	2700K 3000K 4000K 5000K 5700K	274LM 279LM 300LM 318LM 325LM	
6 WATT ALUMINIUM WHITE					
	HCP-81320606 TRIAC DIMMABLE	6W LED	2700K 3000K 4000K 5000K 5700K	274LM 279LM 300LM 318LM 325LM	
9 WATT ALUMINIUM BLACK					
	HCP-81220609 TRIAC DIMMABLE	9W LED	2700K 3000K 4000K 5000K 5700K	647LM 653LM 734LM 750LM 769LM	
	HCP-81240609 DALI DIMMABLE			647LM 653LM 734LM 750LM 769LM	
9 WATT ALUMINIUM WHITE					
	HCP-81320609 TRIAC DIMMABLE	9W LED	2700K 3000K 4000K 5000K 5700K	647LM 653LM 734LM 750LM 769LM	
	HCP-81340609 DALI DIMMABLE			647LM 653LM 734LM 750LM 769LM	
13 WATT ALUMINIUM BLACK					
	HCP-81220613 TRIAC DIMMABLE	13W LED	2700K 3000K 4000K 5000K 5700K	980LM 965LM 959LM 1072LM 1089LM	
	HCP-81240613 DALI DIMMABLE			980LM 965LM 959LM 1072LM 1089LM	
13 WATT ALUMINIUM WHITE					
	HCP-81320613 TRIAC DIMMABLE	13W LED	2700K 3000K 4000K 5000K 5700K	980LM 965LM 959LM 1072LM 1089LM	
	HCP-81340613 DALI DIMMABLE			980LM 965LM 959LM 1072LM 1089LM	
17 WATT ALUMINIUM BLACK					
	HCP-81220617 TRIAC DIMMABLE	17W LED	2700K 3000K 4000K 5000K 5700K	1191LM 1202LM 1297LM 1365LM 1397LM	
	HCP-81240617 DALI DIMMABLE			1191LM 1202LM 1297LM 1365LM 1397LM	
17 WATT ALUMINIUM WHITE					
	HCP-81320617 TRIAC DIMMABLE	17W LED	2700K 3000K 4000K 5000K 5700K	1191LM 1202LM 1297LM 1365LM 1397LM	
	HCP-81340617 DALI DIMMABLE			1191LM 1202LM 1297LM 1365LM 1397LM	

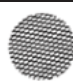


PRODUCT DATA

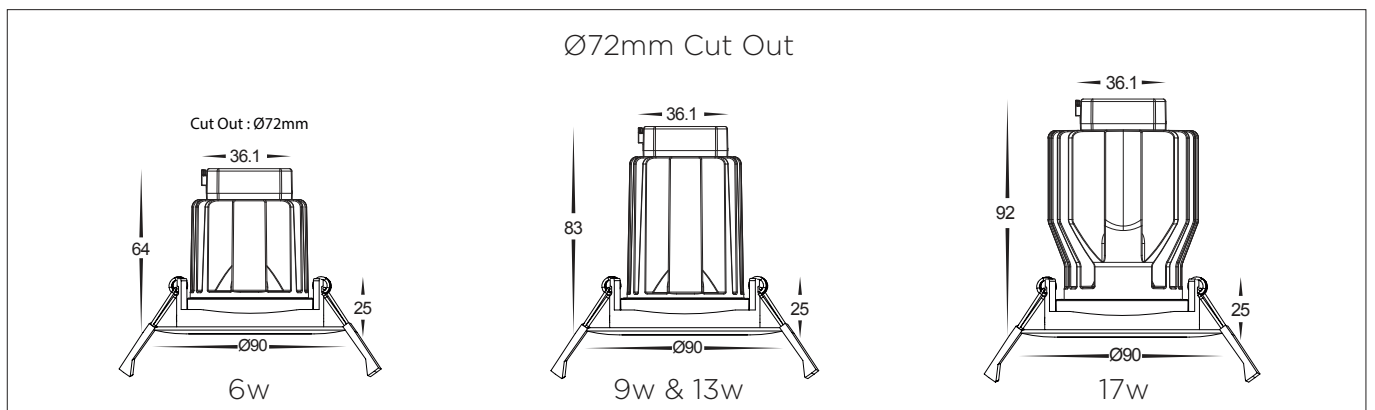
FIVE-COLOUR DIMMABLE DOWNLIGHTS	
MATERIAL	ALUMINIUM
COLOUR/FINISH	MATT BLACK OR MATT WHITE
COLOUR TEMP	2700K 3000K 4000K 5000K 5700K (FIVE-COLOUR)
LUMEN OUTPUT	SEE PRODUCT ORDERING TABLE
INPUT VOLTAGE	240V (REMOTE DRIVER)
BUILT IN LED	6W 9W 13W 17W
DIMMING	TRIAC OR DALI
CRI	90+
BEAM ANGLE	60°
TILT	20°
CUT OUT	72MM
IC4-RATING	YES
IP RATING	IP44



OPTIONAL REFLECTORS		
	HCP-80090-15	15° REFLECTOR
	HCP-80090-28	28° REFLECTOR
	HCP-80090-40	40° REFLECTOR

OPTIONAL HONEYCOMB LENS	
	HCP-80090-HC

OTHER DATA



DIMMABLE DOWNLIGHTS

PRODUCT ORDERING

6 WATT ALUMINIUM BLACK					
	HCP-81220706 TRIAC DIMMABLE	6W LED	2700K 3000K 4000K 5000K 5700K	274LM 279LM 300LM 318LM 325LM	
6 WATT ALUMINIUM WHITE					
	HCP-81320706 TRIAC DIMMABLE	6W LED	2700K 3000K 4000K 5000K 5700K	274LM 279LM 300LM 318LM 325LM	
9 WATT ALUMINIUM BLACK					
	HCP-81220709 TRIAC DIMMABLE	9W LED	2700K 3000K 4000K 5000K 5700K	647LM 653LM 734LM 750LM 769LM	
	HCP-81240709 DALI DIMMABLE				
9 WATT ALUMINIUM WHITE					
	HCP-81320709 TRIAC DIMMABLE	9W LED	2700K 3000K 4000K 5000K 5700K	647LM 653LM 734LM 750LM 769LM	
	HCP-81340709 DALI DIMMABLE				
13 WATT ALUMINIUM BLACK					
	HCP-81220713 TRIAC DIMMABLE	13W LED	2700K 3000K 4000K 5000K 5700K	980LM 965LM 959LM 1072LM 1089LM	
	HCP-81240713 DALI DIMMABLE				
13 WATT ALUMINIUM WHITE					
	HCP-81320713 TRIAC DIMMABLE	13W LED	2700K 3000K 4000K 5000K 5700K	980LM 965LM 959LM 1072LM 1089LM	
	HCP-81340713 DALI DIMMABLE				
17 WATT ALUMINIUM BLACK					
	HCP-81220717 TRIAC DIMMABLE	17W LED	2700K 3000K 4000K 5000K 5700K	1191LM 1202LM 1297LM 1365LM 1397LM	
	HCP-81240717 DALI DIMMABLE				
17 WATT ALUMINIUM WHITE					
	HCP-81320717 TRIAC DIMMABLE	17W LED	2700K 3000K 4000K 5000K 5700K	1191LM 1202LM 1297LM 1365LM 1397LM	
	HCP-81340717 DALI DIMMABLE				

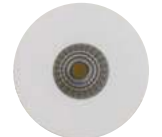


PRODUCT DATA


FIVE-COLOUR DIMMABLE DOWNLIGHTS	
MATERIAL	ALUMINIUM
COLOUR/FINISH	MATT BLACK OR MATT WHITE
COLOUR TEMP	2700K 3000K 4000K 5000K 5700K (FIVE-COLOUR)
LUMEN OUTPUT	SEE PRODUCT ORDERING TABLE
INPUT VOLTAGE	240V (REMOTE DRIVER)
BUILT IN LED	6W 9W 13W 17W
DIMMING	TRIAC OR DALI
CRI	90+
BEAM ANGLE	60°
TILT	FIXED - NO TILT
CUT OUT	72MM
IC4-RATING	YES
IP RATING	IP44

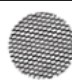


FIVE COLOUR

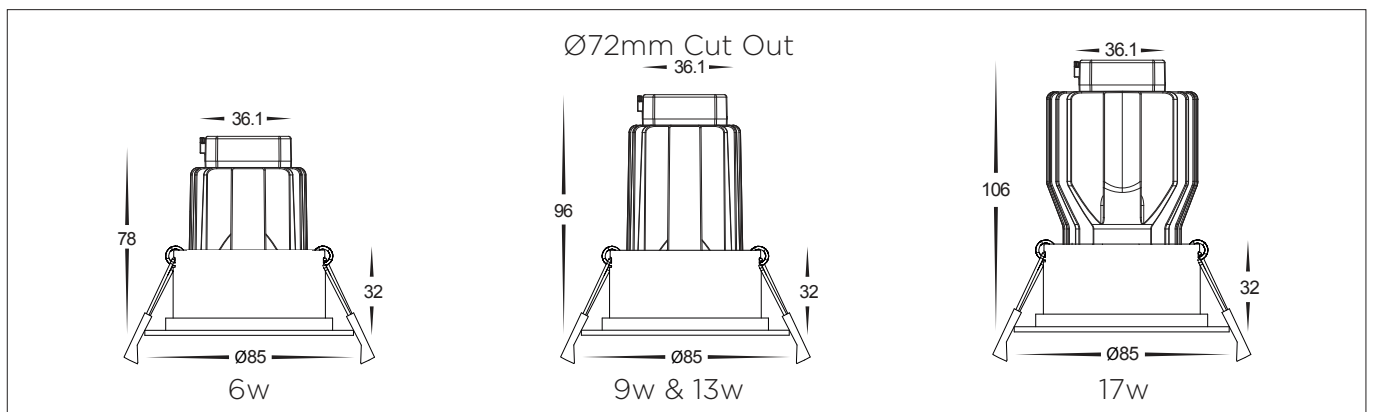


Switch on back of Module for Colour Temperature selection

OPTIONAL REFLECTORS		
	HCP-80090-15	15° REFLECTOR
	HCP-80090-28	28° REFLECTOR
	HCP-80090-40	40° REFLECTOR

OPTIONAL HONEYCOMB LENS	
	HCP-80090-HC

OTHER DATA



DIMMABLE DOWNLIGHTS

PRODUCT ORDERING

6 WATT ALUMINIUM BLACK					
	HCP-81220806 TRIAC DIMMABLE	6W LED	2700K 3000K 4000K 5000K 5700K	274LM 279LM 300LM 318LM 325LM	
6 WATT ALUMINIUM WHITE					
	HCP-81320806 TRIAC DIMMABLE	6W LED	2700K 3000K 4000K 5000K 5700K	274LM 279LM 300LM 318LM 325LM	
9 WATT ALUMINIUM BLACK					
	HCP-81220809 TRIAC DIMMABLE	9W LED	2700K 3000K 4000K 5000K 5700K	647LM 653LM 734LM 750LM 769LM	
	HCP-81240809 DALI DIMMABLE				
9 WATT ALUMINIUM WHITE					
	HCP-81320809 TRIAC DIMMABLE	9W LED	2700K 3000K 4000K 5000K 5700K	647LM 653LM 734LM 750LM 769LM	
	HCP-81340809 DALI DIMMABLE				
13 WATT ALUMINIUM BLACK					
	HCP-81220813 TRIAC DIMMABLE	13W LED	2700K 3000K 4000K 5000K 5700K	980LM 965LM 959LM 1072LM 1089LM	
	HCP-81240813 DALI DIMMABLE				
13 WATT ALUMINIUM WHITE					
	HCP-81320813 TRIAC DIMMABLE	13W LED	2700K 3000K 4000K 5000K 5700K	980LM 965LM 959LM 1072LM 1089LM	
	HCP-81340813 DALI DIMMABLE				
17 WATT ALUMINIUM BLACK					
	HCP-81220817 TRIAC DIMMABLE	17W LED	2700K 3000K 4000K 5000K 5700K	1191LM 1202LM 1297LM 1365LM 1397LM	
	HCP-81240817 DALI DIMMABLE				
17 WATT ALUMINIUM WHITE					
	HCP-813220817 TRIAC DIMMABLE	17W LED	2700K 3000K 4000K 5000K 5700K	1191LM 1202LM 1297LM 1365LM 1397LM	
	HCP-81340817 DALI DIMMABLE				



PRODUCT DATA

FIVE-COLOUR DIMMABLE DOWNLIGHTS	
MATERIAL	ALUMINIUM
COLOUR/FINISH	MATT BLACK OR MATT WHITE
COLOUR TEMP	2700K 3000K 4000K 5000K 5700K (FIVE-COLOUR)
LUMEN OUTPUT	SEE PRODUCT ORDERING TABLE
INPUT VOLTAGE	240V (REMOTE DRIVER)
BUILT IN LED	6W 9W 13W 17W
DIMMING	TRIAC OR DALI
CRI	90+
BEAM ANGLE	60°
TILT	20°
CUT OUT	92MM
IC4-RATING	YES
IP RATING	IP44



FIVE COLOUR

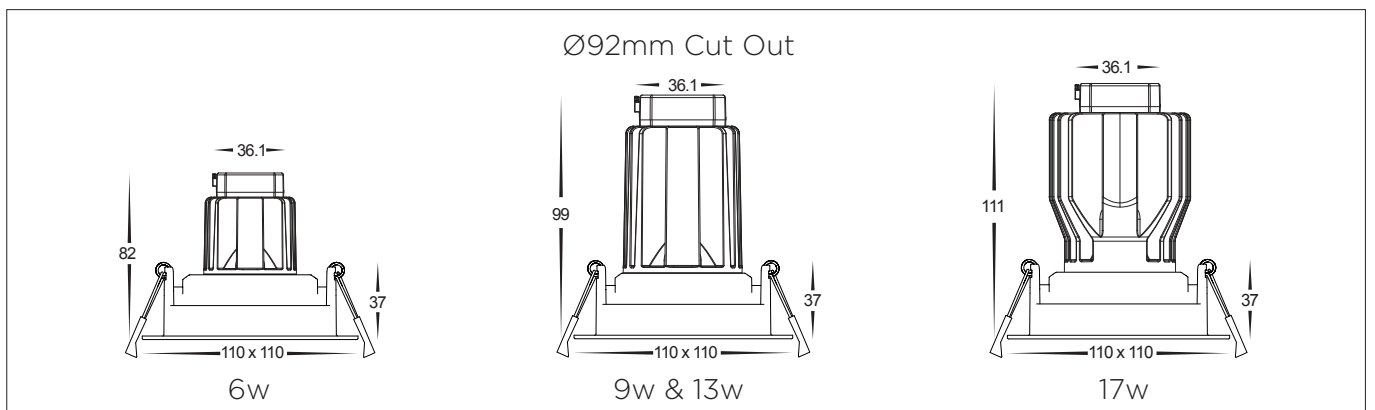


Switch on back of Module for Colour Temperature selection

OPTIONAL REFLECTORS		
	HCP-80090-15	15° REFLECTOR
	HCP-80090-28	28° REFLECTOR
	HCP-80090-40	40° REFLECTOR

OPTIONAL HONEYCOMB LENS	
	HCP-80090-HC

OTHER DATA



DIMMABLE DOWNLIGHTS

PRODUCT ORDERING

6 WATT ALUMINIUM BLACK					
	HCP-81220906 TRIAC DIMMABLE	6W LED	2700K 3000K 4000K 5000K 5700K	274LM 279LM 300LM 318LM 325LM	
6 WATT ALUMINIUM WHITE					
	HCP-81320906 TRIAC DIMMABLE	6W LED	2700K 3000K 4000K 5000K 5700K	274LM 279LM 300LM 318LM 325LM	
9 WATT ALUMINIUM BLACK					
	HCP-81220909 TRIAC DIMMABLE	9W LED	2700K 3000K 4000K 5000K 5700K	647LM 653LM 734LM 750LM 769LM	
	HCP-81240909 DALI DIMMABLE				
9 WATT ALUMINIUM WHITE					
	HCP-81320909 TRIAC DIMMABLE	9W LED	2700K 3000K 4000K 5000K 5700K	647LM 653LM 734LM 750LM 769LM	
	HCP-81340909 DALI DIMMABLE				
13 WATT ALUMINIUM BLACK					
	HCP-81220913 TRIAC DIMMABLE	13W LED	2700K 3000K 4000K 5000K 5700K	980LM 965LM 959LM 1072LM 1089LM	
	HCP-81240913 DALI DIMMABLE				
13 WATT ALUMINIUM WHITE					
	HCP-81320913 TRIAC DIMMABLE	13W LED	2700K 3000K 4000K 5000K 5700K	980LM 965LM 959LM 1072LM 1089LM	
	HCP-81340913 DALI DIMMABLE				
17 WATT ALUMINIUM BLACK					
	HCP-81220917 TRIAC DIMMABLE	17W LED	2700K 3000K 4000K 5000K 5700K	1191LM 1202LM 1297LM 1365LM 1397LM	
	HCP-81240917 DALI DIMMABLE				
17 WATT ALUMINIUM WHITE					
	HCP-81320917 TRIAC DIMMABLE	17W LED	2700K 3000K 4000K 5000K 5700K	1191LM 1202LM 1297LM 1365LM 1397LM	
	HCP-81340917 DALI DIMMABLE				



PRODUCT DATA

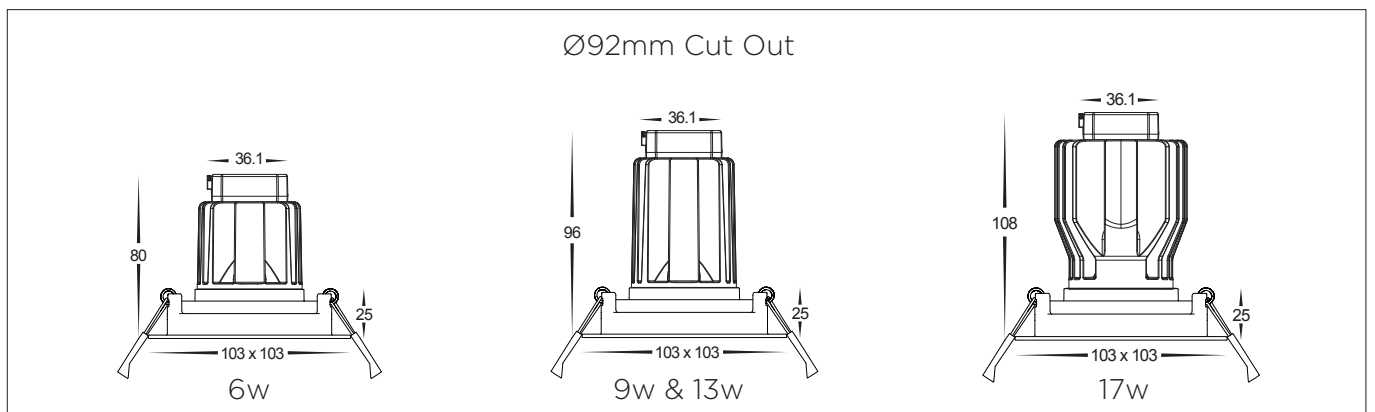
FIVE-COLOUR DIMMABLE DOWNLIGHTS	
MATERIAL	ALUMINIUM
COLOUR/FINISH	MATT BLACK OR MATT WHITE
COLOUR TEMP	2700K 3000K 4000K 5000K 5700K (FIVE-COLOUR)
LUMEN OUTPUT	SEE PRODUCT ORDERING TABLE
INPUT VOLTAGE	240V (REMOTE DRIVER)
BUILT IN LED	6W 9W 13W 17W
DIMMING	TRIAC OR DALI
CRI	90+
BEAM ANGLE	60°
TILT	20°
CUT OUT	92MM
IC4-RATING	YES
IP RATING	IP44



OPTIONAL REFLECTORS		
	HCP-80090-15	15° REFLECTOR
	HCP-80090-28	28° REFLECTOR
	HCP-80090-40	40° REFLECTOR

OPTIONAL HONEYCOMB LENS	
	HCP-80090-HC

OTHER DATA



DIMMABLE DOWNLIGHTS

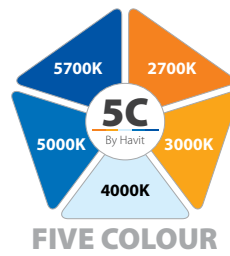
PRODUCT ORDERING

6 WATT ALUMINIUM BLACK					
	HCP-81221006 TRIAC DIMMABLE	6W LED	2700K 3000K 4000K 5000K 5700K	274LM 279LM 300LM 318LM 325LM	
6 WATT ALUMINIUM WHITE					
	HCP-81321006 TRIAC DIMMABLE	6W LED	2700K 3000K 4000K 5000K 5700K	274LM 279LM 300LM 318LM 325LM	
9 WATT ALUMINIUM BLACK					
	HCP-81221009 TRIAC DIMMABLE HCP-81241009 DALI DIMMABLE	9W LED	2700K 3000K 4000K 5000K 5700K	647LM 653LM 734LM 750LM 769LM	
9 WATT ALUMINIUM WHITE					
	HCP-81321009 TRIAC DIMMABLE HCP-81341009 DALI DIMMABLE	9W LED	2700K 3000K 4000K 5000K 5700K	647LM 653LM 734LM 750LM 769LM	
13 WATT ALUMINIUM BLACK					
	HCP-81221013 TRIAC DIMMABLE HCP-81241013 DALI DIMMABLE	13W LED	2700K 3000K 4000K 5000K 5700K	980LM 965LM 959LM 1072LM 1089LM	
13 WATT ALUMINIUM WHITE					
	HCP-81321013 TRIAC DIMMABLE HCP-81341013 DALI DIMMABLE	13W LED	2700K 3000K 4000K 5000K 5700K	980LM 965LM 959LM 1072LM 1089LM	
17 WATT ALUMINIUM BLACK					
	HCP-81221017 TRIAC DIMMABLE HCP-81241017 DALI DIMMABLE	17W LED	2700K 3000K 4000K 5000K 5700K	1191LM 1202LM 1297LM 1365LM 1397LM	
17 WATT ALUMINIUM WHITE					
	HCP-81321017 TRIAC DIMMABLE HCP-81341017 DALI DIMMABLE	17W LED	2700K 3000K 4000K 5000K 5700K	1191LM 1202LM 1297LM 1365LM 1397LM	



PRODUCT DATA

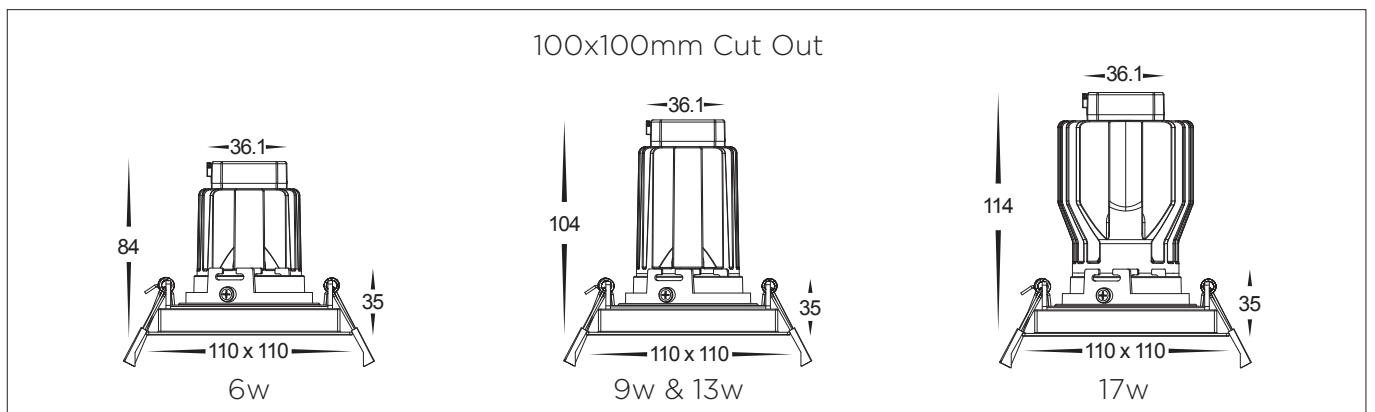
FIVE-COLOUR DIMMABLE DOWNLIGHTS	
MATERIAL	ALUMINIUM
COLOUR/FINISH	MATT BLACK OR MATT WHITE
COLOUR TEMP	2700K 3000K 4000K 5000K 5700K (FIVE-COLOUR)
LUMEN OUTPUT	SEE PRODUCT ORDERING TABLE
INPUT VOLTAGE	240V (REMOTE DRIVER)
BUILT IN LED	6W 9W 13W 17W
DIMMING	TRIAC OR DALI
CRI	90+
BEAM ANGLE	60°
TILT	20°
CUT OUT	100MM X 100MM
IC4-RATING	YES
IP RATING	IP44



OPTIONAL REFLECTORS		
	HCP-80090-15	15° REFLECTOR
	HCP-80090-28	28° REFLECTOR
	HCP-80090-40	40° REFLECTOR





OPTIONAL HONEYCOMB LENS	
	HCP-80090-HC

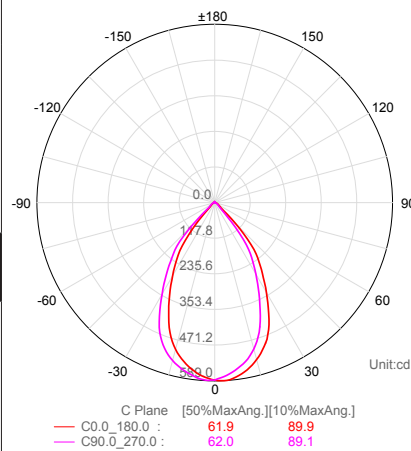
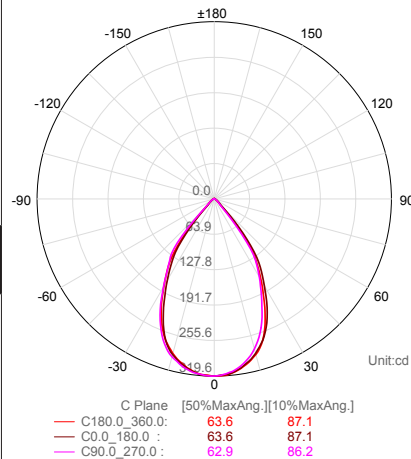
OTHER DATA



DIMMABLE DOWNLIGHTS

PRODUCT ORDERING

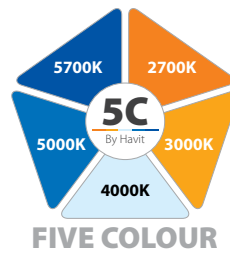
2x 6 WATT ALUMINIUM BLACK				
	HCP-81221106 TRIAC DIMMABLE	2x 6W LED	2700K 3000K 4000K 5000K 5700K	2x274LM 2x279LM 2x300LM 2x318LM 2x325LM
2x 6 WATT ALUMINIUM WHITE				
	HCP-81321106 TRIAC DIMMABLE	2x 6W LED	2700K 3000K 4000K 5000K 5700K	2x274LM 2x279LM 2x300LM 2x318LM 2x325LM
2x 9 WATT ALUMINIUM BLACK				
	HCP-81221109 TRIAC DIMMABLE	2x 9W LED	2700K 3000K 4000K 5000K 5700K	2x647LM 2x653LM 2x734LM 2x750LM 2x769LM
	HCP-81241109 DALI DIMMABLE			
2x 9 WATT ALUMINIUM WHITE				
	HCP-81321109 TRIAC DIMMABLE	2x 9W LED	2700K 3000K 4000K 5000K 5700K	2x647LM 2x653LM 2x734LM 2x750LM 2x769LM
	HCP-81341109 DALI DIMMABLE			





PRODUCT DATA

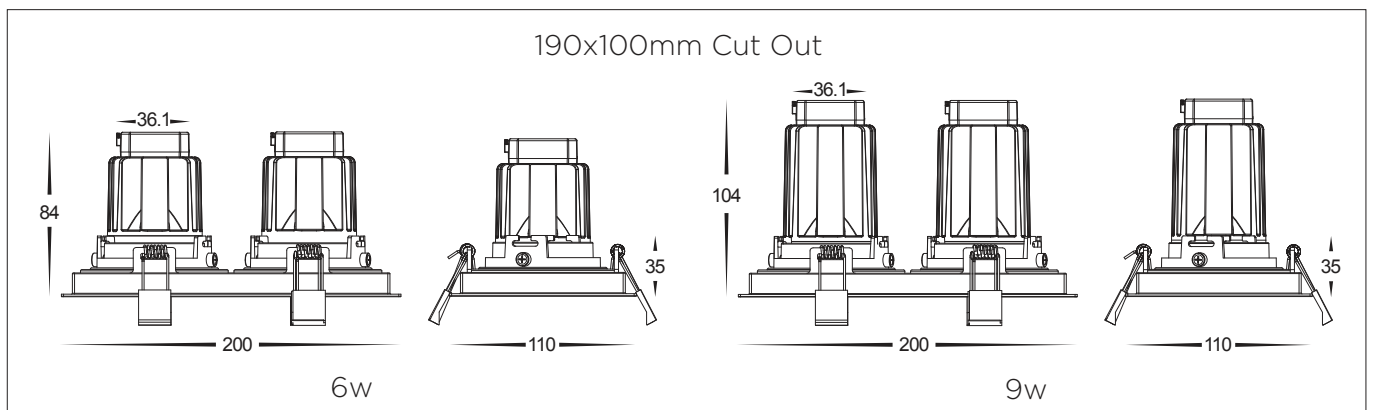
FIVE-COLOUR DIMMABLE DOWNLIGHTS	
MATERIAL	ALUMINIUM
COLOUR/FINISH	MATT BLACK OR MATT WHITE
COLOUR TEMP	2700K 3000K 4000K 5000K 5700K (FIVE-COLOUR)
LUMEN OUTPUT	SEE PRODUCT ORDERING TABLE
INPUT VOLTAGE	240V (REMOTE DRIVER)
BUILT IN LED	2X 6W 2X 9W
DIMMING	TRIAC OR DALI
CRI	90+
BEAM ANGLE	60°
TILT	20°
CUT OUT	190MM X 100MM
IC4-RATING	YES
IP RATING	IP44



OPTIONAL REFLECTORS		
	HCP-80090-15	15° REFLECTOR
	HCP-80090-28	28° REFLECTOR
	HCP-80090-40	40° REFLECTOR





OPTIONAL HONEYCOMB LENS	
	HCP-80090-HC

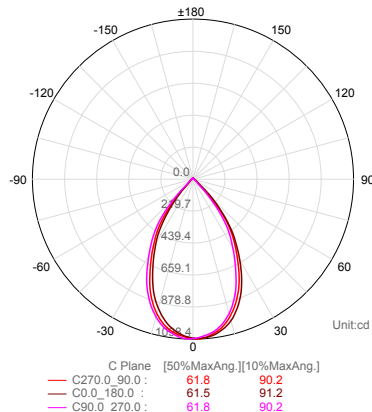
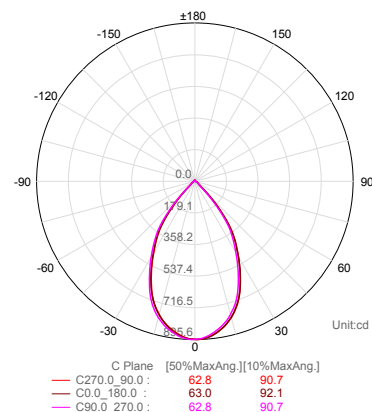
OTHER DATA



DIMMABLE DOWNLIGHTS

PRODUCT ORDERING

2x 13 WATT ALUMINIUM BLACK				
	HCP-81221113 TRIAC DIMMABLE	2x 13W LED	2700K 3000K 4000K 5000K 5700K	2x980LM 2x965LM 2x959LM 2x1072LM 2x1089LM
	HCP-81241113 DALI DIMMABLE			
2x 13 WATT ALUMINIUM WHITE				
	HCP-81321113 TRIAC DIMMABLE	2x 13W LED	2700K 3000K 4000K 5000K 5700K	2x980LM 2x965LM 2x959LM 2x1072LM 2x1089LM
	HCP-81341113 DALI DIMMABLE			
2x 17 WATT ALUMINIUM BLACK				
	HCP-81221117 TRIAC DIMMABLE	2x 17W LED	2700K 3000K 4000K 5000K 5700K	2x1191LM 2x1202LM 2x1297LM 2x1365LM 2x1397LM
	HCP-81241117 DALI DIMMABLE			
2x 17 WATT ALUMINIUM WHITE				
	HCP-81321117 TRIAC DIMMABLE	2x 17W LED	2700K 3000K 4000K 5000K 5700K	2x1191LM 2x1202LM 2x1297LM 2x1365LM 2x1397LM
	HCP-81341117 DALI DIMMABLE			





PRODUCT DATA

FIVE-COLOUR DIMMABLE DOWNLIGHTS	
MATERIAL	ALUMINIUM
COLOUR/FINISH	MATT BLACK OR MATT WHITE
COLOUR TEMP	2700K 3000K 4000K 5000K 5700K (FIVE-COLOUR)
LUMEN OUTPUT	SEE PRODUCT ORDERING TABLE
INPUT VOLTAGE	240V (REMOTE DRIVER)
BUILT IN LED	2X 13W 2X 17W
DIMMING	TRIAC OR DALI
CRI	90+
BEAM ANGLE	60°
TILT	20°
CUT OUT	190MM X 100MM
IC4-RATING	YES
IP RATING	IP44



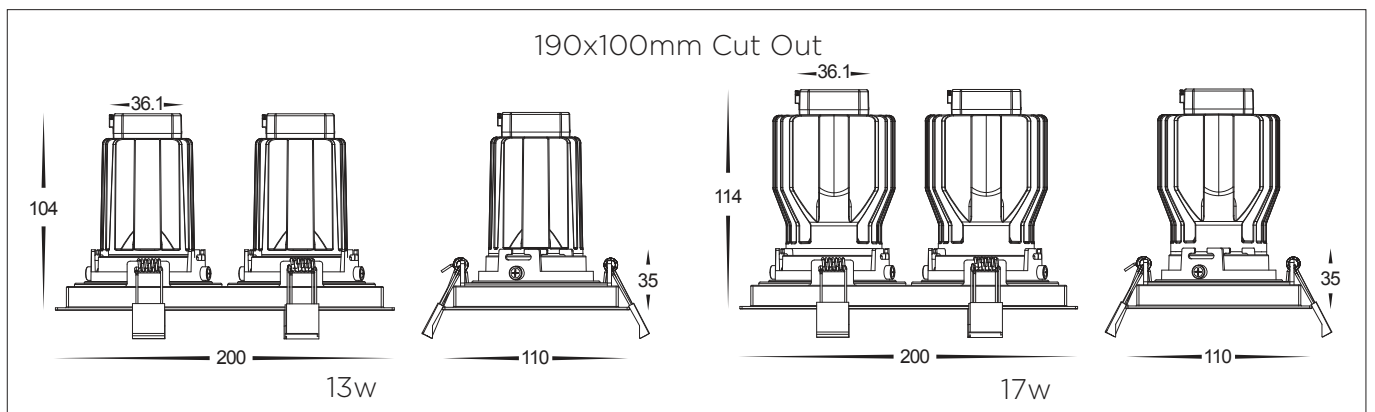
18

LED DOWNLIGHTS

OPTIONAL REFLECTORS		
	HCP-80090-15	15° REFLECTOR
	HCP-80090-28	28° REFLECTOR
	HCP-80090-40	40° REFLECTOR

OPTIONAL HONEYCOMB LENS	
	HCP-80090-HC

OTHER DATA



DIMMABLE DOWNLIGHTS

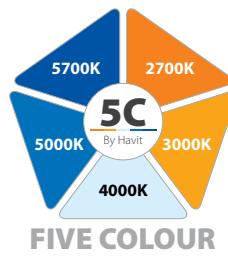
PRODUCT ORDERING

3x 6 WATT ALUMINIUM BLACK					
	HCP-81221206 TRIAC DIMMABLE	3x 6W LED	2700K 3000K 4000K 5000K 5700K	3x 274LM 3x 279LM 3x 300LM 3x 318LM 3x 325LM	
3x 6 WATT ALUMINIUM WHITE					
	HCP-81321206 TRIAC DIMMABLE	3x 6W LED	2700K 3000K 4000K 5000K 5700K	3x 274LM 3x 279LM 3x 300LM 3x 318LM 3x 325LM	
3x 9 WATT ALUMINIUM BLACK					
	HCP-81221209 TRIAC DIMMABLE	3x 9W LED	2700K 3000K 4000K 5000K 5700K	3x 647LM 3x 653LM 3x 734LM 3x 750LM 3x 769LM	
	HCP-81241209 DALI DIMMABLE				
3x 9 WATT ALUMINIUM WHITE					
	HCP-81321209 TRIAC DIMMABLE	3x 9W LED	2700K 3000K 4000K 5000K 5700K	3x 647LM 3x 653LM 3x 734LM 3x 750LM 3x 769LM	
	HCP-81341209 DALI DIMMABLE				



PRODUCT DATA

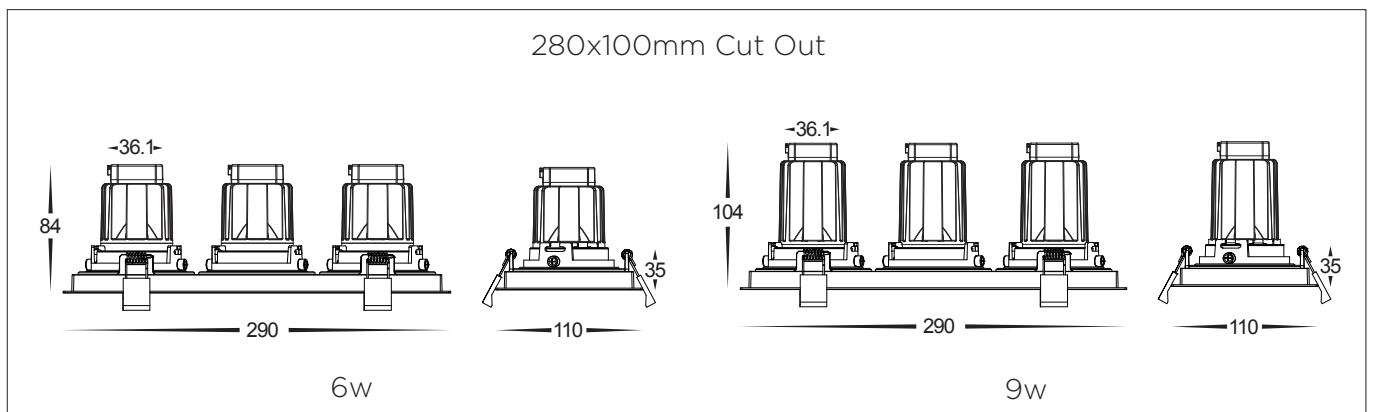
FIVE-COLOUR DIMMABLE DOWNLIGHTS	
MATERIAL	ALUMINIUM
COLOUR/FINISH	MATT BLACK OR MATT WHITE
COLOUR TEMP	2700K 3000K 4000K 5000K 5700K (FIVE-COLOUR)
LUMEN OUTPUT	SEE PRODUCT ORDERING TABLE
INPUT VOLTAGE	240V (REMOTE DRIVER)
BUILT IN LED	3X 6W 3X 9W
DIMMING	TRIAC OR DALI
CRI	90+
BEAM ANGLE	60°
TILT	20°
CUT OUT	280MM X 100MM
IC4-RATING	YES
IP RATING	IP44



OPTIONAL REFLECTORS		
	HCP-80090-15	15° REFLECTOR
	HCP-80090-28	28° REFLECTOR
	HCP-80090-40	40° REFLECTOR





OPTIONAL HONEYCOMB LENS	
	HCP-80090-HC

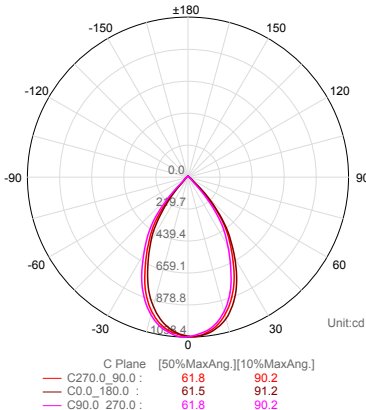
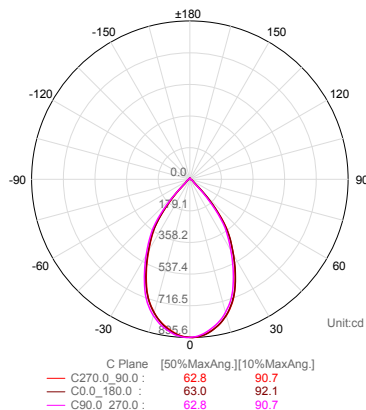
OTHER DATA



DIMMABLE DOWNLIGHTS

PRODUCT ORDERING

3x 13 WATT ALUMINIUM BLACK				
	HCP-81221213 TRIAC DIMMABLE	3x 13W LED	2700K 3000K 4000K 5000K 5700K	3x 980LM 3x 965LM 3x 959LM 3x 1072LM 3x 1089LM
	HCP-81241213 DALI DIMMABLE			
3x 13 WATT ALUMINIUM WHITE				
	HCP-81321213 TRIAC DIMMABLE	3x 13W LED	2700K 3000K 4000K 5000K 5700K	3x 980LM 3x 965LM 3x 959LM 3x 1072LM 3x 1089LM
	HCP-81341213 DALI DIMMABLE			
3x 17 WATT ALUMINIUM BLACK				
	HCP-81221217 TRIAC DIMMABLE	3x 17W LED	2700K 3000K 4000K 5000K 5700K	3x 1191LM 3x 1202LM 3x 1297LM 3x 1365LM 3x 1397LM
	HCP-81241217 DALI DIMMABLE			
3x 17 WATT ALUMINIUM WHITE				
	HCP-81321217 TRIAC DIMMABLE	3x 17W LED	2700K 3000K 4000K 5000K 5700K	3x 1191LM 3x 1202LM 3x 1297LM 3x 1365LM 3x 1397LM
	HCP-81341217 DALI DIMMABLE			



DIMMABLE DOWNLIGHTS



PRODUCT DATA

FIVE-COLOUR DIMMABLE DOWNLIGHTS	
MATERIAL	ALUMINIUM
COLOUR/FINISH	MATT BLACK OR MATT WHITE
COLOUR TEMP	2700K 3000K 4000K 5000K 5700K (FIVE-COLOUR)
LUMEN OUTPUT	SEE PRODUCT ORDERING TABLE
INPUT VOLTAGE	240V (REMOTE DRIVER)
BUILT IN LED	3X 13W 3X 17W
DIMMING	TRIAC OR DALI
CRI	90+
BEAM ANGLE	60°
TILT	20°
CUT OUT	280MM X 100MM
IC4-RATING	YES
IP RATING	IP44



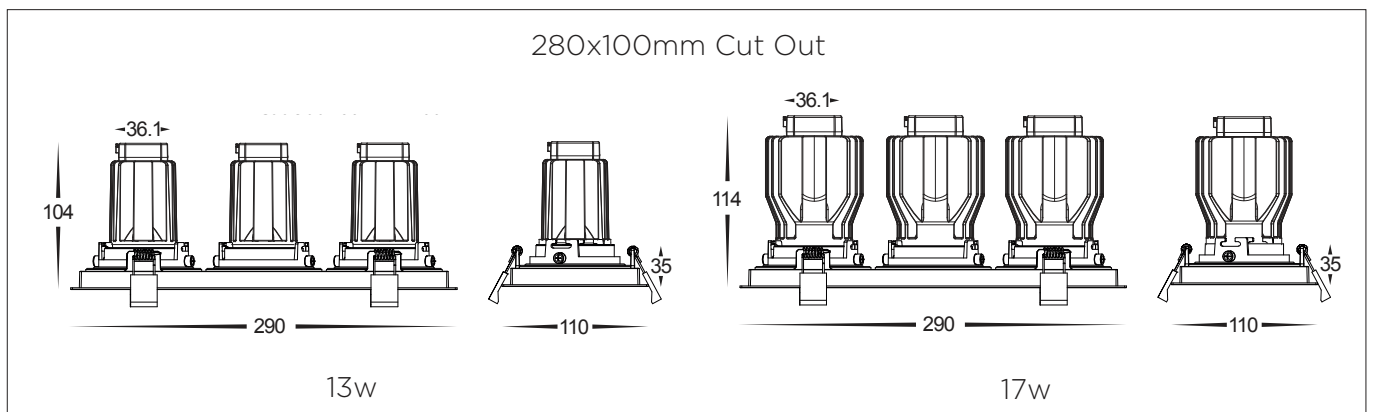
FIVE COLOUR



OPTIONAL REFLECTORS		
	HCP-80090-15	15° REFLECTOR
	HCP-80090-28	28° REFLECTOR
	HCP-80090-40	40° REFLECTOR

OPTIONAL HONEYCOMB LENS	
	HCP-80090-HC

OTHER DATA



DIMMABLE DOWNLIGHTS

PRODUCT ORDERING


6 WATT ALUMINIUM BLACK					
	HCP-81221306 TRIAC DIMMABLE	6W LED	2700K 3000K 4000K 5000K 5700K	274LM 279LM 300LM 318LM 325LM	
6 WATT ALUMINIUM WHITE					
	HCP-81321306 TRIAC DIMMABLE	6W LED	2700K 3000K 4000K 5000K 5700K	274LM 279LM 300LM 318LM 325LM	
9 WATT ALUMINIUM BLACK					
	HCP-81221309 TRIAC DIMMABLE	9W LED	2700K 3000K 4000K 5000K 5700K	647LM 653LM 734LM 750LM 769LM	
	HCP-81241309 DALI DIMMABLE				
9 WATT ALUMINIUM WHITE					
	HCP-81321309 TRIAC DIMMABLE	9W LED	2700K 3000K 4000K 5000K 5700K	647LM 653LM 734LM 750LM 769LM	
	HCP-81341309 DALI DIMMABLE				
13 WATT ALUMINIUM BLACK					
	HCP-81221313 TRIAC DIMMABLE	13W LED	2700K 3000K 4000K 5000K 5700K	980LM 965LM 959LM 1072LM 1089LM	
	HCP-81241313 DALI DIMMABLE				
13 WATT ALUMINIUM WHITE					
	HCP-81321313 TRIAC DIMMABLE	13W LED	2700K 3000K 4000K 5000K 5700K	980LM 965LM 959LM 1072LM 1089LM	
	HCP-81341313 DALI DIMMABLE				
17 WATT ALUMINIUM BLACK					
	HCP-81221317 TRIAC DIMMABLE	17W LED	2700K 3000K 4000K 5000K 5700K	1191LM 1202LM 1297LM 1365LM 1397LM	
	HCP-81241317 DALI DIMMABLE				
17 WATT ALUMINIUM WHITE					
	HCP-81321317 TRIAC DIMMABLE	17W LED	2700K 3000K 4000K 5000K 5700K	1191LM 1202LM 1297LM 1365LM 1397LM	
	HCP-81341317 DALI DIMMABLE				

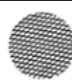


PRODUCT DATA

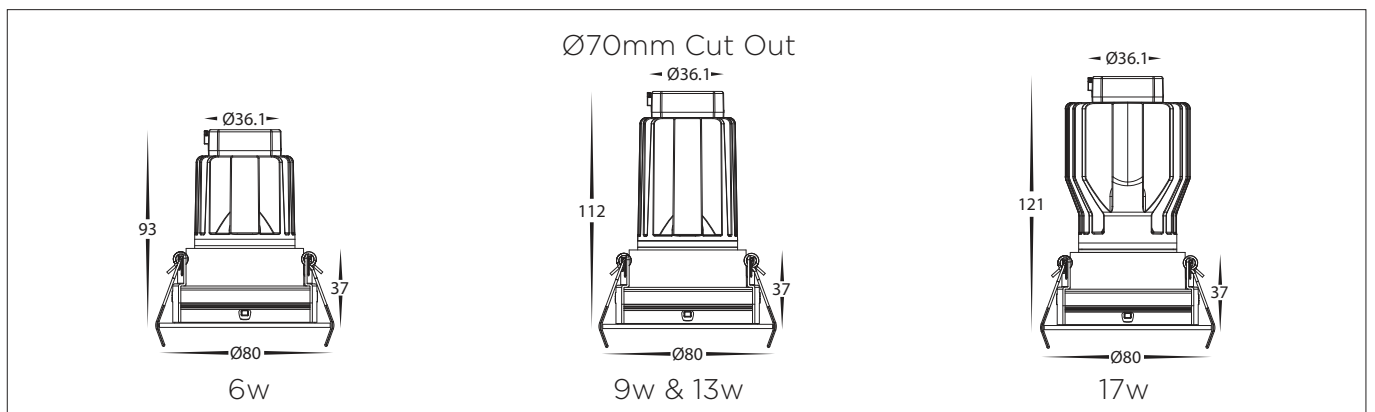
FIVE-COLOUR DIMMABLE DOWNLIGHTS	
MATERIAL	ALUMINIUM
COLOUR/FINISH	MATT BLACK OR MATT WHITE
COLOUR TEMP	2700K 3000K 4000K 5000K 5700K (FIVE-COLOUR)
LUMEN OUTPUT	SEE PRODUCT ORDERING TABLE
INPUT VOLTAGE	240V (REMOTE DRIVER)
BUILT IN LED	6W 9W 13W 17W
DIMMING	TRIAC OR DALI
CRI	90+
BEAM ANGLE	60°
TILT	NO
CUT OUT	70MM
IC4-RATING	YES
IP RATING	IP44



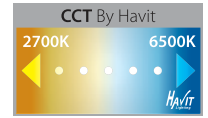
OPTIONAL REFLECTORS		
	HCP-80090-15	15° REFLECTOR
	HCP-80090-28	28° REFLECTOR
	HCP-80090-40	40° REFLECTOR

OPTIONAL HONEYCOMB LENS	
	HCP-80090-HC


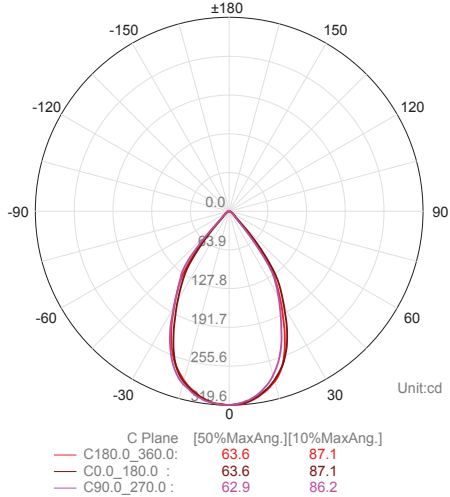





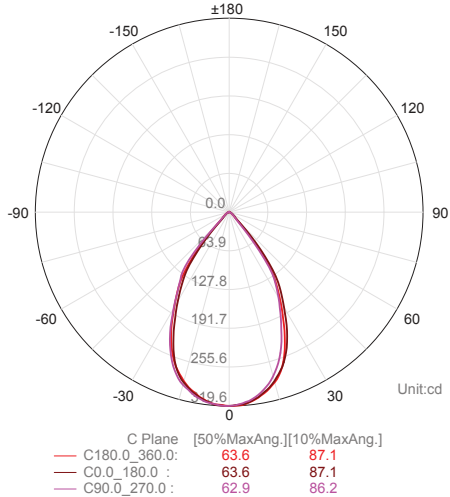




OTHER DATA



TUNABLE DOWNLIGHT



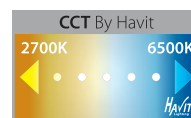
PRODUCT ORDERING


13 WATT ALUMINIUM BLACK					
	HCP-81250113	13W LED	2700K to 6500K	954LM to 1147LM	
	HCP-81250213	13W LED	2700K to 6500K	954LM to 1147LM	
	HCP-81250313	13W LED	2700K to 6500K	954LM to 1147LM	
	HCP-81250413	13W LED	2700K to 6500K	954LM to 1147LM	
	HCP-81251313	13W LED	2700K to 6500K	954LM to 1147LM	
13 WATT ALUMINIUM WHITE					
	HCP-81350113	13W LED	2700K to 6500K	954LM to 1147LM	
	HCP-81350213	13W LED	2700K to 6500K	954LM to 1147LM	
	HCP-81350313	13W LED	2700K to 6500K	954LM to 1147LM	
	HCP-81350413	13W LED	2700K to 6500K	954LM to 1147LM	
	HCP-81351313	13W LED	2700K to 6500K	954LM to 1147LM	

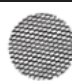


PRODUCT DATA

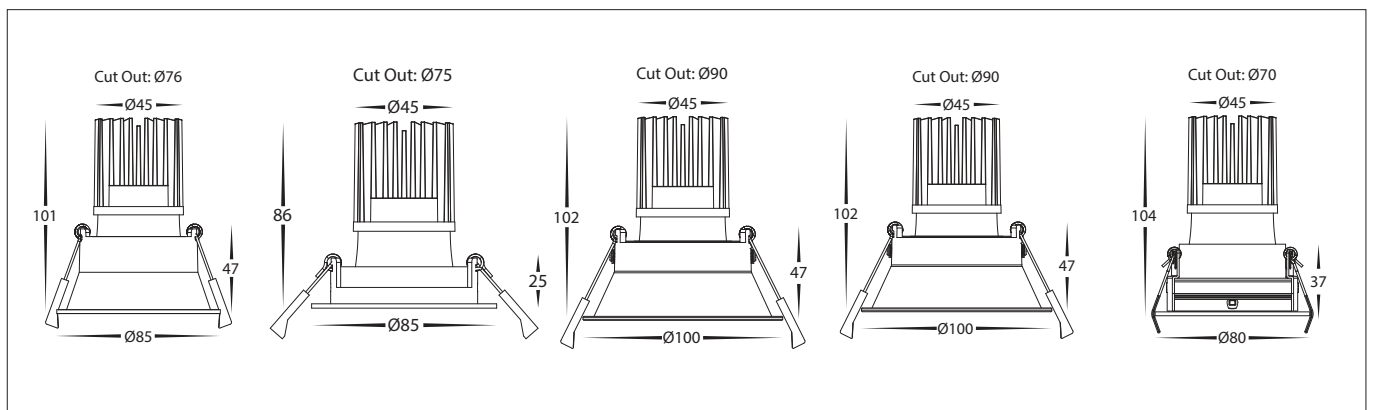
DALI TUNABLE DOWNLIGHTS	
MATERIAL	ALUMINIUM
COLOUR/FINISH	MATT BLACK OR MATT WHITE
COLOUR TEMP	2700K - 6500K (TUNABLE)
LUMEN OUTPUT	955LM-1024LM
INPUT VOLTAGE	240V AC (REMOTE DRIVER)
BUILT IN LED	13W
DIMMING	DALI
CRI	90+
BEAM ANGLE	60°
TILT	SEE IMAGE
CUT OUT	SEE LINE DRAWINGS
IC4-RATING	YES
IP RATING	IP44



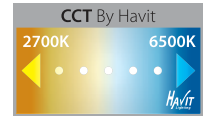
OPTIONAL REFLECTORS		
	HCP-80091-15	15° REFLECTOR
	HCP-80091-28	28° REFLECTOR
	HCP-80091-40	40° REFLECTOR

OPTIONAL HONEYCOMB LENS	
	HCP-80091-HC


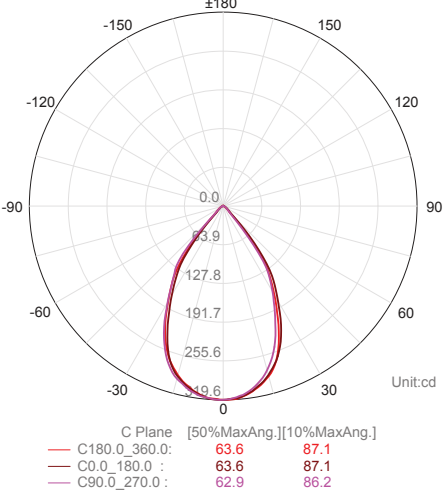





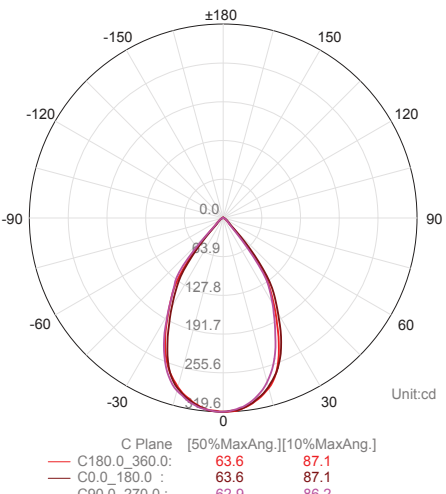




OTHER DATA



TUNABLE DOWNLIGHT



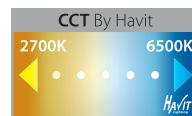
PRODUCT ORDERING

13 WATT ALUMINIUM BLACK					
	HCP-81250513	13W LED	2700K to 6500K	954LM to 1147LM	
	HCP-81250613	13W LED	2700K to 6500K	954LM to 1147LM	
	HCP-81250713	13W LED	2700K to 6500K	954LM to 1147LM	
	HCP-81250813	13W LED	2700K to 6500K	954LM to 1147LM	
	HCP-81250913	13W LED	2700K to 6500K	954LM to 1147LM	
13 WATT ALUMINIUM WHITE					
	HCP-81350513	13W LED	2700K to 6500K	954LM to 1147LM	
	HCP-81350613	13W LED	2700K to 6500K	954LM to 1147LM	
	HCP-81350713	13W LED	2700K to 6500K	954LM to 1147LM	
	HCP-81350813	13W LED	2700K to 6500K	954LM to 1147LM	
	HCP-81350913	13W LED	2700K to 6500K	954LM to 1147LM	



PRODUCT DATA

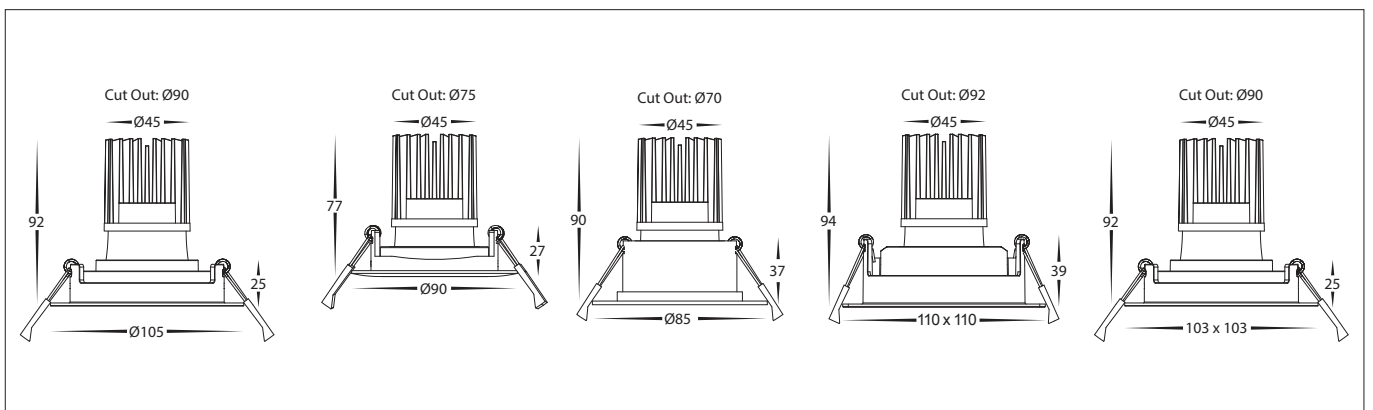
DALI TUNABLE DOWNLIGHTS	
MATERIAL	ALUMINIUM
COLOUR/FINISH	MATT BLACK OR MATT WHITE
COLOUR TEMP	2700K - 6500K (TUNABLE)
LUMEN OUTPUT	955LM-1024LM
INPUT VOLTAGE	240V AC (REMOTE DRIVER)
BUILT IN LED	13W
DIMMING	DALI
CRI	90+
BEAM ANGLE	60°
TILT	SEE IMAGE
CUT OUT	SEE LINE DRAWINGS
IC4-RATING	YES
IP RATING	IP44



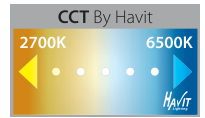
OPTIONAL REFLECTORS		
	HCP-80091-15	15° REFLECTOR
	HCP-80091-28	28° REFLECTOR
	HCP-80091-40	40° REFLECTOR

OPTIONAL HONEYCOMB LENS	
	HCP-80091-HC


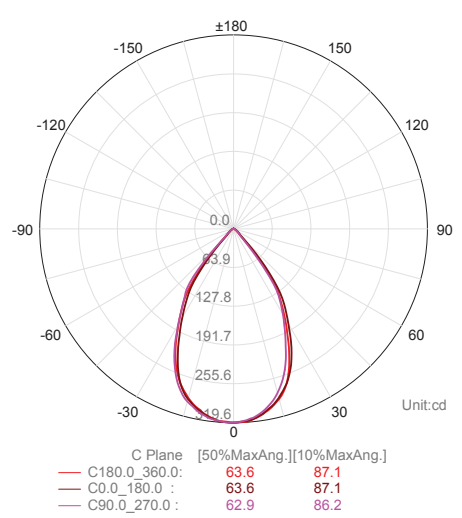



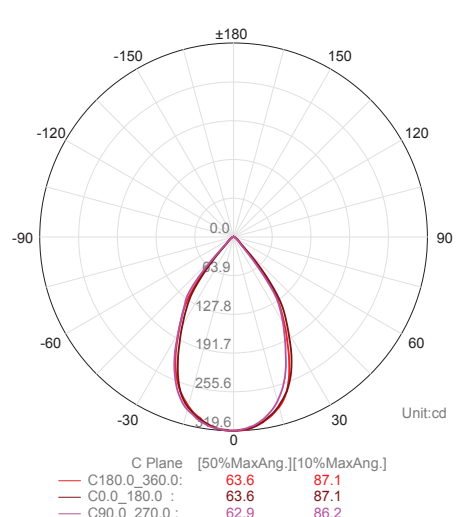


OTHER DATA



TUNABLE DOWNLIGHT



PRODUCT ORDERING


13 WATT ALUMINIUM BLACK																		
	HCP-81251013	13W LED	2700K to 6500K	954LM to 1147LM	 <table border="1"> <thead> <tr> <th colspan="2">C Plane</th> <th>[50%MaxAng.]</th> <th>[10%MaxAng.]</th> </tr> </thead> <tbody> <tr> <td>C180.0_360.0 :</td> <td>63.6</td> <td>87.1</td> </tr> <tr> <td>C0.0_180.0 :</td> <td>63.6</td> <td>87.1</td> </tr> <tr> <td>C90.0_270.0 :</td> <td>62.9</td> <td>86.2</td> </tr> </tbody> </table>	C Plane		[50%MaxAng.]	[10%MaxAng.]	C180.0_360.0 :	63.6	87.1	C0.0_180.0 :	63.6	87.1	C90.0_270.0 :	62.9	86.2
C Plane		[50%MaxAng.]	[10%MaxAng.]															
C180.0_360.0 :	63.6	87.1																
C0.0_180.0 :	63.6	87.1																
C90.0_270.0 :	62.9	86.2																
	HCP-81251113	13W LED	2700K to 6500K	954LM to 1147LM														
	HCP-81251213	13W LED	2700K to 6500K	954LM to 1147LM														
13 WATT ALUMINIUM WHITE																		
	HCP-81351013	13W LED	2700K to 6500K	954LM to 1147LM	 <table border="1"> <thead> <tr> <th colspan="2">C Plane</th> <th>[50%MaxAng.]</th> <th>[10%MaxAng.]</th> </tr> </thead> <tbody> <tr> <td>C180.0_360.0 :</td> <td>63.6</td> <td>87.1</td> </tr> <tr> <td>C0.0_180.0 :</td> <td>63.6</td> <td>87.1</td> </tr> <tr> <td>C90.0_270.0 :</td> <td>62.9</td> <td>86.2</td> </tr> </tbody> </table>	C Plane		[50%MaxAng.]	[10%MaxAng.]	C180.0_360.0 :	63.6	87.1	C0.0_180.0 :	63.6	87.1	C90.0_270.0 :	62.9	86.2
C Plane		[50%MaxAng.]	[10%MaxAng.]															
C180.0_360.0 :	63.6	87.1																
C0.0_180.0 :	63.6	87.1																
C90.0_270.0 :	62.9	86.2																
	HCP-81351113	13W LED	2700K to 6500K	954LM to 1147LM														
	HCP-81351213	13W LED	2700K to 6500K	954LM to 1147LM														

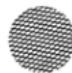


PRODUCT DATA

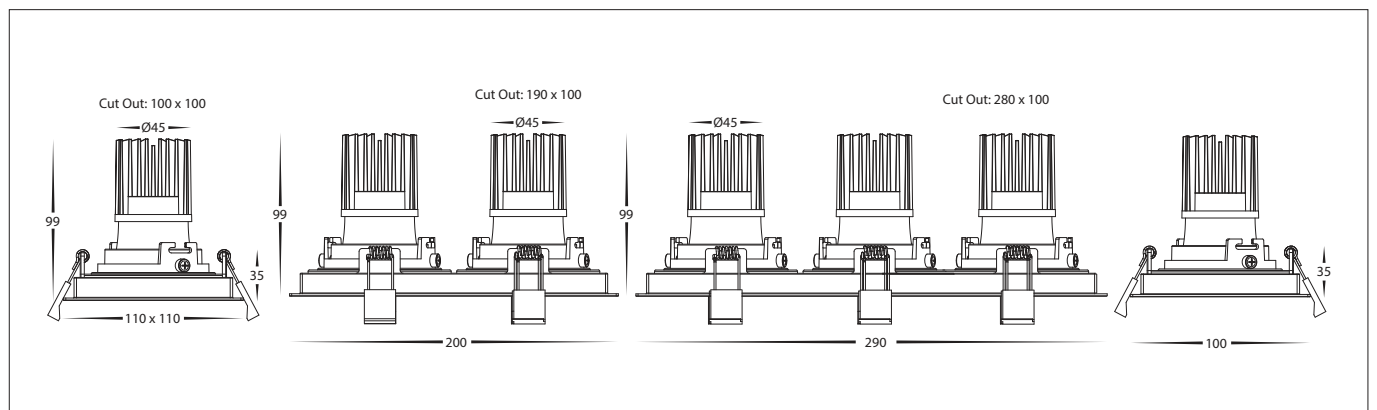
DALI TUNABLE DOWNLIGHTS	
MATERIAL	ALUMINIUM
COLOUR/FINISH	MATT BLACK OR MATT WHITE
COLOUR TEMP	2700K - 6500K (TUNABLE)
LUMEN OUTPUT	955LM-1024LM
INPUT VOLTAGE	240V AC (REMOTE DRIVER)
BUILT IN LED	13W
DIMMING	DALI
CRI	90+
BEAM ANGLE	60°
TILT	20°
CUT OUT	SEE LINE DRAWINGS
IC4-RATING	YES
IP RATING	IP44



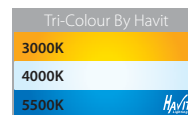
OPTIONAL REFLECTORS		
	HCP-80091-15	15° REFLECTOR
	HCP-80091-28	28° REFLECTOR
	HCP-80091-40	40° REFLECTOR

OPTIONAL HONEYCOMB LENS	
	HCP-80091-HC

OTHER DATA



12W DIMMABLE RECESSED DOWNLIGHTS



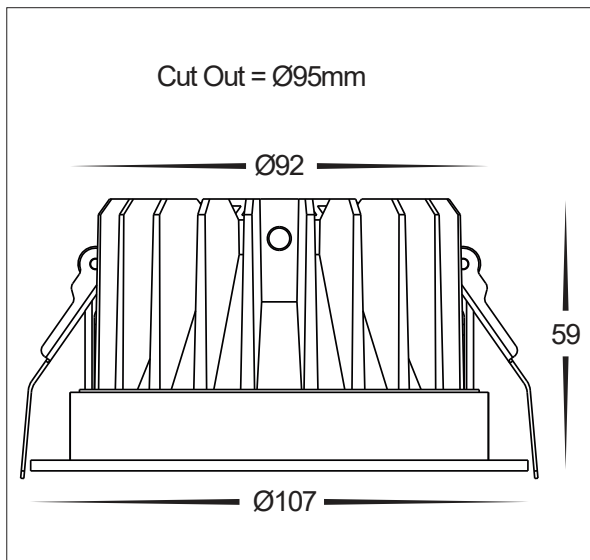
PRODUCT DATA

12W DIMMABLE DOWNLIGHTS	
MATERIAL	ALUMINIUM OR 316 STAINLESS STEEL
COLOUR/FINISH	MATT WHITE, MATT BLACK AND STAINLESS STEEL
COLOUR TEMP	3000K 4000K 5500K (TRI-COLOUR)
LUMEN OUTPUT	1100LM 1200LM 1150LM
INPUT VOLTAGE	240V (REMOTE DRIVER)
BUILT IN LED	12W
DIMMING	TRIAC OR DALI DIMMING
CRI	90+
BEAM ANGLE	60°
TILT	NO
CUT OUT	95MM
IC4-RATING	YES
IP RATING	IP65 - FITTING ONLY

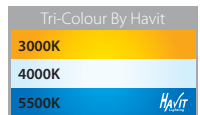
PRODUCT ORDERING

316 STAINLESS STEEL				
	HCP-81122112 (TRIAC DIMMABLE)	12W LED	3000K 4000K 5500K	1100LM 1200LM 1150LM
	HCP-81142112 (DALI DIMMABLE)			
ALUMINIUM BLACK				
	HCP-81222112 (TRIAC DIMMABLE)	12W LED	3000K 4000K 5500K	1100LM 1200LM 1150LM
	HCP-81242112 (DALI DIMMABLE)			
ALUMINIUM WHITE				
	HCP-81322112 (TRIAC DIMMABLE)	12W LED	3000K 4000K 5500K	1100LM 1200LM 1150LM
	HCP-81342112 (DALI DIMMABLE)			

OTHER DATA



18W DIMMABLE RECESSED DOWNLIGHTS



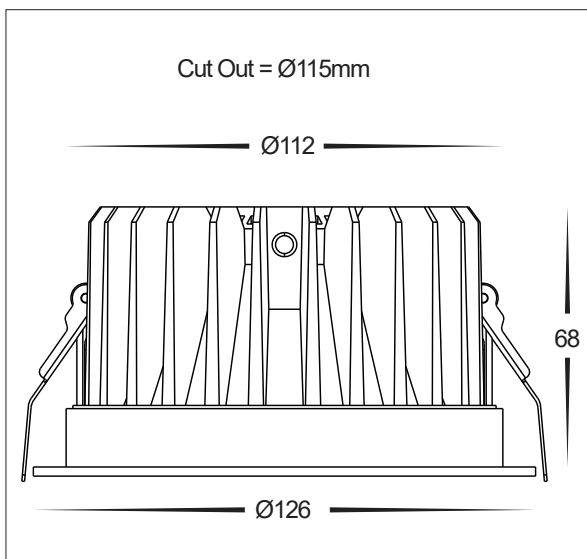
PRODUCT DATA

18W DIMMABLE DOWNLIGHTS	
MATERIAL	ALUMINIUM OR 316 STAINLESS STEEL
COLOUR/FINISH	MATT WHITE, MATT BLACK AND STAINLESS STEEL
COLOUR TEMP	3000K 4000K 5500K (TRI-COLOUR)
LUMEN OUTPUT	1700LM 1800LM 1750LM
INPUT VOLTAGE	240V (REMOTE DRIVER)
BUILT IN LED	18W
DIMMING	TRIAC OR DALI DIMMING
CRI	90+
BEAM ANGLE	60°
TILT	NO
CUT OUT	115MM
IC4-RATING	YES
IP RATING	IP65 - FITTING ONLY

PRODUCT ORDERING

316 STAINLESS STEEL				
	HCP-81122118 (TRIAC DIMMABLE)	18W LED	3000K 4000K 5500K	1700LM 1800LM 1750LM
	HCP-81142118 (DALI DIMMABLE)			
ALUMINIUM BLACK				
	HCP-81222118 (TRIAC DIMMABLE)	12W LED	3000K 4000K 5500K	1100LM 1200LM 1150LM
	HCP-81242118 (DALI DIMMABLE)			
ALUMINIUM WHITE				
	HCP-81322118 (TRIAC DIMMABLE)	18W LED	3000K 4000K 5500K	1700LM 1800LM 1750LM
	HCP-81342118 (DALI DIMMABLE)			

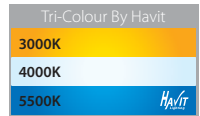
OTHER DATA



18

LED DOWNLIGHTS

28W DIMMABLE RECESSED DOWNLIGHTS



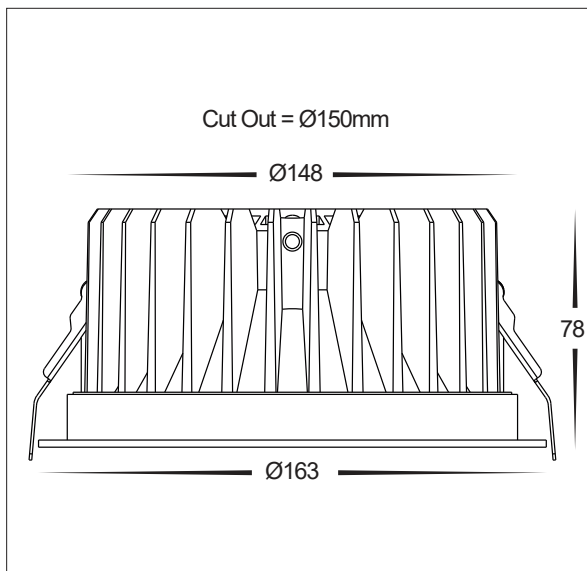
PRODUCT DATA

28W DIMMABLE DOWNLIGHTS	
MATERIAL	ALUMINIUM OR 316 STAINLESS STEEL
COLOUR/FINISH	MATT WHITE, MATT BLACK AND STAINLESS STEEL
COLOUR TEMP	3000K 4000K 5500K (TRI-COLOUR)
LUMEN OUTPUT	3100LM 3200LM 3150LM
INPUT VOLTAGE	240V (REMOTE DRIVER)
BUILT IN LED	28W
DIMMING	TRIAC OR DALI DIMMING
CRI	90+
BEAM ANGLE	60°
TILT	NO
CUT OUT	150MM
IC4-RATING	YES
IP RATING	IP65 - FITTING ONLY

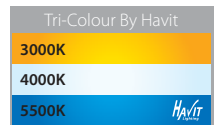
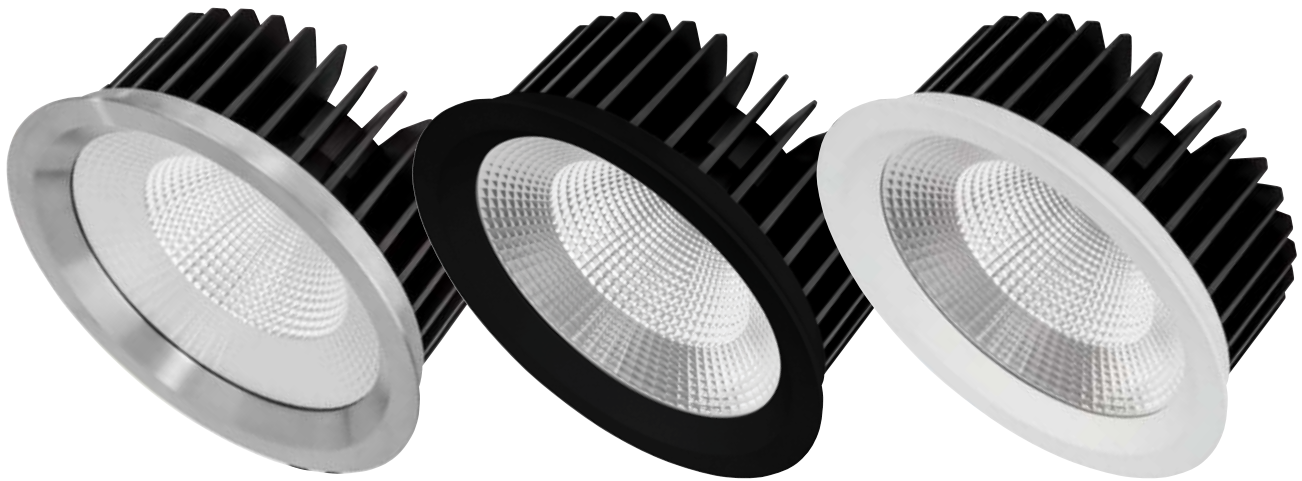
PRODUCT ORDERING

316 STAINLESS STEEL				
	HCP-81122128 (TRIAC DIMMABLE)	28W LED	3000K 4000K 5500K	3100LM 3200LM 3150LM
	HCP-81142128 (DALI DIMMABLE)			
ALUMINIUM BLACK				
	HCP-81222128 (TRIAC DIMMABLE)	28W LED	3000K 4000K 5500K	3100LM 3200LM 3150LM
	HCP-81242128 (DALI DIMMABLE)			
ALUMINIUM WHITE				
	HCP-81322128 (TRIAC DIMMABLE)	28W LED	3000K 4000K 5500K	3100LM 3200LM 3150LM
	HCP-81342128 (DALI DIMMABLE)			

OTHER DATA



38W DIMMABLE RECESSED DOWNLIGHTS



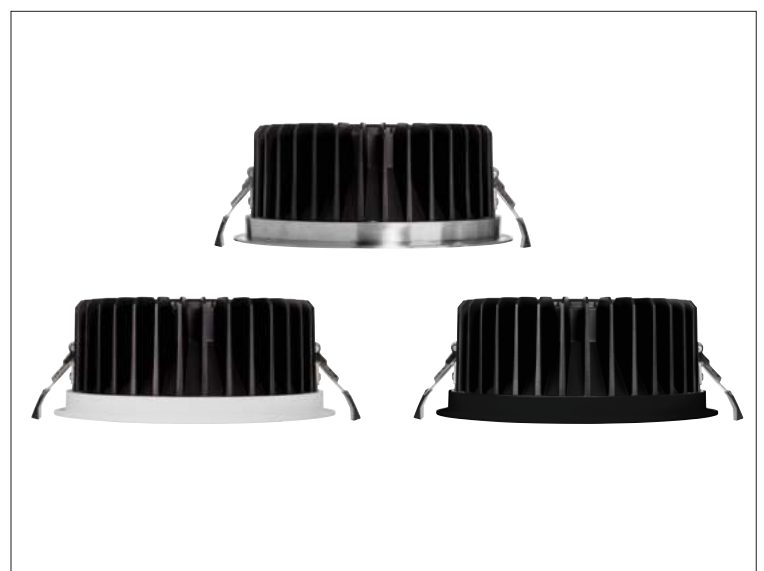
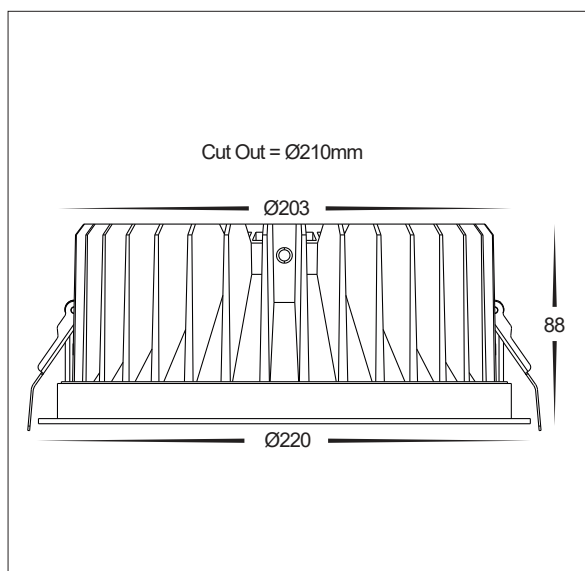
PRODUCT DATA

38W DIMMABLE DOWNLIGHTS	
MATERIAL	ALUMINIUM OR 316 STAINLESS STEEL
COLOUR/FINISH	MATT WHITE, MATT BLACK AND STAINLESS STEEL
COLOUR TEMP	3000K 4000K 5500K (TRI-COLOUR)
LUMEN OUTPUT	4100LM 4200LM 4150LM
INPUT VOLTAGE	240V (REMOTE DRIVER)
BUILT IN LED	38W
DIMMING	TRIAC OR DALI DIMMING
CRI	90+
BEAM ANGLE	60°
TILT	NO
CUT OUT	210MM
IC4-RATING	YES
IP RATING	IP65 - FITTING ONLY

PRODUCT ORDERING

316 STAINLESS STEEL				
	HCP-81122138 (TRIAC DIMMABLE)	38W LED	3000K 4000K 5500K	4100LM 4200LM 4150LM
	HCP-81142138 (DALI DIMMABLE)			
ALUMINIUM BLACK				
	HCP-81222138 (TRIAC DIMMABLE)	38W LED	3000K 4000K 5500K	4100LM 4200LM 4150LM
	HCP-81242138 (DALI DIMMABLE)			
ALUMINIUM WHITE				
	HCP-81322138 (TRIAC DIMMABLE)	38W LED	3000K 4000K 5500K	4100LM 4200LM 4150LM
	HCP-81342138 (DALI DIMMABLE)			

OTHER DATA



7W DIMMABLE RECESSED DOWNLIGHTS




PRODUCT DATA

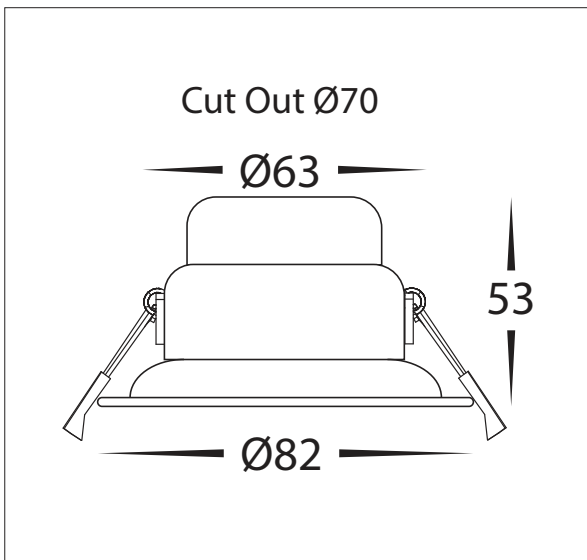
7W FIXED RECESSED DOWNLIGHTS	
MATERIAL	ALUMINIUM
COLOUR/FINISH	MATT BLACK OR MATT WHITE
COLOUR TEMP	2700K 3000K 4000K 5000K 5700K (5-COLOUR)
LUMEN OUTPUT	288LM 322LM 343LM 359LM 361LM
INPUT VOLTAGE	240V AC (REMOTE DRIVER)
BUILT IN LED	7W
DIMMING	TRIAC
CRI	90+
BEAM ANGLE	60°
TILT	NO
CUT OUT	70MM
IC4-RATING	YES
IP RATING	IP20



PRODUCT ORDERING

ALUMINIUM BLACK & WHITE				
	HCP-8150702	7W LED	2700K 3000K 4000K 5000K 5700K	288LM 322LM 343LM 359LM 361LM

OTHER DATA



12W DIMMABLE RECESSED DOWNLIGHTS





PRODUCT DATA

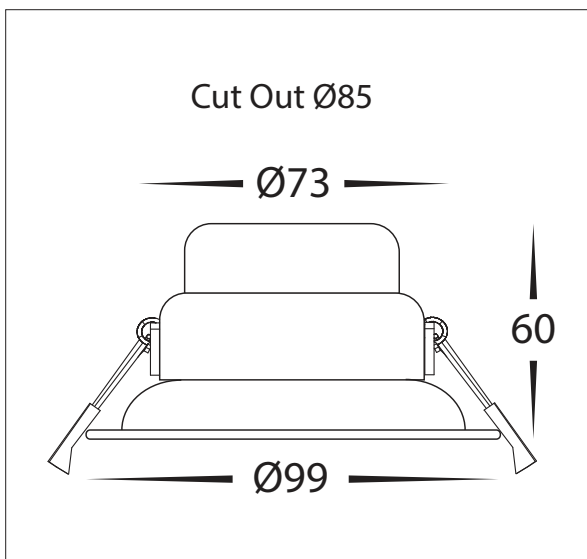
12W FIXED RECESSED DOWNLIGHTS	
MATERIAL	ALUMINIUM
COLOUR/FINISH	MATT BLACK OR MATT WHITE
COLOUR TEMP	2700K 3000K 4000K 5000K 5700K (5-COLOUR)
LUMEN OUTPUT	476LM 508LM 546LM 568LM 544LM
INPUT VOLTAGE	240V AC (REMOTE DRIVER)
BUILT IN LED	12W
DIMMING	TRIAC
CRI	90+
BEAM ANGLE	60°
TILT	NO
CUT OUT	85MM
IC4-RATING	YES
IP RATING	IP20



PRODUCT ORDERING

ALUMINIUM BLACK & WHITE				
	HCP-8151202	12W LED	2700K	476LM
			3000K	508LM
			4000K	546LM
			5000K	568LM
			5700K	544LM

OTHER DATA



18W DIMMABLE RECESSED DOWNLIGHTS



PRODUCT DATA

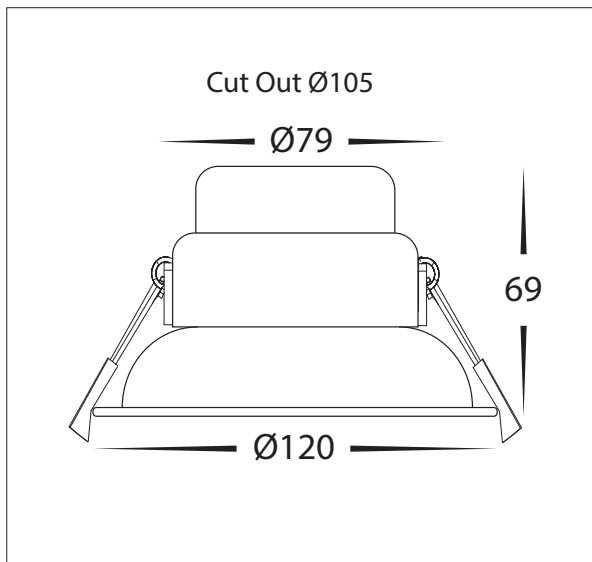
18W FIXED RECESSED DOWNLIGHTS	
MATERIAL	ALUMINIUM
COLOUR/FINISH	MATT BLACK OR MATT WHITE
COLOUR TEMP	2700K 3000K 4000K 5000K 5700K (5-COLOUR)
LUMEN OUTPUT	907LM 962LM 1015LM 1045LM 1052LM
INPUT VOLTAGE	240V AC (REMOTE DRIVER)
BUILT IN LED	18W
DIMMING	TRIAC
CRI	90+
BEAM ANGLE	60°
TILT	NO
CUT OUT	105MM
IC4-RATING	YES
IP RATING	IP20



PRODUCT ORDERING

ALUMINIUM BLACK & WHITE				
	HCP-8151802	18W LED	2700K 3000K 4000K 5000K 5700K	907LM 962LM 1015LM 1045LM 1052LM

OTHER DATA

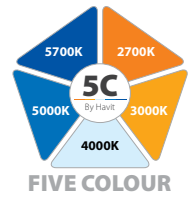


24W DIMMABLE RECESSED DOWNLIGHTS





PRODUCT DATA

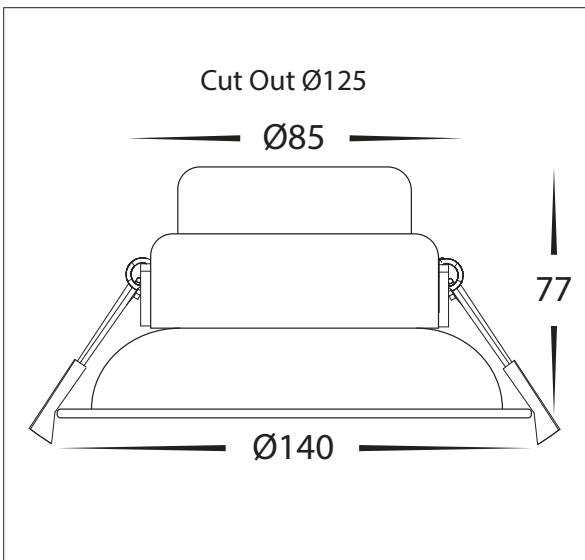
24W FIXED RECESSED DOWNLIGHTS	
MATERIAL	ALUMINIUM
COLOUR/FINISH	MATT BLACK OR MATT WHITE
COLOUR TEMP	2700K 3000K 4000K 5000K 5700K (5-COLOUR)
LUMEN OUTPUT	1150LM 1154LM 1221LM 1235LM 1231LM
INPUT VOLTAGE	240V AC (REMOTE DRIVER)
BUILT IN LED	24W
DIMMING	TRIAC
CRI	90+
BEAM ANGLE	60°
TILT	NO
CUT OUT	125MM
IC4-RATING	YES
IP RATING	IP20



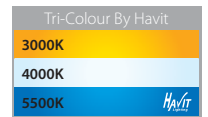
PRODUCT ORDERING

ALUMINIUM BLACK & WHITE				
	HCP-8152402	24W LED	2700K	1150LM
			3000K	1154LM
			4000K	1221LM
			5000K	1235LM
			5700K	1231LM

OTHER DATA



7W TILT DALI DIMMABLE SURFACE MOUNTED DOWNLIGHTS



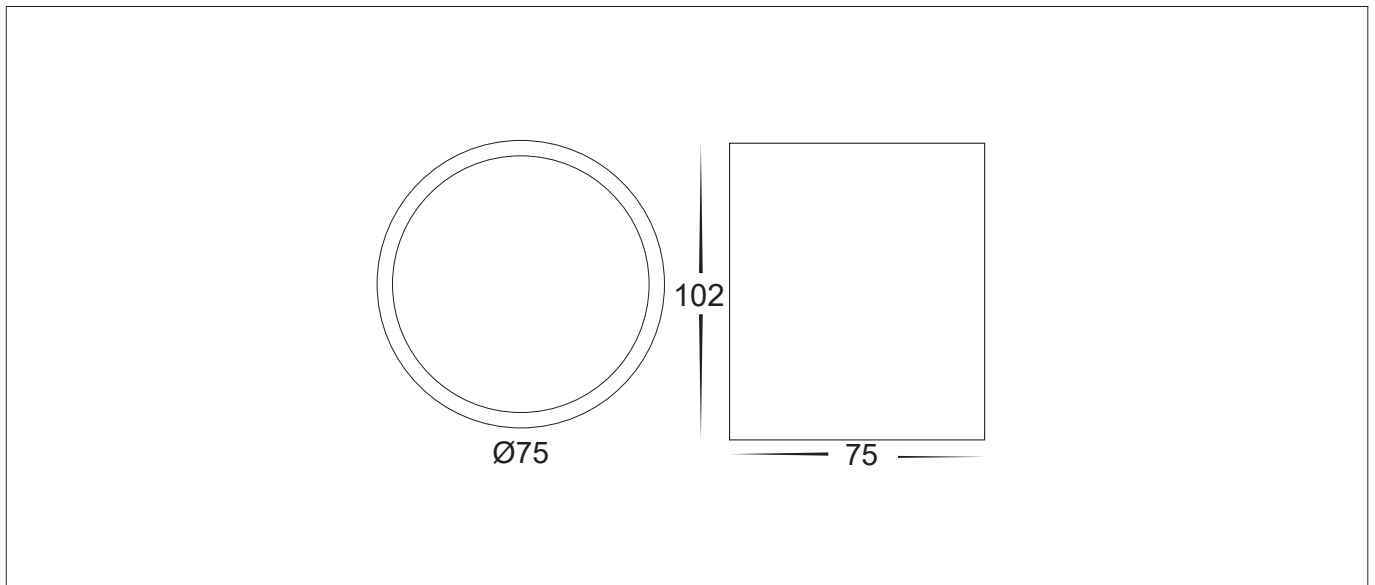
PRODUCT DATA

7W DALI DIMMABLE DOWNLIGHTS	
MATERIAL	ALUMINIUM
COLOUR/FINISH	MATT BLACK OR MATT WHITE
COLOUR TEMP.	3000K 4000K 5500K (TRI-COLOUR)
LUMEN OUTPUT	604LM 641LM 708LM
INPUT VOLTAGE	240v AC (REMOTE DRIVER)
BUILT-IN LED	7w
DIMMING	DALI DIMMABLE
CRI	RA >90
BEAM ANGLE	60°
TILT	20°
IP RATING	IP20

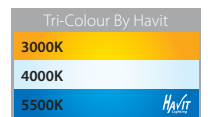
PRODUCT ORDERING

ALUMINIUM BLACK				
	HCP-8020704	7W LED	3000K 4000K 5500K	604LM 641LM 708LM
ALUMINIUM WHITE				
	HCP-8030704	7W LED	3000K 4000K 5500K	604LM 641LM 708LM

OTHER DATA





12W TILT DALI DIMMABLE SURFACE MOUNTED DOWNLIGHTS



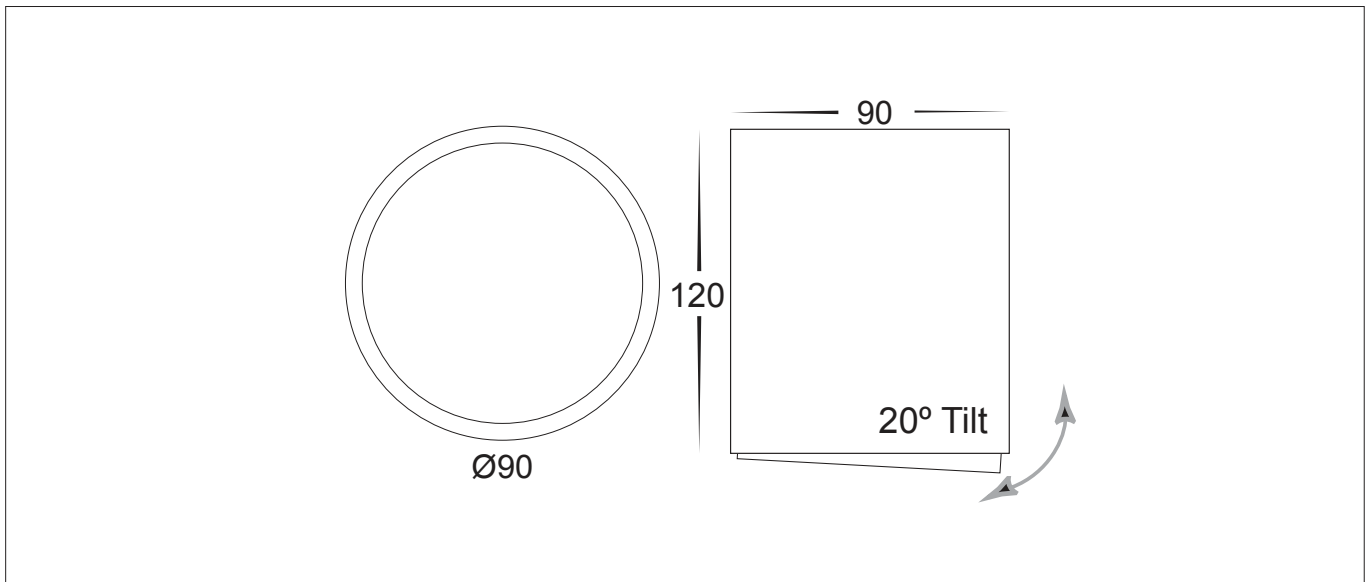
PRODUCT DATA

12W DALI DIMMABLE DOWNLIGHTS	
MATERIAL	ALUMINIUM
COLOUR/FINISH	MATT BLACK OR MATT WHITE
COLOUR TEMP.	3000K 4000K 5500K (TRI-COLOUR)
LUMEN OUTPUT	989LM 1021LM 1024LM
INPUT VOLTAGE	240v AC (REMOTE DRIVER)
BUILT-IN LED	12w
DIMMING	DALI DIMMABLE
CRI	RA >90
BEAM ANGLE	60°
TILT	20°
IP RATING	IP20

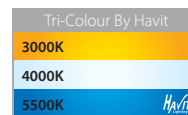
PRODUCT ORDERING

ALUMINIUM BLACK				
	HCP-8021204	12W LED	3000K 4000K 5500K	989LM 1021LM 1024LM
ALUMINIUM WHITE				
	HCP-8031204	12W LED	3000K 4000K 5500K	989LM 1021LM 1024LM

OTHER DATA





18W TILT DALI DIMMABLE SURFACE MOUNTED DOWNLIGHTS



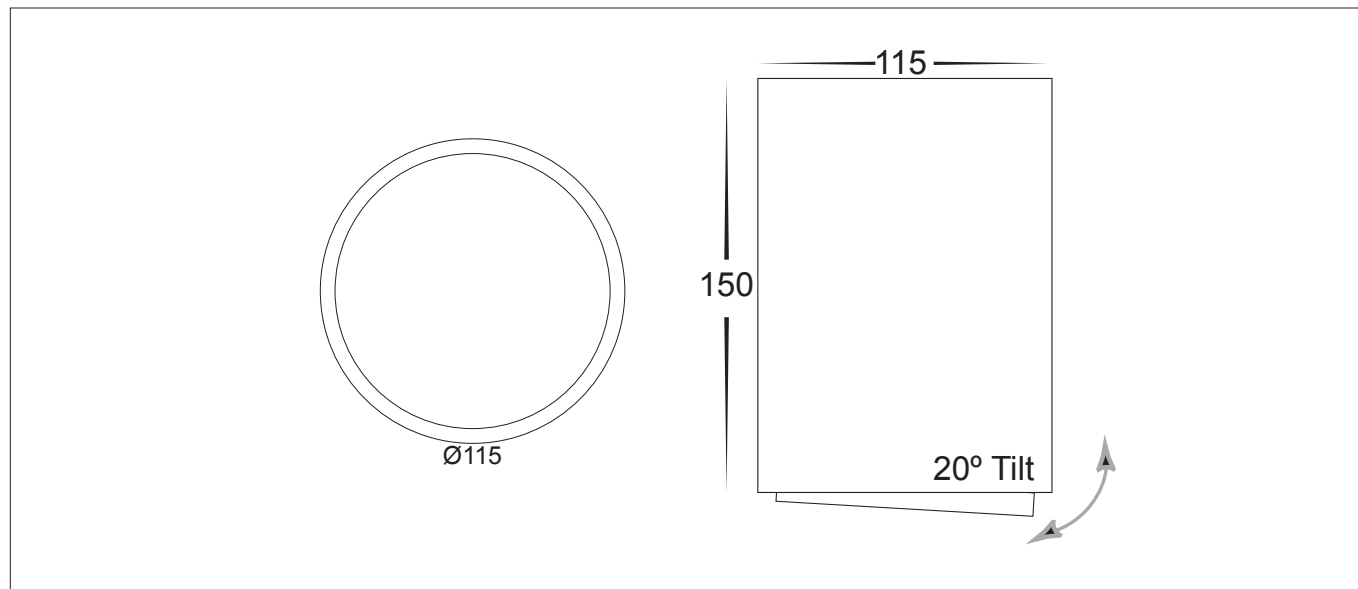
PRODUCT DATA

18W DALI DIMMABLE DOWNLIGHTS	
MATERIAL	ALUMINIUM
COLOUR/FINISH	MATT BLACK OR MATT WHITE
COLOUR TEMP.	3000K 4000K 5500K (TRI-COLOUR)
LUMEN OUTPUT	1104LM 1199LM 1404LM
INPUT VOLTAGE	240v AC
BUILT-IN LED	18w
DIMMING	DALI DIMMABLE
CRI	RA >90
BEAM ANGLE	60°
TILT	20°
IP RATING	IP20

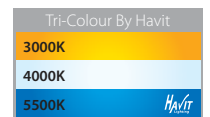
PRODUCT ORDERING

ALUMINIUM BLACK				
	HCP-8021804	18W LED	3000K 4000K 5500K	1104LM 1199LM 1404LM
ALUMINIUM WHITE				
	HCP-8031804	18W LED	3000K 4000K 5500K	1104LM 1199LM 1404LM

OTHER DATA



7W ROTATABLE DALI DIMMABLE SURFACE MOUNTED DOWNLIGHTS



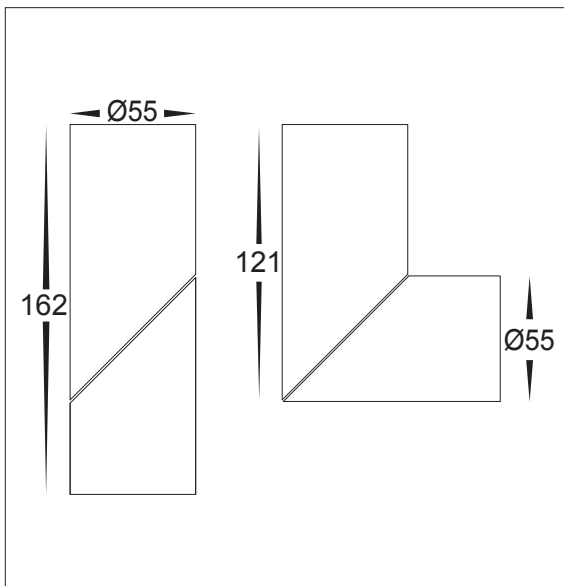
PRODUCT DATA

7W DALI DIMMABLE DOWNLIGHTS	
MATERIAL	ALUMINIUM
COLOUR/FINISH	MATT BLACK OR MATT WHITE
COLOUR TEMP.	3000K 4000K 5500K (TRI-COLOUR)
LUMEN OUTPUT	604LM 641LM 708LM
INPUT VOLTAGE	240v AC (REMOTE DRIVER)
BUILT-IN LED	7w
DIMMING	DALI DIMMABLE
CRI	RA >90
BEAM ANGLE	36°
ROTATION	350°
IP RATING	IP54

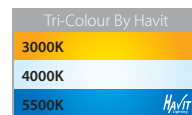
PRODUCT ORDERING

ALUMINIUM BLACK				
	HCP-8820704	7W LED	3000K 4000K 5500K	604LM 641LM 708LM
ALUMINIUM WHITE				
	HCP-8830704	7W LED	3000K 4000K 5500K	604LM 641LM 708LM

OTHER DATA





12W ROTATABLE DALI DIMMABLE SURFACE MOUNTED DOWNLIGHTS



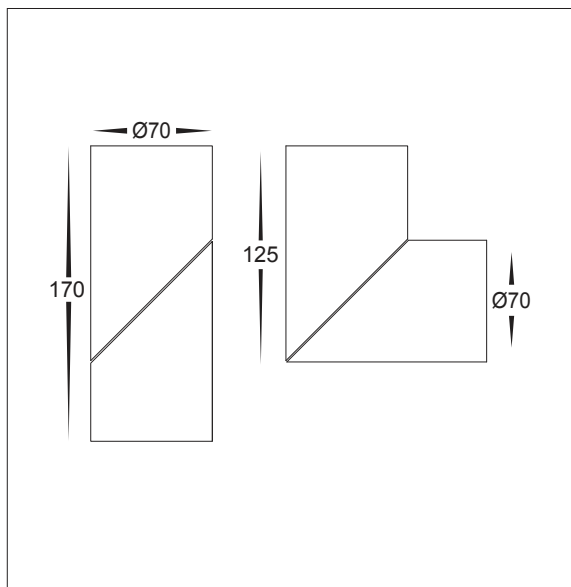
PRODUCT DATA

12W DALI DIMMABLE DOWNLIGHTS	
MATERIAL	ALUMINIUM
COLOUR/FINISH	MATT BLACK OR MATT WHITE
COLOUR TEMP.	3000K 4000K 5500K (TRI-COLOUR)
LUMEN OUTPUT	790LM 855LM 881LM
INPUT VOLTAGE	240v AC (REMOTE DRIVER)
BUILT-IN LED	12w
DIMMING	DALI DIMMABLE
CRI	RA >90
BEAM ANGLE	36°
ROTATION	350°
IP RATING	IP54

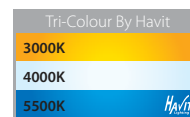
PRODUCT ORDERING

ALUMINIUM BLACK				
	HCP-8821204	12W LED	3000K 4000K 5500K	790LM 855LM 881LM
ALUMINIUM WHITE				
	HCP-8831204	12W LED	3000K 4000K 5500K	790LM 855LM 881LM

OTHER DATA





18W ROTATABLE DALI DIMMABLE SURFACE MOUNTED DOWNLIGHTS



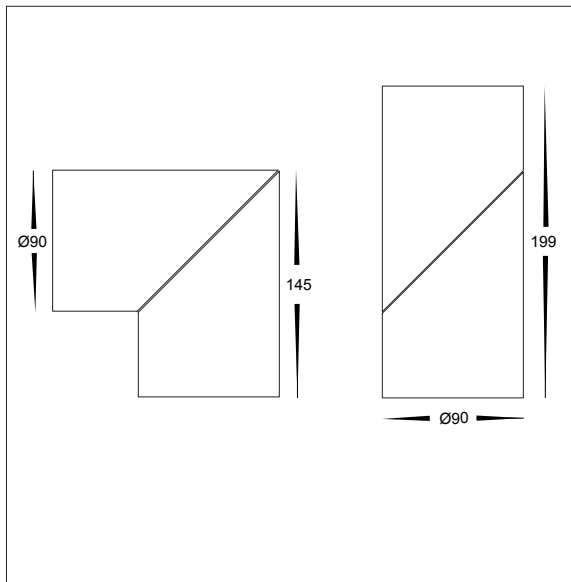
PRODUCT DATA

18W DALI DIMMABLE DOWNLIGHTS	
MATERIAL	ALUMINIUM
COLOUR/FINISH	MATT BLACK OR MATT WHITE
COLOUR TEMP	3000K 4000K 5500K (TRI-COLOUR)
LUMEN OUTPUT	1480LM 1600LM 1485LM
INPUT VOLTAGE	240V
BUILT IN LED	18W
DIMMING	DALI DIMMABLE
CRI	RA >90
BEAM ANGLE	60°
ROTATION	350°
IP RATING	IP54

PRODUCT ORDERING

ALUMINIUM BLACK				
	HCP-8821804	18W LED	3000K 4000K 5500K	1480LM 1600LM 1485LM
ALUMINIUM WHITE				
	HCP-8831804	18W LED	3000K 4000K 5500K	1480LM 1600LM 1485LM

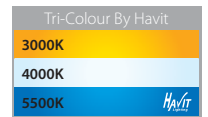
OTHER DATA



18

LED DOWNLIGHTS

24W ROTATABLE DALI DIMMABLE SURFACE MOUNTED DOWNLIGHTS



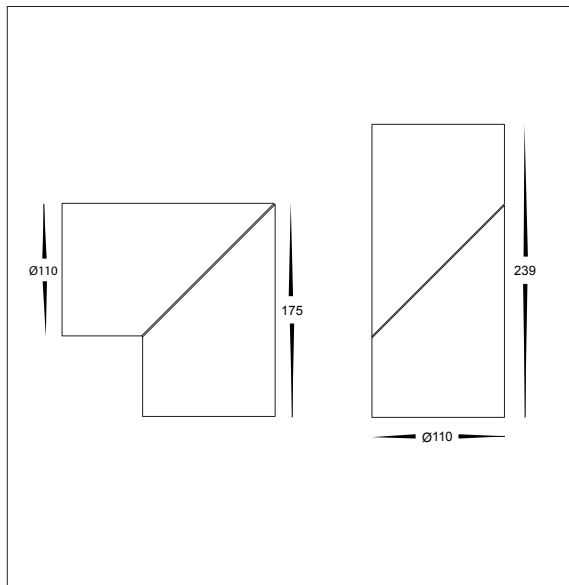
PRODUCT DATA

24W DALI DIMMABLE DOWNLIGHTS	
MATERIAL	ALUMINIUM
COLOUR/FINISH	MATT BLACK OR MATT WHITE
COLOUR TEMP	3000K 4000K 5500K (TRI-COLOUR)
LUMEN OUTPUT	2100LM 2320LM 2270LM
INPUT VOLTAGE	240V
BUILT IN LED	24W
DIMMING	DALI DIMMABLE
CRI	RA >90
BEAM ANGLE	60°
ROTATION	350°
IP RATING	IP54

PRODUCT ORDERING

ALUMINIUM BLACK				
	HCP-8822404	24W LED	3000K 4000K 5500K	2100LM 2320LM 2270LM
ALUMINIUM WHITE				
	HCP-8832404	24W LED	3000K 4000K 5500K	2100LM 2320LM 2270LM

OTHER DATA



7W DALI DIMMABLE SURFACE MOUNTED DOWNLIGHTS



Tri-Colour By Havit	
3000K	
4000K	
5500K	HAVIT

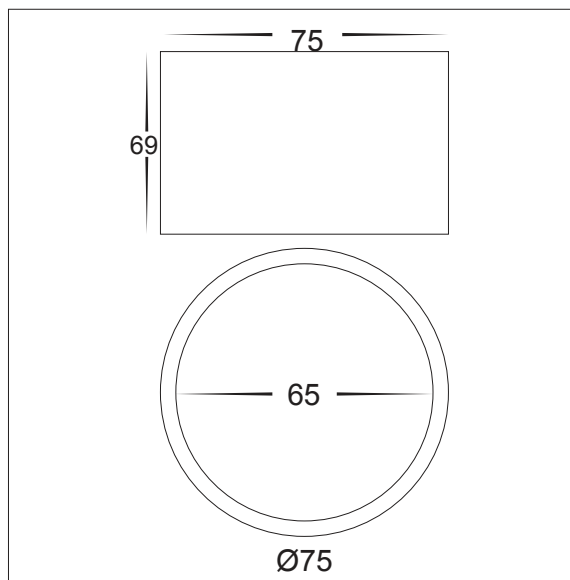
PRODUCT ORDERING

ALUMINIUM BLACK				
	HCP-8920704	7W LED	3000K 4000K 5500K	528LM 564LM 543LM
	HCP-8920714	7W LED	3000K 4000K 5500K	528LM 564LM 543LM
ALUMINIUM WHITE				
	HCP-8930704	7W LED	3000K 4000K 5500K	528LM 564LM 543LM
	HCP-8930714	7W LED	3000K 4000K 5500K	528LM 564LM 543LM

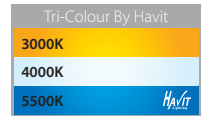
PRODUCT DATA

7W DALI DIMMABLE DOWNLIGHTS	
MATERIAL	ALUMINIUM
COLOUR/FINISH	MATT BLACK OR MATT WHITE
COLOUR TEMP.	3000K 4000K 5500K (TRI-COLOUR)
LUMEN OUTPUT	528LM 564LM 543LM
INPUT VOLTAGE	240v AC (REMOTE DRIVER)
BUILT-IN LED	7w
DIMMING	DALI DIMMABLE
CRI	RA >90
BEAM ANGLE	120°
IP RATING	IP54

OTHER DATA



12W DALI DIMMABLE SURFACE MOUNTED DOWNLIGHTS



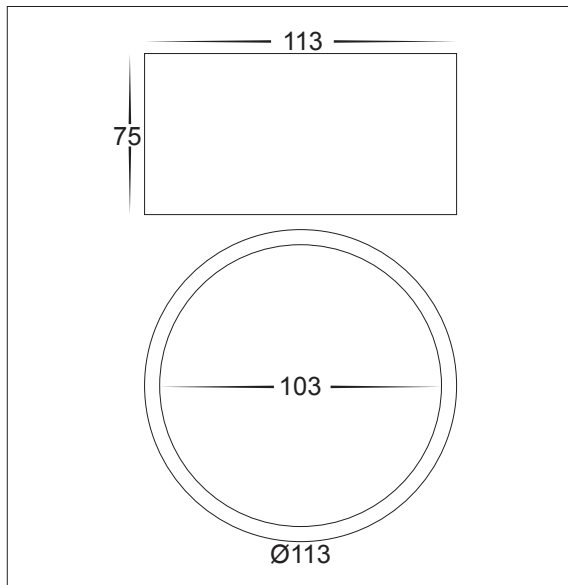
PRODUCT DATA

12W DALI DIMMABLE DOWNLIGHTS	
MATERIAL	ALUMINIUM
COLOUR/FINISH	MATT BLACK OR MATT WHITE
COLOUR TEMP.	3000K 4000K 5500K (TRI-COLOUR)
LUMEN OUTPUT	1051LM 1127LM 1138LM
INPUT VOLTAGE	240v AC
BUILT-IN LED	12w
DIMMING	DALI DIMMABLE
CRI	RA >90
BEAM ANGLE	120°
IP RATING	IP54

PRODUCT ORDERING

ALUMINIUM BLACK				
	HCP-8921204	12W LED	3000K 4000K 5500K	1051LM 1127LM 1138LM
	HCP-8921214	12W LED	3000K 4000K 5500K	1051LM 1127LM 1138LM
ALUMINIUM WHITE				
	HCP-8931204	12W LED	3000K 4000K 5500K	1051LM 1127LM 1138LM
	HCP-8931214	12W LED	3000K 4000K 5500K	1051LM 1127LM 1138LM

OTHER DATA



18W DALI DIMMABLE SURFACE MOUNTED DOWNLIGHTS



Tri-Colour By Havit	
3000K	
4000K	
5500K	Havit

PRODUCT ORDERING

ALUMINIUM BLACK				
	HCP-8921804	18W LED	3000K 4000K 5500K	1306LM 1433LM 1381LM
	HCP-8921814	18W LED	3000K 4000K 5500K	1306LM 1433LM 1381LM
ALUMINIUM WHITE				
	HCP-8931804	18W LED	3000K 4000K 5500K	1306LM 1433LM 1381LM
	HCP-8931814	18W LED	3000K 4000K 5500K	1306LM 1433LM 1381LM

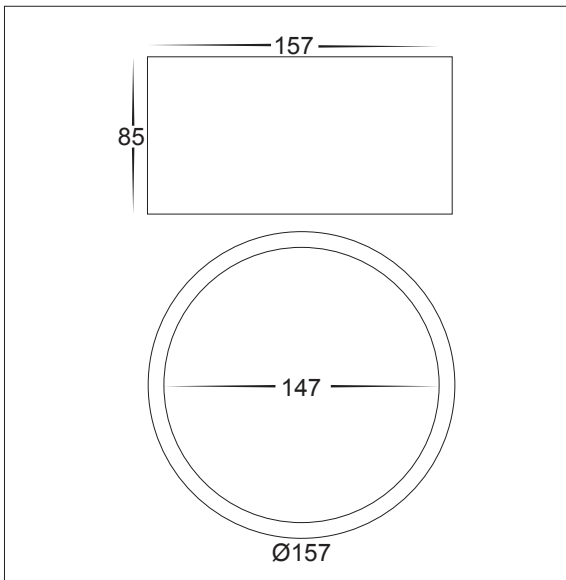
18

LED DOWNLIGHTS

PRODUCT DATA

18W DALI DIMMABLE DOWNLIGHTS	
MATERIAL	ALUMINIUM
COLOUR/FINISH	MATT BLACK OR MATT WHITE
COLOUR TEMP.	3000K 4000K 5500K (TRI-COLOUR)
LUMEN OUTPUT	1306LM 1433LM 1381LM
INPUT VOLTAGE	240v AC
BUILT-IN LED	18w
DIMMING	DALI DIMMABLE
CRI	RA >90
BEAM ANGLE	120°
IP RATING	IP54

OTHER DATA



7W DALI DIMMABLE SURFACE MOUNTED DOWNLIGHTS



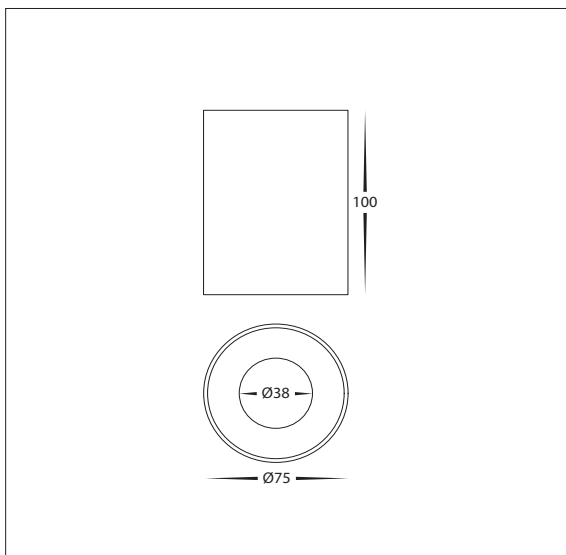
PRODUCT DATA

7W DALI DIMMABLE DOWNLIGHTS	
MATERIAL	ALUMINIUM
COLOUR/FINISH	MATT BLACK OR MATT WHITE
COLOUR TEMP.	2700K 3000K 4000K 5000K 5700K (5 COLOUR)
LUMEN OUTPUT	499LM 512LM 558LM 593LM 601LM
INPUT VOLTAGE	240V AC
BUILT-IN LED	7W
DIMMING	DALI
CRI	RA > 90
BEAM ANGLE	60°
IP RATING	IP54

PRODUCT ORDERING

ALUMINIUM BLACK				
	HCP-8920724	7W LED	2700K 3000K 4000K 5000K 5700K	499LM 512LM 558LM 593LM 601LM
ALUMINIUM WHITE				
	HCP-8930724	7W LED	2700K 3000K 4000K 5000K 5700K	499LM 512LM 558LM 593LM 601LM
OPTIONAL INSERTS				
	HCP-80907-BR		BLACK INSERT	
	HCP-80907-CR		CHROME INSERT	
	HCP-80907-GR		ROSE GOLD INSERT	

OTHER DATA



7W DALI DIMMABLE SURFACE MOUNTED DOWNLIGHTS



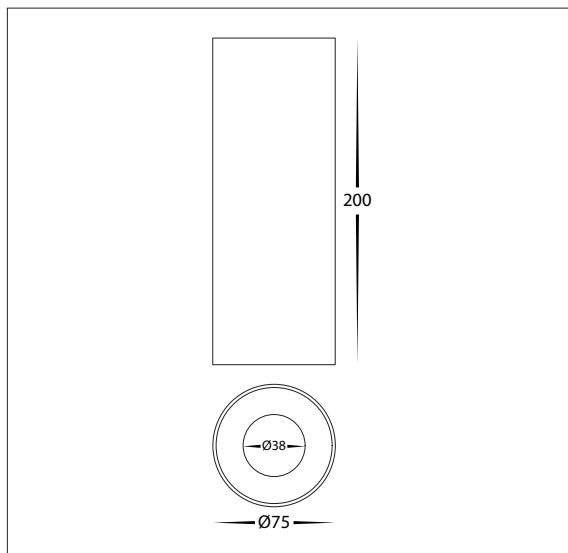
PRODUCT DATA

7W DALI DIMMABLE DOWNLIGHTS	
MATERIAL	ALUMINIUM
COLOUR/FINISH	MATT BLACK OR MATT WHITE
COLOUR TEMP.	2700K 3000K 4000K 5000K 5700K (5 COLOUR)
LUMEN OUTPUT	499LM 512LM 558LM 593LM 601LM
INPUT VOLTAGE	240V AC
BUILT-IN LED	7W
DIMMING	DALI
CRI	RA > 90
BEAM ANGLE	60°
IP RATING	IP54

PRODUCT ORDERING

ALUMINIUM BLACK				
	HCP-8920734	7W LED	2700K 3000K 4000K 5000K 5700K	499LM 512LM 558LM 593LM 601LM
ALUMINIUM WHITE				
	HCP-8930734	7W LED	2700K 3000K 4000K 5000K 5700K	499LM 512LM 558LM 593LM 601LM
OPTIONAL INSERTS				
	HCP-80907-BR	BLACK INSERT		
	HCP-80907-CR	CHROME INSERT		
	HCP-80907-GR	ROSE GOLD INSERT		

OTHER DATA








12W DALI DIMMABLE SURFACE MOUNTED DOWNLIGHTS



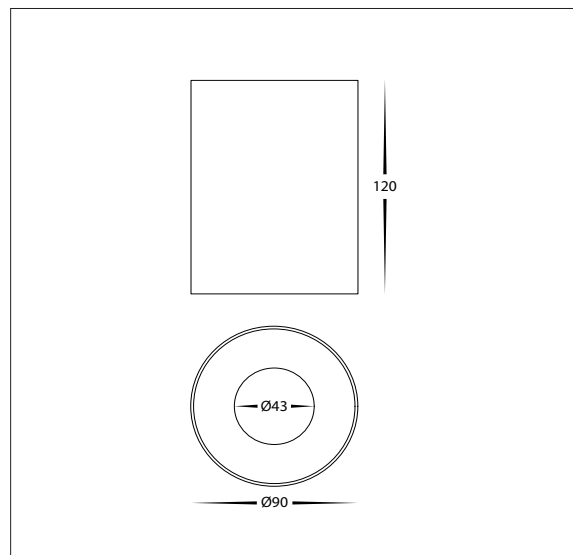
PRODUCT DATA

12W DALI DIMMABLE DOWNLIGHTS	
MATERIAL	ALUMINIUM
COLOUR/FINISH	MATT BLACK OR MATT WHITE
COLOUR TEMP.	2700K 3000K 4000K 5000K 5700K (5 COLOUR)
LUMEN OUTPUT	688LM 840LM 916LM 931LM 1004LM
INPUT VOLTAGE	240V AC
BUILT-IN LED	12W
DIMMING	DALI
CRI	RA > 90
BEAM ANGLE	60°
IP RATING	IP54

PRODUCT ORDERING

ALUMINIUM BLACK				
	HCP-8921224	12W LED	2700K 3000K 4000K 5000K 5700K	688LM 840LM 916LM 931LM 1004LM
ALUMINIUM WHITE				
	HCP-8931224	12W LED	2700K 3000K 4000K 5000K 5700K	688LM 840LM 916LM 931LM 1004LM
OPTIONAL INSERTS				
	HCP-80912-BR		BLACK INSERT	
	HCP-80912-CR		CHROME INSERT	
	HCP-80912-GR		ROSE GOLD INSERT	

OTHER DATA



12W DALI DIMMABLE SURFACE MOUNTED DOWNLIGHTS



18

LED DOWNLIGHTS

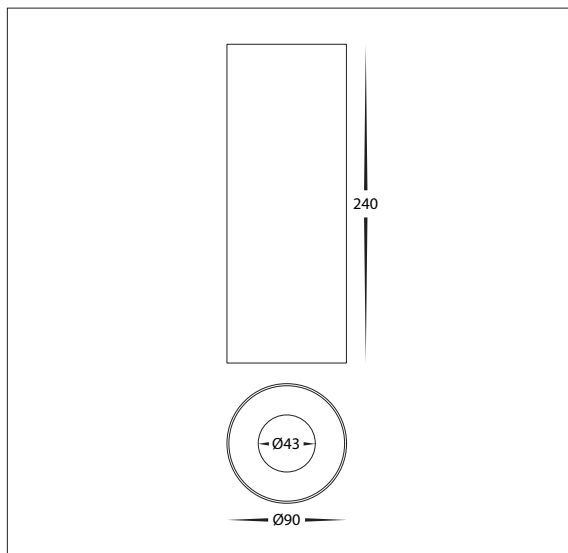
PRODUCT DATA

12W DALI DIMMABLE DOWNLIGHTS	
MATERIAL	ALUMINIUM
COLOUR/FINISH	MATT BLACK OR MATT WHITE
COLOUR TEMP.	2700K 3000K 4000K 5000K 5700K (5 COLOUR)
LUMEN OUTPUT	688LM 840LM 916LM 931LM 1004LM
INPUT VOLTAGE	240V AC
BUILT-IN LED	12W
DIMMING	DALI
CRI	RA > 90
BEAM ANGLE	60°
IP RATING	IP54

PRODUCT ORDERING

ALUMINIUM BLACK				
	HCP-8921234	12W LED	2700K 3000K 4000K 5000K 5700K	688LM 840LM 916LM 931LM 1004LM
ALUMINIUM WHITE				
	HCP-8931234	12W LED	2700K 3000K 4000K 5000K 5700K	688LM 840LM 916LM 931LM 1004LM
OPTIONAL INSERTS				
	HCP-80912-BR	BLACK INSERT		
	HCP-80912-CR	CHROME INSERT		
	HCP-80912-GR	ROSE GOLD INSERT		

OTHER DATA



18W DALI DIMMABLE SURFACE MOUNTED DOWNLIGHTS



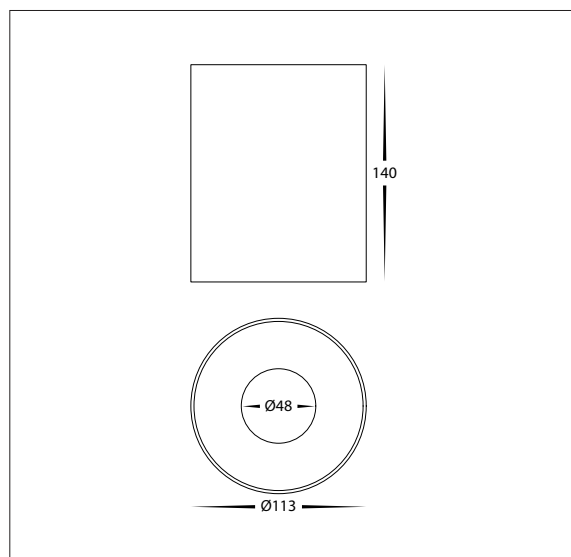
PRODUCT DATA

18W DALI DIMMABLE DOWNLIGHTS	
MATERIAL	ALUMINIUM
COLOUR/FINISH	MATT BLACK OR MATT WHITE
COLOUR TEMP.	2700K 3000K 4000K 5000K 5700K (5 COLOUR)
LUMEN OUTPUT	1371LM 1410LM 1518LM 1600LM 1617LM
INPUT VOLTAGE	240V AC
BUILT-IN LED	18W
DIMMING	DALI
CRI	RA > 90
BEAM ANGLE	60°
IP RATING	IP54

PRODUCT ORDERING

ALUMINIUM BLACK				
	HCP-8921824	18W LED	2700K 3000K 4000K 5000K 5700K	1371LM 1410LM 1518LM 1600LM 1617LM
ALUMINIUM WHITE				
	HCP-8931824	18W LED	2700K 3000K 4000K 5000K 5700K	1371LM 1410LM 1518LM 1600LM 1617LM
OPTIONAL INSERTS				
	HCP-80918-BR		BLACK INSERT	
	HCP-80918-CR		CHROME INSERT	
	HCP-80918-GR		ROSE GOLD INSERT	

OTHER DATA



24W DALI DIMMABLE SURFACE MOUNTED DOWNLIGHTS



18

LED DOWNLIGHTS

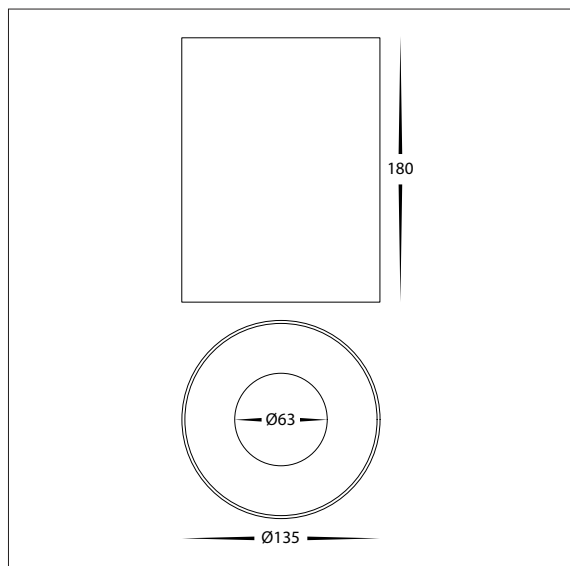
PRODUCT DATA

24W DALI DIMMABLE DOWNLIGHTS	
MATERIAL	ALUMINIUM
COLOUR/FINISH	MATT BLACK OR MATT WHITE
COLOUR TEMP.	2700K 3000K 4000K 5000K 5700K (5 COLOUR)
LUMEN OUTPUT	1554LM 1638LM 1796LM 1893LM 1968LM
INPUT VOLTAGE	240V AC
BUILT-IN LED	24W
DIMMING	DALI
CRI	RA > 90
BEAM ANGLE	60°
IP RATING	IP54

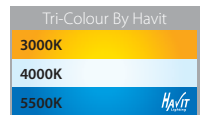
PRODUCT ORDERING

ALUMINIUM BLACK				
	HCP-8922424	24W LED	2700K 3000K 4000K 5000K 5700K	1554LM 1638LM 1796LM 1893LM 1968LM
ALUMINIUM WHITE				
	HCP-8932424	24W LED	2700K 3000K 4000K 5000K 5700K	1554LM 1638LM 1796LM 1893LM 1968LM
OPTIONAL INSERTS				
	HCP-80924-BR		BLACK INSERT	
	HCP-80924-CR		CHROME INSERT	
	HCP-80924-GR		ROSE GOLD INSERT	

OTHER DATA





12W IP65 SURFACE MOUNTED DOWNLIGHTS



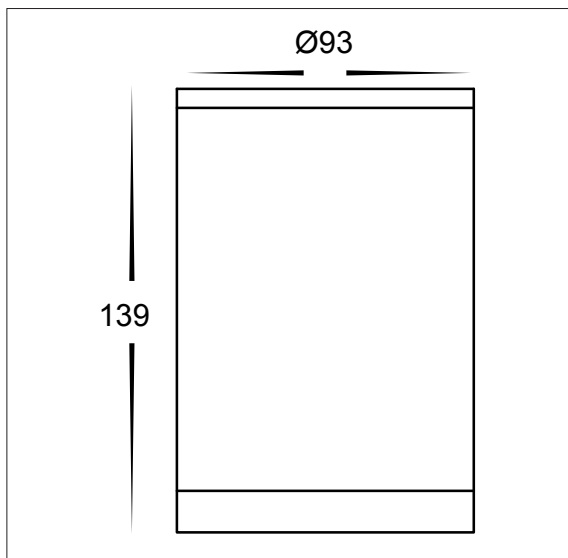
PRODUCT DATA

12W IP65 DOWNLIGHTS	
MATERIAL	ALUMINIUM
COLOUR/FINISH	MATT BLACK OR MATT WHITE
COLOUR TEMP.	3000K 4000K 5500K (TRI-COLOUR)
LUMEN OUTPUT	1280LM 1360LM 1274LM
INPUT VOLTAGE	240v AC
BUILT-IN LED	12w
DIMMING	NO
CRI	Ra >80
BEAM ANGLE	60°
IP RATING	IP65

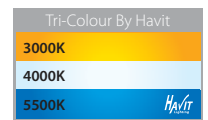
PRODUCT ORDERING

ALUMINIUM BLACK				
	HCP-8921201	12W LED	3000K 4000K 5500K	1280LM 1360LM 1274LM
ALUMINIUM WHITE				
	HCP-8931201	12W LED	3000K 4000K 5500K	1280LM 1360LM 1274LM

OTHER DATA





15W IP65 SURFACE MOUNTED DOWNLIGHTS



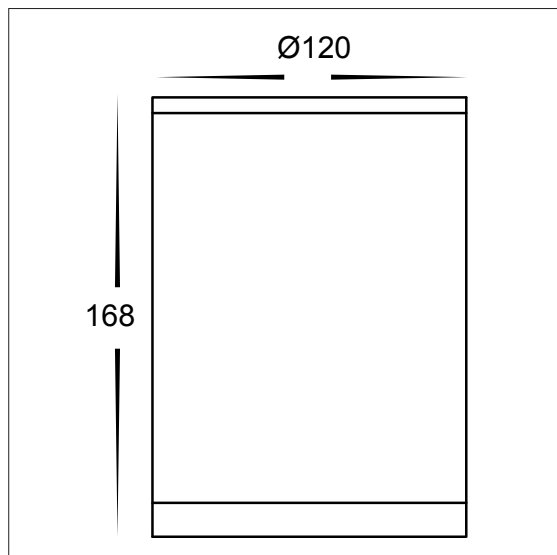
PRODUCT DATA

15W IP65 DOWNLIGHTS	
MATERIAL	ALUMINIUM
COLOUR/FINISH	MATT BLACK OR MATT WHITE
COLOUR TEMP.	3000K 4000K 5500K (TRI-COLOUR)
LUMEN OUTPUT	1410LM 1550LM 1480LM
INPUT VOLTAGE	240v AC
BUILT-IN LED	15w
DIMMING	NO
CRI	Ra >80
BEAM ANGLE	60°
IP RATING	IP65

PRODUCT ORDERING

ALUMINIUM BLACK				
	HCP-8921501	15W LED	3000K 4000K 5500K	1410LM 1550LM 1480LM
ALUMINIUM WHITE				
	HCP-8931501	15W LED	3000K 4000K 5500K	1410LM 1550LM 1480LM

OTHER DATA



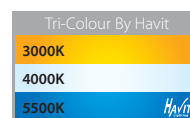
DALI DIMMABLE LED OYSTERS





PRODUCT DATA

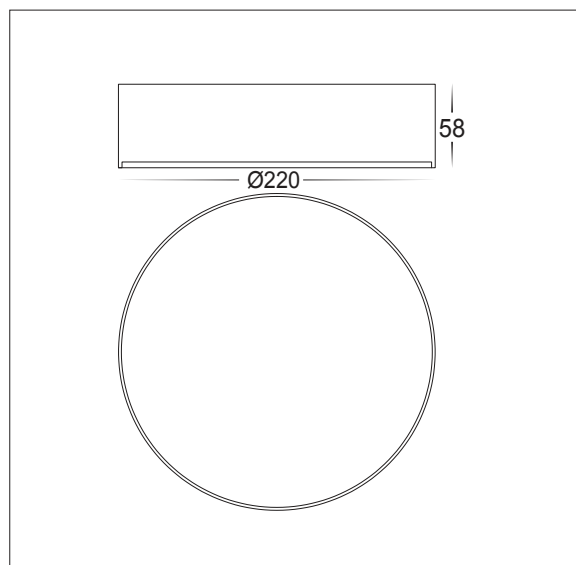
IP54 LED OYSTERS	
MATERIAL	ALUMINIUM
COLOUR/FINISH	MATT BLACK OR WHITE
COLOUR TEMP.	3000K 4000K 5500K (TRI-COLOUR)
LUMEN OUTPUT	1214LM 1345LM 1251LM
INPUT VOLTAGE	240V AC
BUILT-IN LED	20W
DIMMING	DALI DIMMABLE
CRI	RA >90
BEAM ANGLE	120°
IP RATING	IP54

PRODUCT ORDERING



ALUMINIUM BLACK				
	HCP-8922004	20W LED	3000K 4000K 5500K	1214LM 1345LM 1251LM
ALUMINIUM WHITE				
	HCP-8932004	20W LED	3000K 4000K 5500K	1214LM 1345LM 1251LM

OTHER DATA





PRODUCT DATA

IP54 LED OYSTERS	
MATERIAL	ALUMINIUM
COLOUR/FINISH	MATT BLACK OR WHITE
COLOUR TEMP.	3000K 4000K 5500K (TRI-COLOUR)
LUMEN OUTPUT	2056LM 2131LM 2212LM
INPUT VOLTAGE	240V AC
BUILT-IN LED	30W
DIMMING	DALI DIMMABLE
CRI	RA >90
BEAM ANGLE	120°
IP RATING	IP54

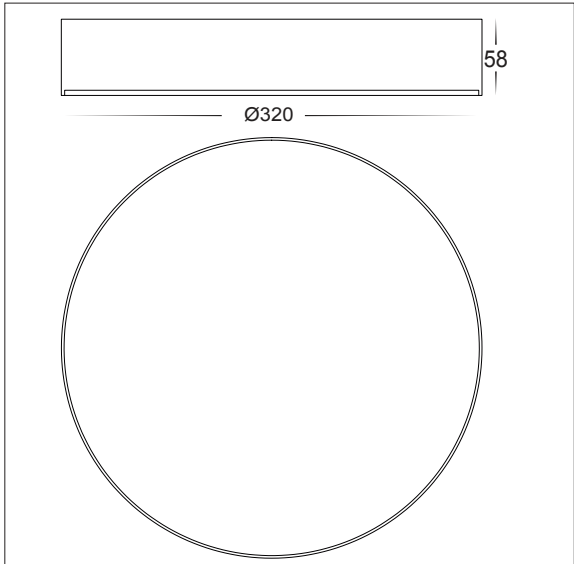
PRODUCT ORDERING

Tri-Colour By Havit

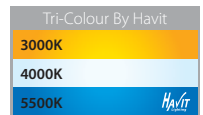
3000K
4000K
5500K

ALUMINIUM BLACK				
	HCP-8923004	30W LED	3000K 4000K 5500K	2056LM 2131LM 2212LM
ALUMINIUM WHITE				
	HCP-8933004	30W LED	3000K 4000K 5500K	2056LM 2131LM 2212LM

OTHER DATA







12W DALI DIMMABLE PENDANTS



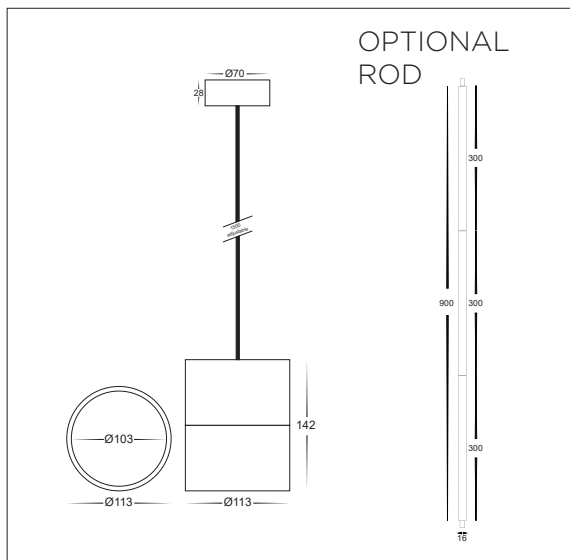
PRODUCT DATA

12W DALI DIMMABLE PENDANTS	
MATERIAL	ALUMINIUM
COLOUR/FINISH	MATT BLACK OR MATT WHITE
COLOUR TEMP.	3000K 4000K 5500K (TRI-COLOUR)
LUMEN OUTPUT	1051LM 1127LM 1138LM
INPUT VOLTAGE	240v AC
BUILT-IN LED	12w
DIMMING	DALI DIMMABLE
CRI	RA >90
BEAM ANGLE	120°
IP RATING	IP20

PRODUCT ORDERING

ALUMINIUM BLACK				
	HCP-8921204-PDT	12W LED	3000K 4000K 5500K	1051LM 1127LM 1138LM
ALUMINIUM WHITE				
	HCP-8931204-PDT	12W LED	3000K 4000K 5500K	1051LM 1127LM 1138LM
OPTIONAL ACCESSORIES				
	HCP-900MM-ROD-BLK	Black Rod		
	HCP-900MM-ROD-WHT	White Rod		

OTHER DATA



OPTIONAL ACCESSORIES



18W DALI DIMMABLE PENDANTS



Tri-Colour By Havit	
3000K	
4000K	
5500K	

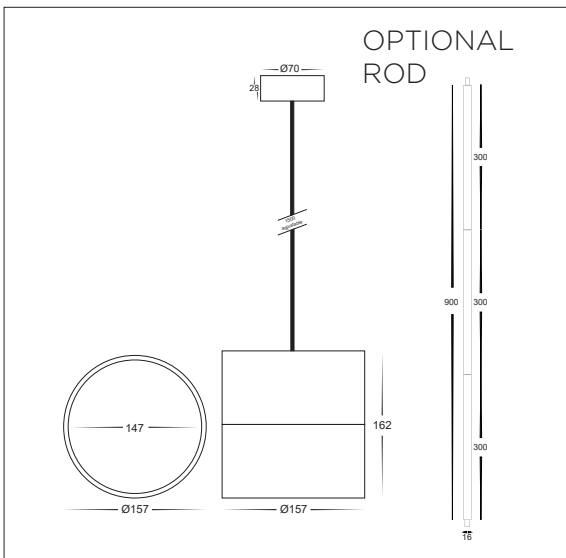
PRODUCT DATA

18W DALI DIMMABLE PENDANTS	
MATERIAL	ALUMINIUM
COLOUR/FINISH	MATT BLACK OR MATT WHITE
COLOUR TEMP.	3000K 4000K 5500K (TRI-COLOUR)
LUMEN OUTPUT	1306LM 1433LM 1381LM
INPUT VOLTAGE	240v AC
BUILT-IN LED	18w
DIMMING	DALI DIMMABLE
CRI	RA >90
BEAM ANGLE	120°
IP RATING	IP20

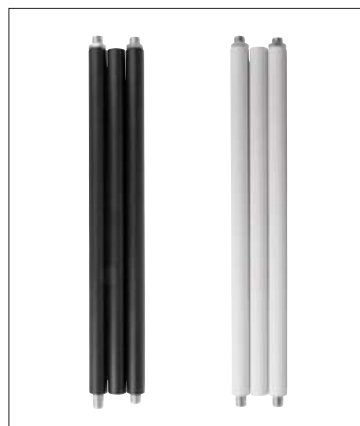
PRODUCT ORDERING

ALUMINIUM BLACK				
	HCP-8921804-PDT	18W LED	3000K 4000K 5500K	1306LM 1433LM 1381LM
ALUMINIUM WHITE				
	HCP-8931804-PDT	18W LED	3000K 4000K 5500K	1306LM 1433LM 1381LM
OPTIONAL ACCESSORIES				
	HCP-900MM-ROD-BLK	Black Rod		
	HCP-900MM-ROD-WHT	White Rod		

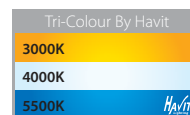
OTHER DATA



OPTIONAL ACCESSORIES



LED PENDANTS



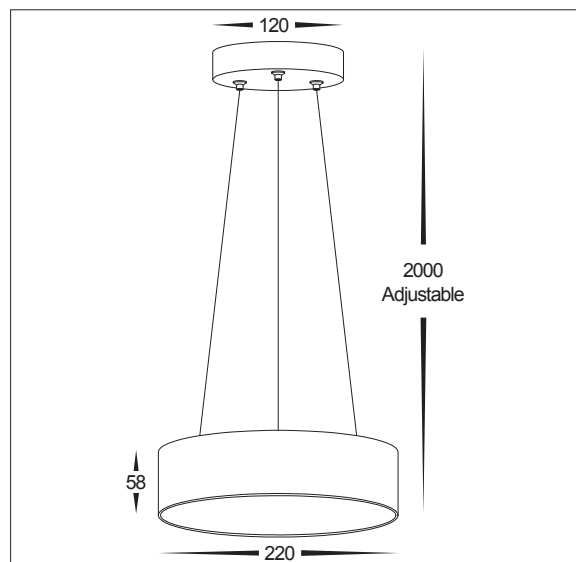
PRODUCT DATA

IP20 ROUND PENDANTS	
MATERIAL	ALUMINIUM
COLOUR/FINISH	MATT BLACK OR WHITE
COLOUR TEMP.	3000K 4000K 5500K (TRI-COLOUR)
LUMEN OUTPUT	1214LM 1345LM 1251LM
INPUT VOLTAGE	240V AC
BUILT-IN LED	20W
DIMMING	DALI DIMMABLE
CRI	RA >90
BEAM ANGLE	120°
IP RATING	IP20

PRODUCT ORDERING

ALUMINIUM BLACK				
	HCP-8922004-PDT	20W LED	3000K 4000K 5500K	1214LM 1345LM 1251LM
ALUMINIUM WHITE				
	HCP-8932004-PDT	20W LED	3000K 4000K 5500K	1214LM 1345LM 1251LM

OTHER DATA



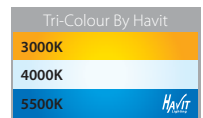


PRODUCT DATA

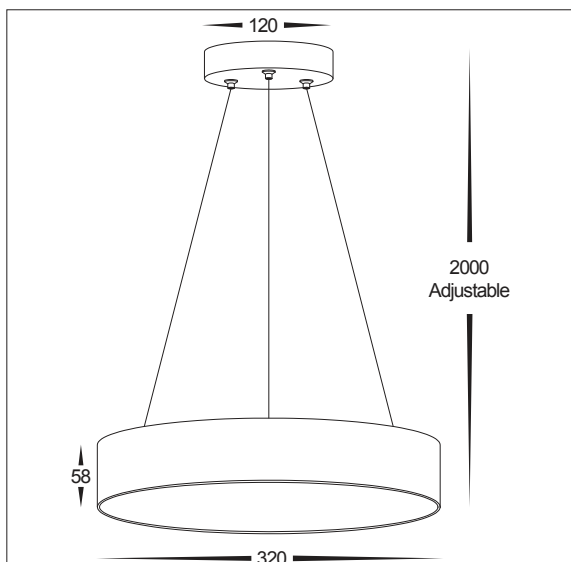
IP20 ROUND PENDANTS	
MATERIAL	ALUMINIUM
COLOUR/FINISH	MATT BLACK OR WHITE
COLOUR TEMP.	3000K 4000K 5500K (TRI-COLOUR)
LUMEN OUTPUT	2056LM 2131LM 2212LM
INPUT VOLTAGE	240V AC
BUILT-IN LED	30W
DIMMING	DALI DIMMABLE
CRI	RA >90
BEAM ANGLE	120°
IP RATING	IP20

PRODUCT ORDERING

ALUMINIUM BLACK				
	HCP-8923004-PDT	30W LED	3000K 4000K 5500K	2056LM 2131LM 2212LM
ALUMINIUM WHITE				
	HCP-8933004-PDT	30W LED	3000K 4000K 5500K	2056LM 2131LM 2212LM



OTHER DATA



RECESSED LED SPITFIRE



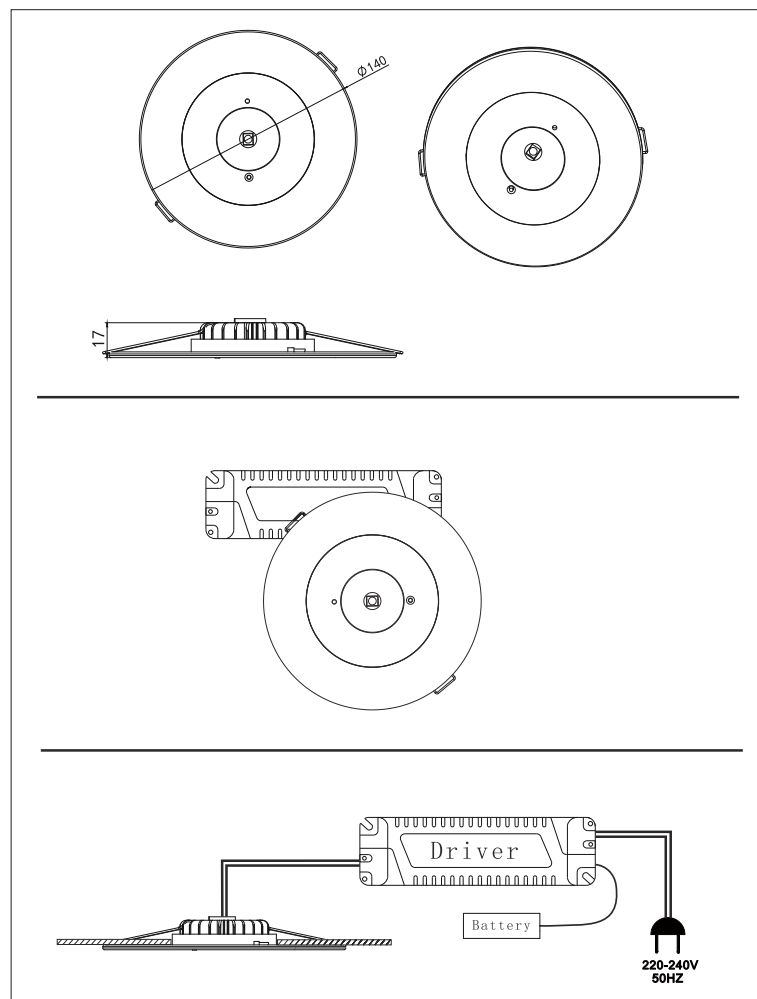
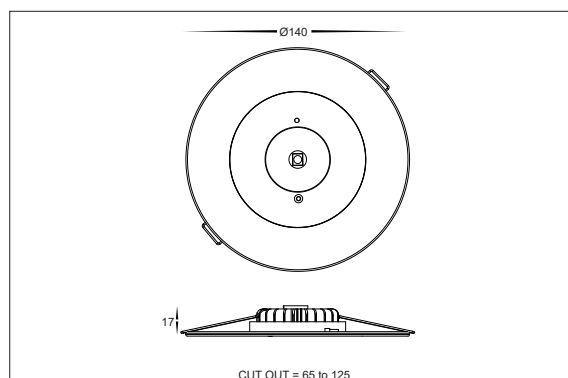
PRODUCT DATA

RECESSED SPITFIRE	
MATERIAL	POLYCARBONATE + ALUMINIUM
COLOUR/FINISH	MATT WHITE
BUILT IN LED	3W
COLOUR TEMP	6000K
LUMENS	140LM
INPUT VOLTAGE	240V
BATTERY TYPE	LITHIUM
CHARGING TIME	24HRS
DURATION TIME	3 HOURS
WORK MODE	NON-MAINTAINED
TEST MODE	SELF TESTING
CUT OUT	65MM - 125MM
IP RATING	IP20

PRODUCT ORDERING

RECESSED SPITFIRE			
HCP-91301	3W LED	6000K	140LM

OTHER DATA



SURFACE MOUNTED LED SPITFIRE



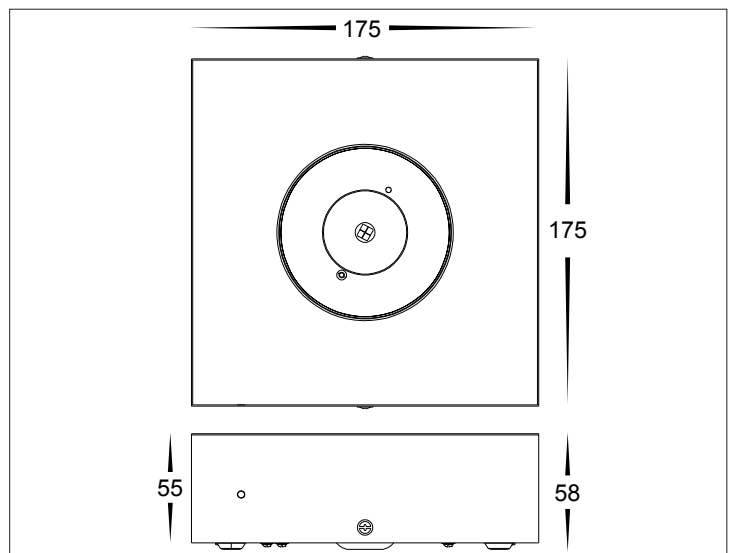
PRODUCT DATA

SURFACE MOUNTED SPITFIRE	
MATERIAL	POLYCARBONATE + ALUMINIUM
COLOUR/FINISH	MATT WHITE
BUILT IN LED	3W
COLOUR TEMP	6000K
LUMENS	140LM
INPUT VOLTAGE	240V
BATTERY TYPE	LITHIUM
CHARGING TIME	24HRS
DURATION TIME	3 HOURS
WORK MODE	NON-MAINTAINED
TEST MODE	SELF TESTING
IP RATING	IP20

PRODUCT ORDERING

SURFACE MOUNTED SPITFIRE			
HCP-91302	3W LED	6000K	140LM

OTHER DATA



EXIT LIGHT



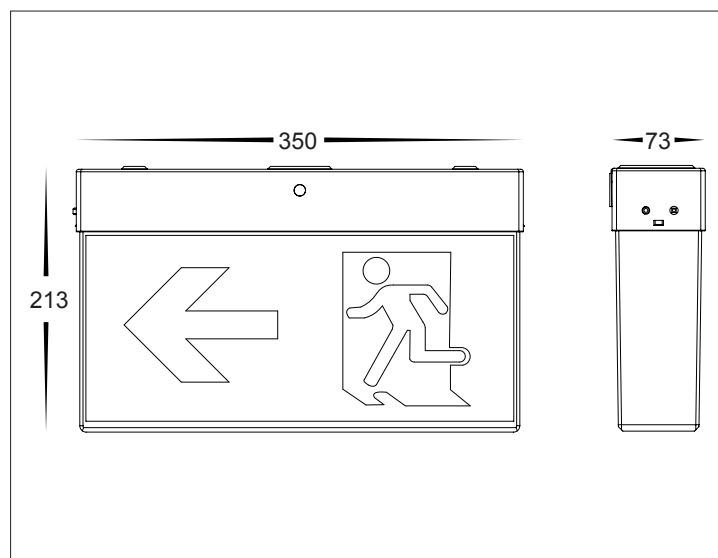
PRODUCT DATA

EXIT LIGHT	
MATERIAL	POLYCARBONATE
COLOUR/FINISH	MATT WHITE
BUILT IN LED	3W
COLOUR TEMP	6000K
LUMENS	140LM
INPUT VOLTAGE	240V
BATTERY TYPE	LITHIUM
CHARGING TIME	24HRS
DURATION TIME	3 HOURS
VIEWING DISTANCE	24M
WORK MODE	MAINTAINED
TEST MODE	SELF TESTING
IP RATING	IP20

PRODUCT ORDERING

EXIT LIGHT			
HCP-91303	3W LED	6000K	140LM

OTHER DATA

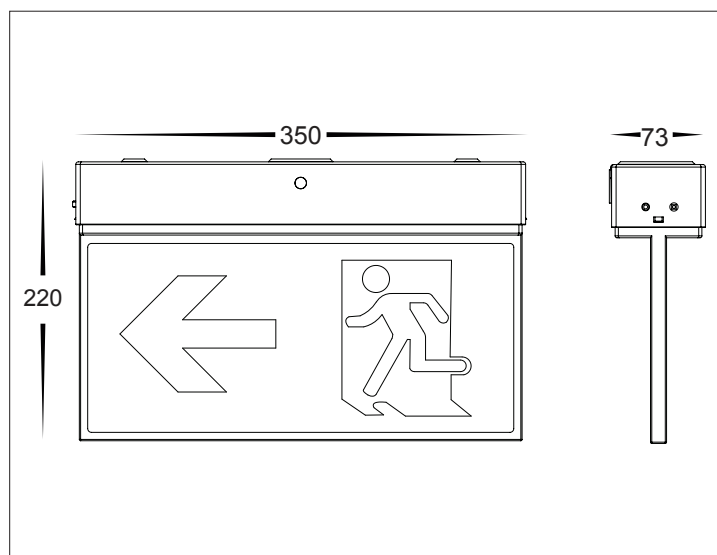




PRODUCT DATA

EXIT LIGHT	
MATERIAL	POLYCARBONATE
COLOUR/FINISH	MATT WHITE
BUILT IN LED	3W
COLOUR TEMP	6000K
LUMENS	140LM
INPUT VOLTAGE	240V
BATTERY TYPE	LITHIUM
CHARGING TIME	24HRS
DURATION TIME	3 HOURS
VIEWING DISTANCE	24M
WORK MODE	MAINTAINED
TEST MODE	SELF TESTING
IP RATING	IP20

OTHER DATA



PRODUCT ORDERING

EXIT LIGHT			
HCP-91304	3W LED	6000K	140LM

EXIT LIGHT



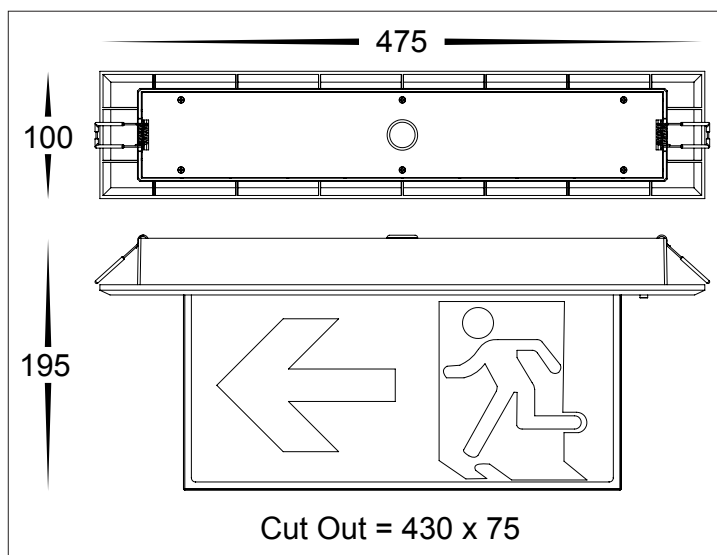
PRODUCT DATA

EXIT LIGHT	
MATERIAL	ALUMINIUM
COLOUR/FINISH	MATT WHITE
BUILT IN LED	3W
COLOUR TEMP	6000K
LUMENS	140LM
INPUT VOLTAGE	240V
BATTERY TYPE	LITHIUM
CHARGING TIME	24HRS
DURATION TIME	3 HOURS
VIEWING DISTANCE	24M
WORK MODE	MAINTAINED
TEST MODE	SELF TESTING
CUT OUT	430MM X 75MM
IP RATING	IP20

PRODUCT ORDERING

EXIT LIGHT			
HCP-91305	3W LED	6000K	140LM

OTHER DATA



TWIN FLOOD EMERGENCY SPOT



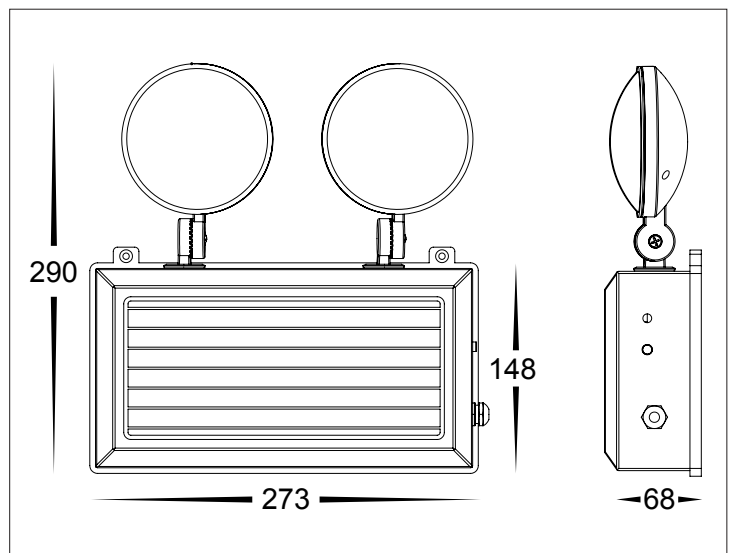
PRODUCT DATA

TWIN SPOT EMERGENCY LIGHT	
MATERIAL	POLYCARBONATE
COLOUR/FINISH	MATT WHITE
BUILT IN LED	2X 3W
COLOUR TEMP	6000K
LUMENS	2X 140LM
INPUT VOLTAGE	240V
BATTERY TYPE	LITHIUM
CHARGING TIME	24HRS
DURATION TIME	3 HOURS
WORK MODE	NON MAINTAINED
TEST MODE	MANUAL TESTING
IP RATING	IP20

PRODUCT ORDERING

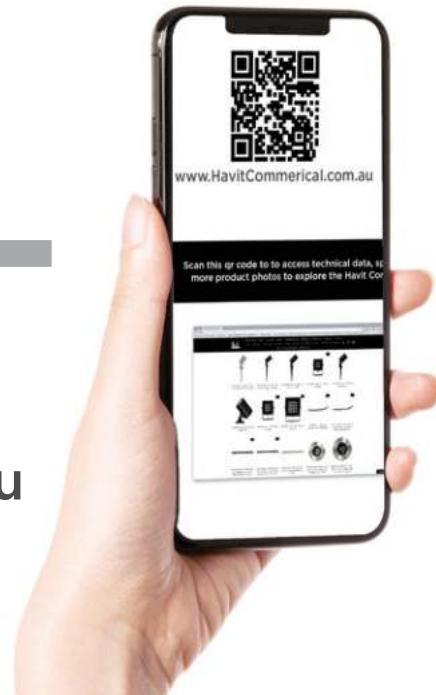
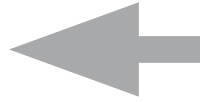
TWIN SPOT EMERGENCY LIGHT			
HCP-91306	2x3W LED	6000K	2x 140LM

OTHER DATA

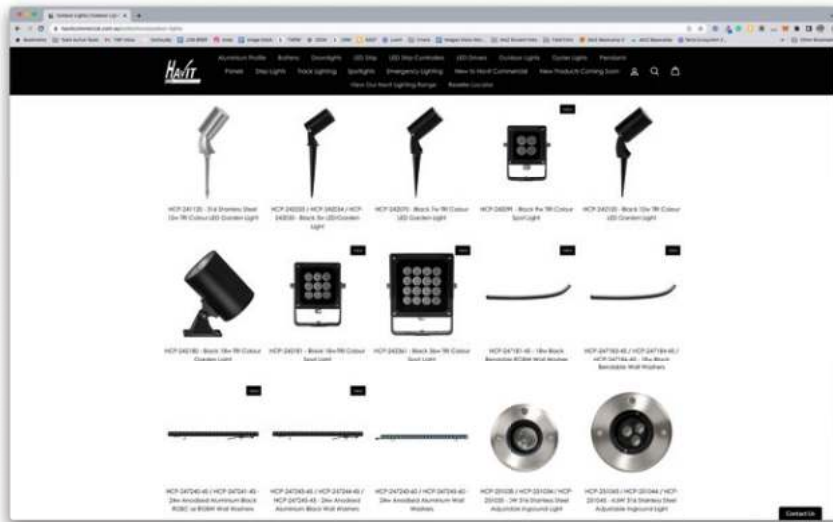




www.HavitCommercial.com.au



Scan this qr code to to access technical data, specifications, IES files and more product photos to explore the Havit Commerical range in detail



@HavitLighting



@LightingbyHavit



@HavitLighting

www.HavitCommercial.com.au



Warranty Terms & Conditions

HAVIT COMMERCIAL offers 5 years limited replacement warranty on products that fail due to defective materials or workmanship. The warranty period begins from the date of purchase.

Scan QR code to see
Havit Commercial Warranty Terms & Conditions



www.HavitCommerical.com.au/warranty

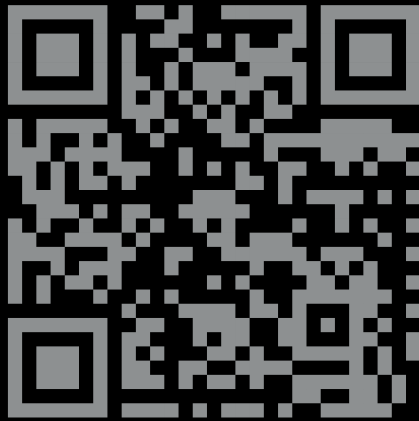
IP (INGRESS PROTECTION) RATINGS GUIDE

SOLIDS		WATER			
	Protected against a solid object greater than 50mm, such as a hand	1		Protected against vertically falling drops of water. Limited ingress permitted	1
	Protected against a solid object greater than 12.5mm, such as a finger	2		Protected against vertically falling drops of water with enclosure tilted 15° from vertical. Limited ingress permitted	2
	Protected against a solid object greater than 2.5mm, such as a screwdriver	3		Protected against sprays to 60° from the vertical. Limited ingress permitted	3
	Protected against a solid object greater than 1.0mm, such as a wire	4		Protected against water splashed from all directions. Limited ingress permitted	4
	Dust protected. Limited ingress of dust permitted	5		Protected against jets of water. Limited ingress permitted	5
	Dust Tight. Zero ingress of dust permitted	6		Protected against strong jets of water. Limited ingress permitted	6
<div style="display: flex; align-items: center; justify-content: center;"> <div style="border: 2px solid yellow; padding: 10px; margin-right: 10px;"> <h1 style="margin: 0;">IP</h1> <p style="margin: 0; font-weight: bold;">INGRESS PROTECTION</p> </div> <div style="font-size: 48px; margin-right: 20px;">67</div> </div>			Protected against the effects of immersion between 15cm and 1m for up to 1hr	7	
			Protected against long periods of immersion under pressure	8	

Chart for reference only. Please refer to AS60529. Diagrams used to illustrate the IP Rating do not have any relation to standards or the IP Rating system and should only be used as a guide.

IK Ratings is the measurement of an object being dropped or fallen onto a fitting from a certain distance and up to a certain weight without the glass breaking.

IK CODE	
00	No Protection
	<p>0.25 kg 56mm</p> <p>Protected against impact of object with weight of up to 0.25kg mass dropped from 56mm above the impacted surface.</p>
	<p>0.25 kg 80mm</p> <p>Protected against impact of object with weight of up to 0.25kg mass dropped from 80mm above the impacted surface.</p>
	<p>0.25 kg 140mm</p> <p>Protected against impact of object with weight of up to 0.2kg mass dropped from 140mm above the impacted surface.</p>
	<p>0.25 kg 200mm</p> <p>Protected against impact of object with weight of up to 0.25kg mass dropped from 200mm above the impacted surface.</p>
	<p>0.25 kg 280mm</p> <p>Protected against impact of object with weight of up to 0.25kg mass dropped from 280mm above the impacted surface.</p>
06	<p>0.25 kg 400mm</p> <p>Protected against impact of object with weight of up to 0.25kg mass dropped from 400mm above the impacted surface.</p>
	<p>0.5 kg 400mm</p> <p>Protected against impact of object with weight of up to 0.5kg mass dropped from 400mm above the impacted surface.</p>
	<p>1.7 kg 300mm</p> <p>Protected against impact of object with weight of up to 1.7kg mass dropped from 300mm above the impacted surface.</p>
	<p>5 kg 200mm</p> <p>Protected against impact of object with weight of up to 5kg mass dropped from 200mm above the impacted surface.</p>
10	<p>5 kg 400mm</p> <p>Protected against impact of object with weight of up to 5kg mass dropped from 400mm above the impacted surface.</p>



2023

 **@HavitLighting**

 **@HavitCommercial**

 **@HavitCommercial**

www.HavitCommercial.com.au