



Replacement
Warranty*

TRICOLOUR LED WALL BUNKER LIGHT WITH PIR SENSOR

The Sonar Tricolour LED wall bunker light with PIR motion sensor is a durable outdoor light with a modern appearance. This bunker light features the latest inbuilt PIR sensor control technology and is constructed from tough polypropylene with a durable UV resistant polycarbonate opal diffuser encasing the Tricolour LED light.



Tricolour
LED



Energy
Efficient



Watt/
Lumens



IP
Rating



Beam
Angle



LED
Lamp Life



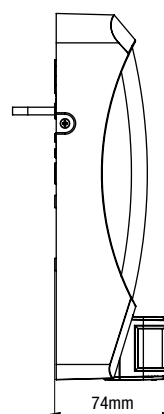
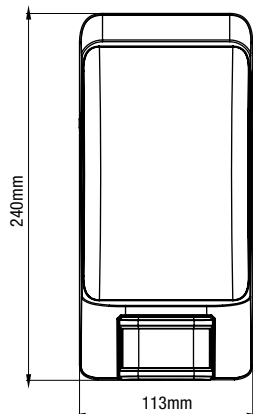
PIR Motion
Sensor

- Modern matt black design
- Made from tough UV resistant durable polycarbonate & polypropylene material
- 12W Tricolour LED light
- Up to 12m detection distance
- 180° sensor detection angle
- Adjustable light duration time
- Day to night adjustable
- Suitable for any residential or commercial application

INCLUDES

Hardware pack including 2 x wall plugs & 2 x screws

DIMENSIONS



TRICOLOUR LED WALL BUNKER LIGHT WITH PIR SENSOR

FEATURES

- Modern design
- Made from tough UV resistant durable polycarbonate & polypropylene material
- 12W / 800lm Tricolour LED light
- PIR built in sensor control with adjustable detection sensitivity
- Adjustable time delay
- Up to 12m detection distance
- Energy saving integrated Tricolour SMD LED's
- IP44 weather resistant
- Polycarbonate opal diffuser
- Large terminal block for easy installation



SPECIFICATIONS

Model name	Sonar
Model number	MLXS34510MS
Power (wattage)	12W
Voltage	220v-240v
Frequency	50Hz
Switchable Tricolour lumens	3000k-700lm 4000k-800lm 5000k-800lm
Colour temperature	3000k / 4000k / 5000k
LED light beam angle	120°
Product size (mm)	L240 x H113 x D74
Material	Polycarbonate & polypropylene
LED Type	80 x 0.15W
CRI	≥80
Approximate lamp life	25000hrs
Weather resistance rating	IP44
Sensor type	PIR passive infrared sensor
Sensor detection angle	180°
Duration time	10±5s to 4±1min, adjustable
Detection distance max	12m
Lux control level	From day to night adjustable with non-isolated driver

INSTALLATION

Installation	By licensed electrician only
Warranty	2 year replacement warranty*

* For further information regarding warranty terms and conditions, please refer to enclosed warranty statement. Warranty is void unless installed by a licensed electrician.

SHIPPING

Packaging size	L118mm x H77mm x D245mm
Gross weight	8kg
Carton qty	6

AVAILABLE IN MATT BLACK



Matt Black

Model	Colour	Barcode
MLXS34510MS	Matt Black	9312375506164



Replacement
Warranty*

TRICOLOUR LED WALL BUNKER LIGHT

The Sonar Tricolour LED wall bunker light is a durable outdoor light with a modern appearance. This bunker light is constructed from tough polypropylene with a durable UV resistant polycarbonate opal diffuser encasing the Tricolour LED light.



**TRICOLOUR
SWITCHABLE
LED**



Tricolour
LED



Energy
Efficient



12W
800lm
Watt/
Lumens



120°
Beam
Angle



25,000
HOURS
LED
Lamp Life



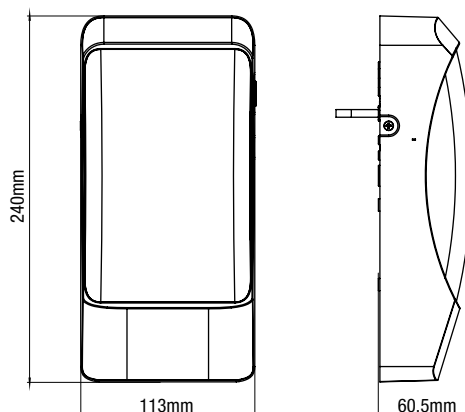
IP
44
IP
Rating

- Modern matt black design
- Made from tough UV resistant durable polycarbonate & polypropylene material
- 12W Tricolour LED light
- Suitable for any residential or commercial application

INCLUDES

Hardware pack including 2 x wall plugs
& 2 x screws

DIMENSIONS



TRICOLOUR LED WALL BUNKER LIGHT

FEATURES

- Modern design
- Made from tough UV resistant durable polycarbonate & polypropylene material
- 12W / 800lm Tricolour LED light
- Energy saving integrated Tricolour SMD LED's
- IP44 weather resistant
- Polycarbonate opal diffuser
- Large terminal block for easy installation



SPECIFICATIONS

Model name	Sonar
Model number	MLXS34510M
Power (wattage)	12W
Voltage	220v-240v
Frequency	50Hz
Switchable Tricolour lumens	3000k-700lm 4000k-800lm 5000k-800lm
Colour temperature	3000k / 4000k / 5000k
LED light beam angle	120°
Product size (mm)	L240 x H113 x D60
Material	Polycarbonate & polypropylene
LED Type	80 x 0.15W
CRI	≥80
Approximate lamp life	25000hrs
Weather resistance rating	IP44
Driver type	non-isolated driver

INSTALLATION

Installation	By licensed electrician only
Warranty	2 year replacement warranty*

* For further information regarding warranty terms and conditions, please refer to enclosed warranty statement. Warranty is void unless installed by a licensed electrician.

SHIPPING

Packaging size	L118mm x H65mm x D245mm
Gross weight	8kg
Carton qty	6

AVAILABLE IN MATT BLACK

Matt Black



Model	Colour	Barcode
MLXS34510M	Matt Black	9312375506157